

# DESIGNER



RANGE HOOD SHOP DRAWINGS

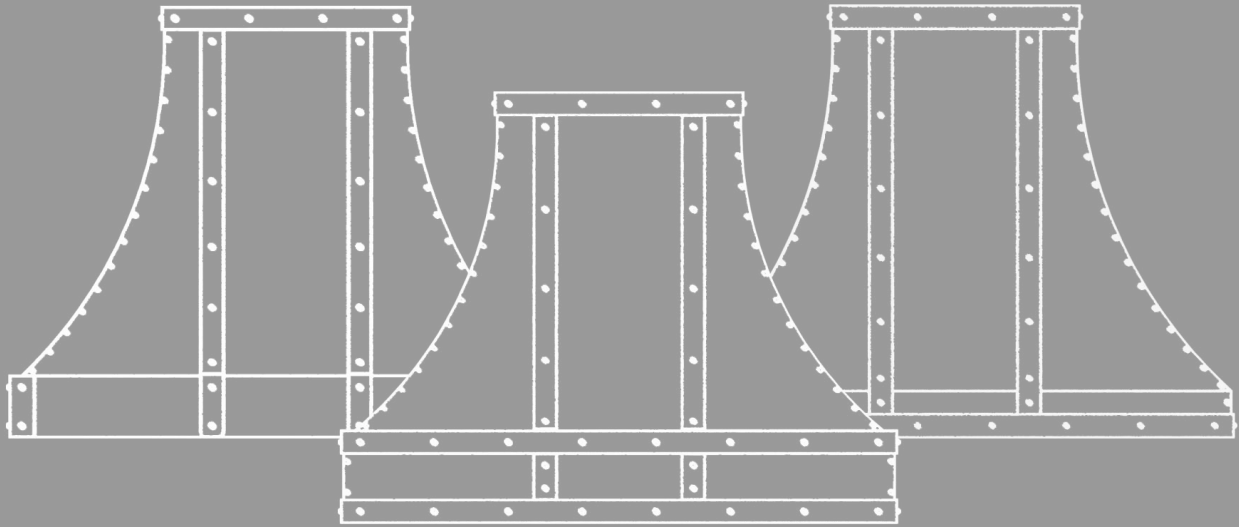
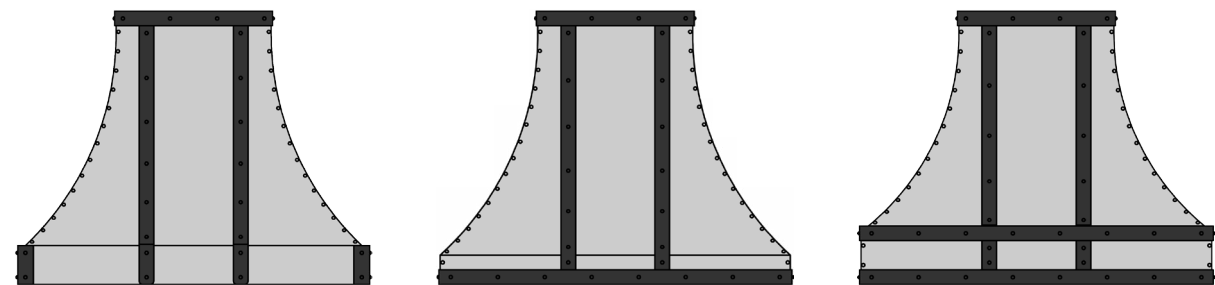


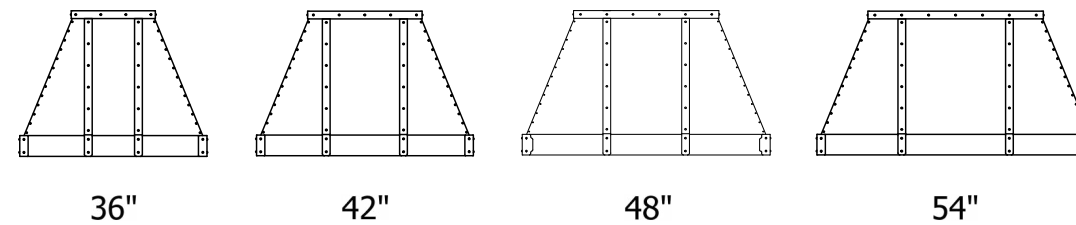
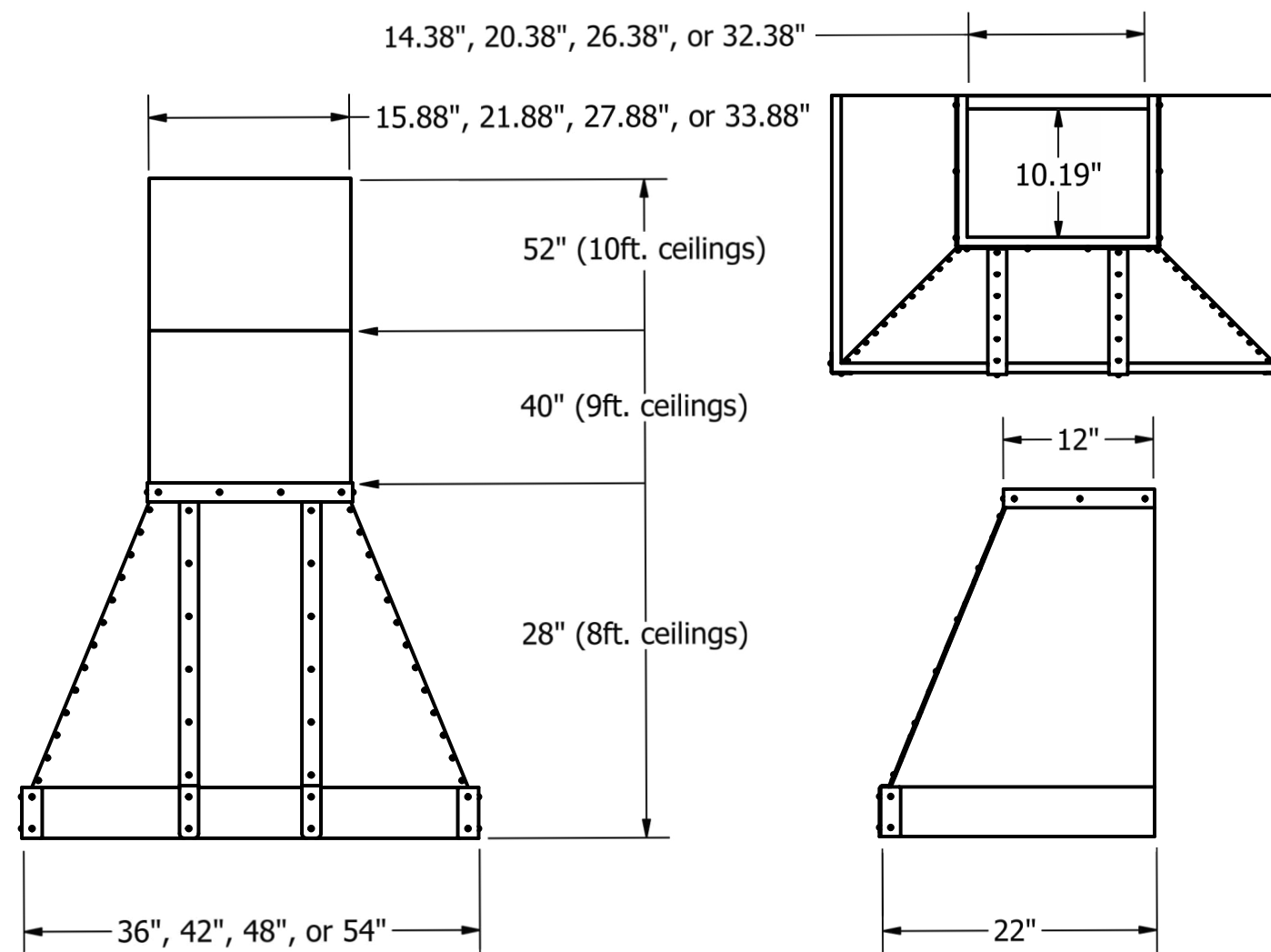
TABLE OF CONTENTS

ANGLED 01-03  
 BARREL 04-06  
 BELL 07-09  
 DOME 10-12  
 OGEE 13-15  
 ROLL 16-18  
 S-CURVE 19-21  
 SLOPE 22-24  
 STRAIGHT 25-27  
 SWEEP 28-30  
 MOUNTING STRUCTURE 31  
 METAL FINISHES 32  
 VENTILATION 33

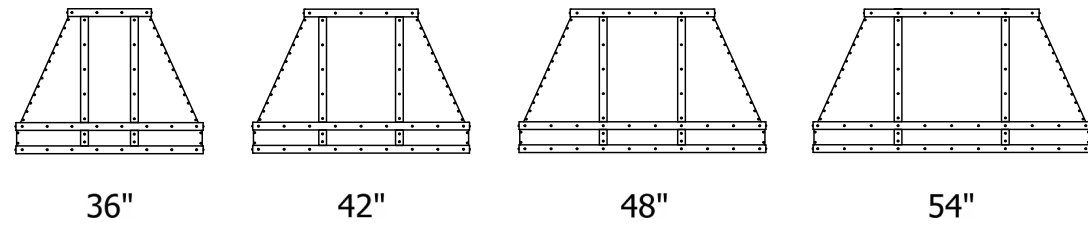
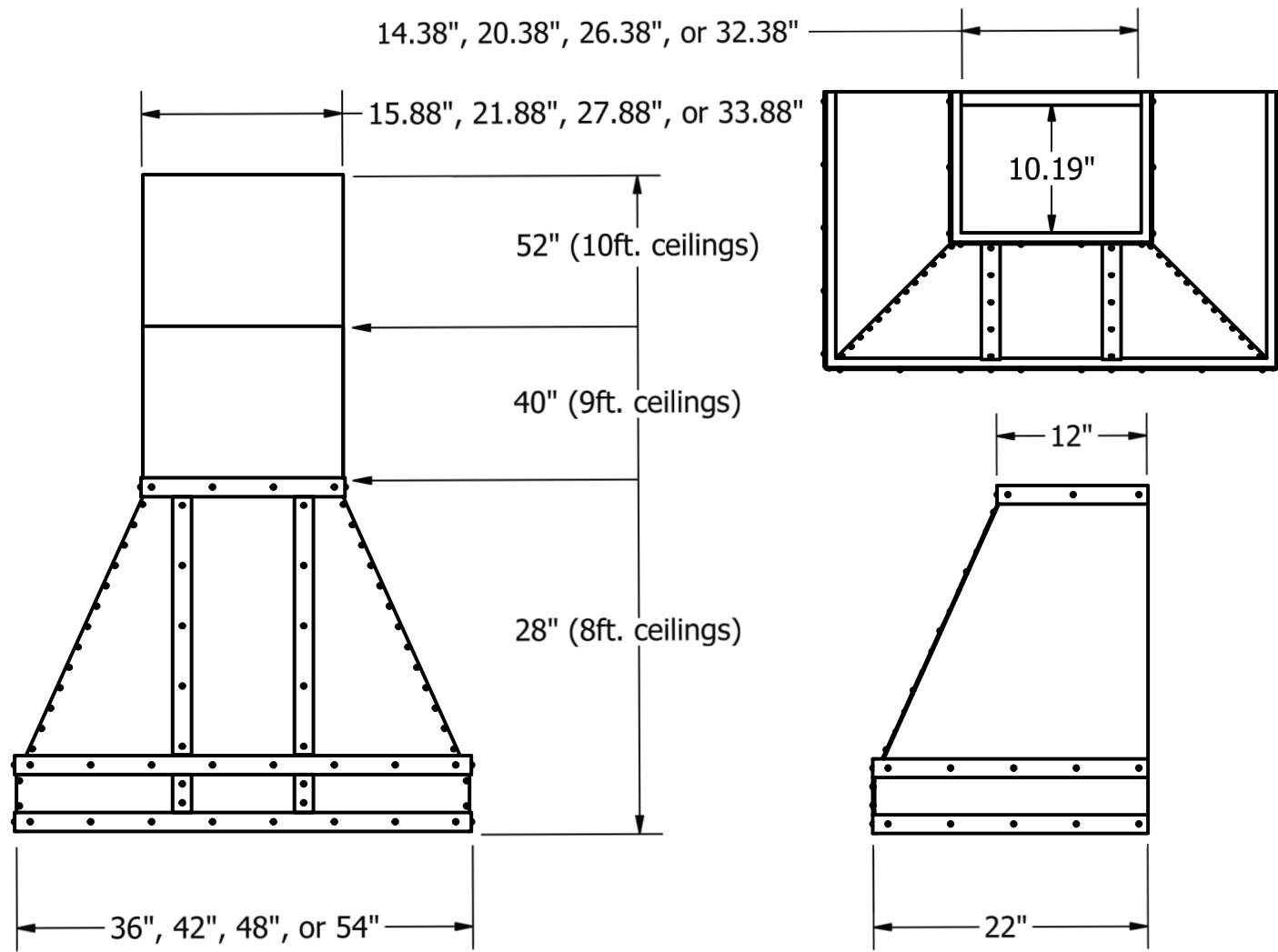


Hoods are shown alphabetically by body shape and trim package.

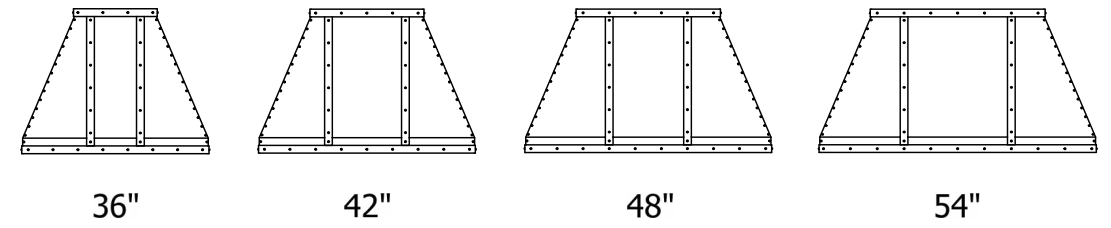
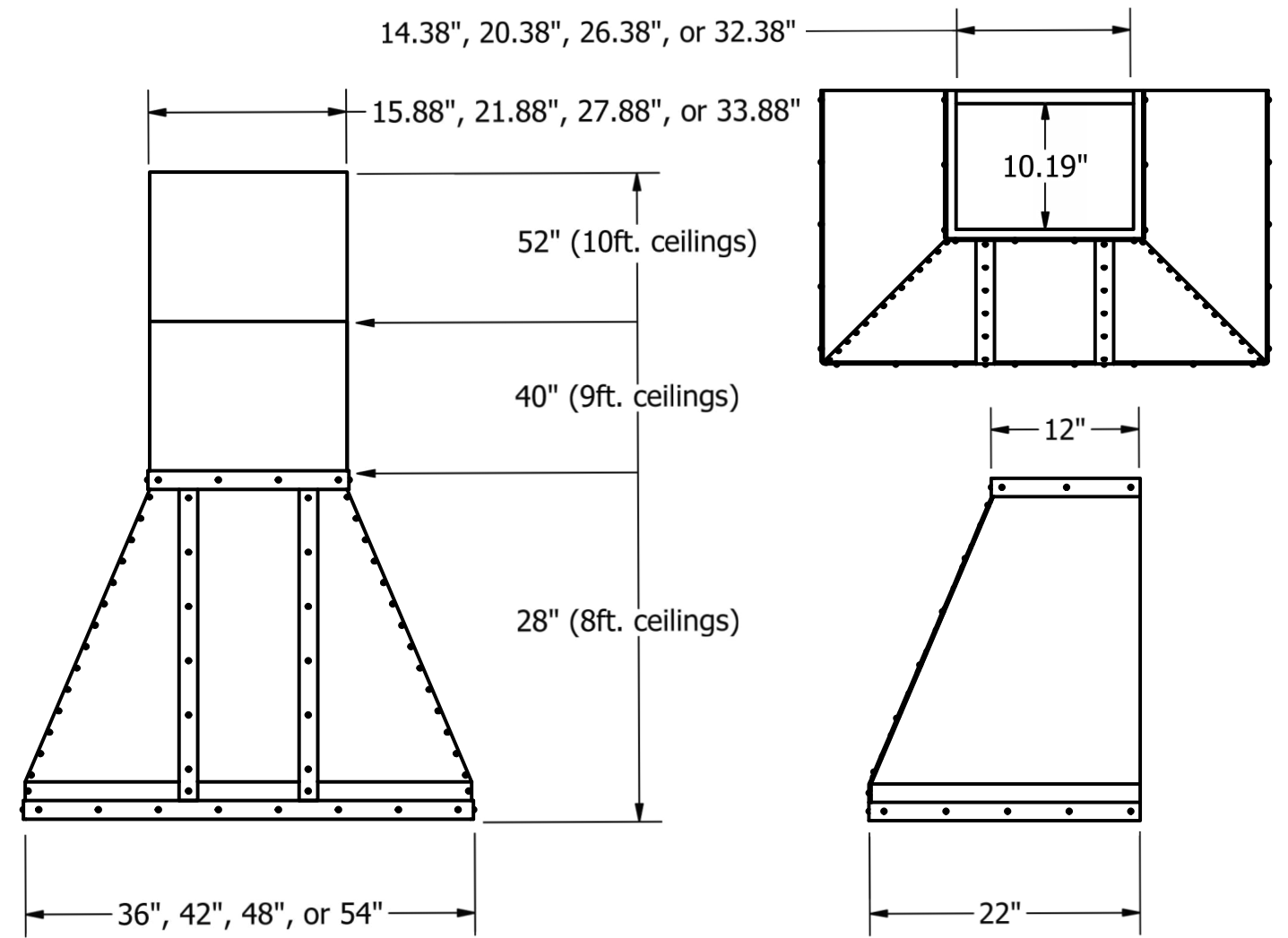
ANGLED / CRAFTSMAN



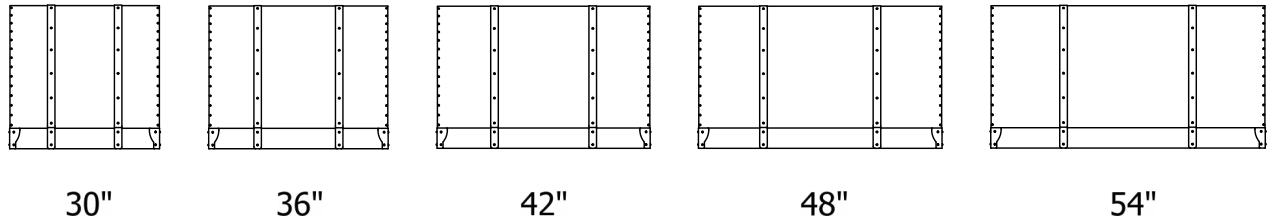
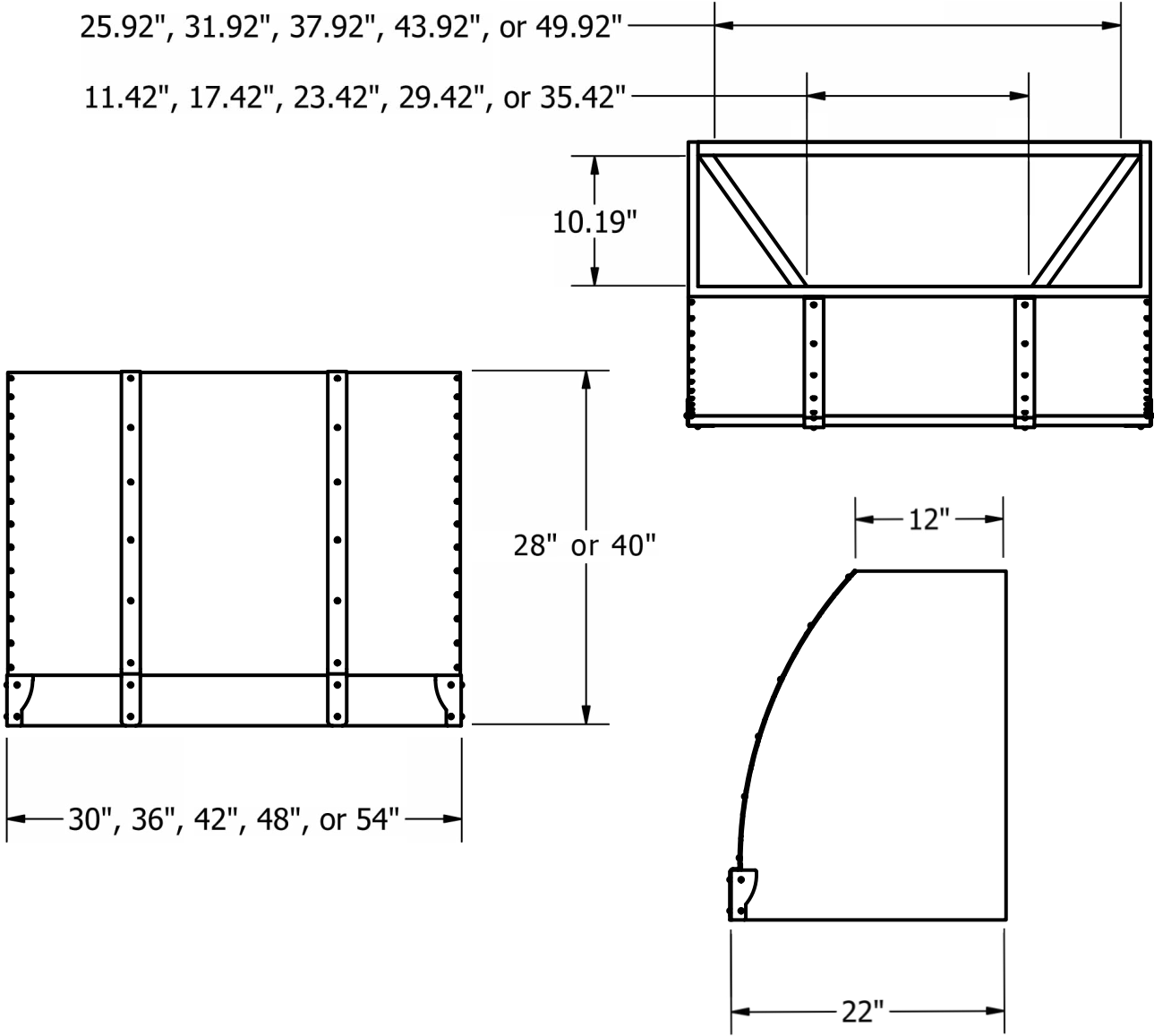
ANGLED / TRADITIONAL



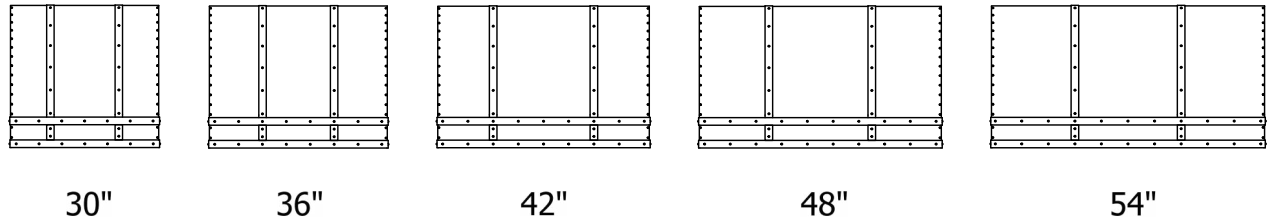
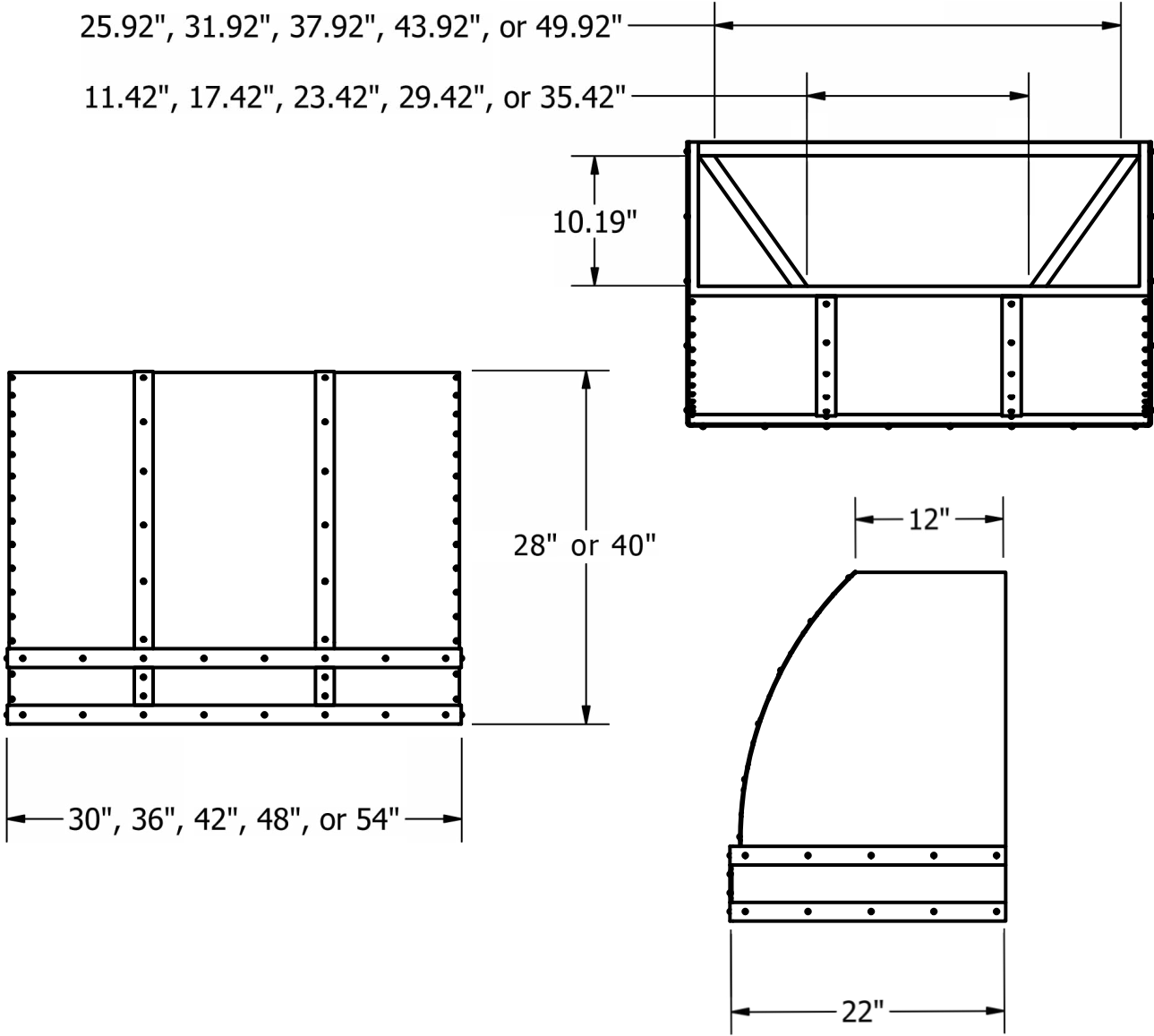
ANGLED / TRANSITIONAL



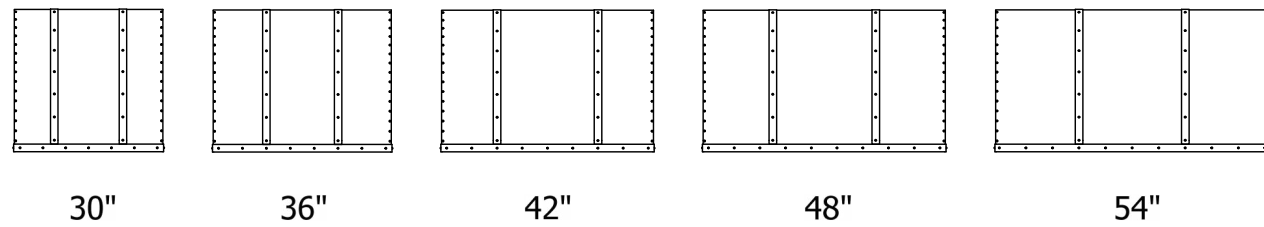
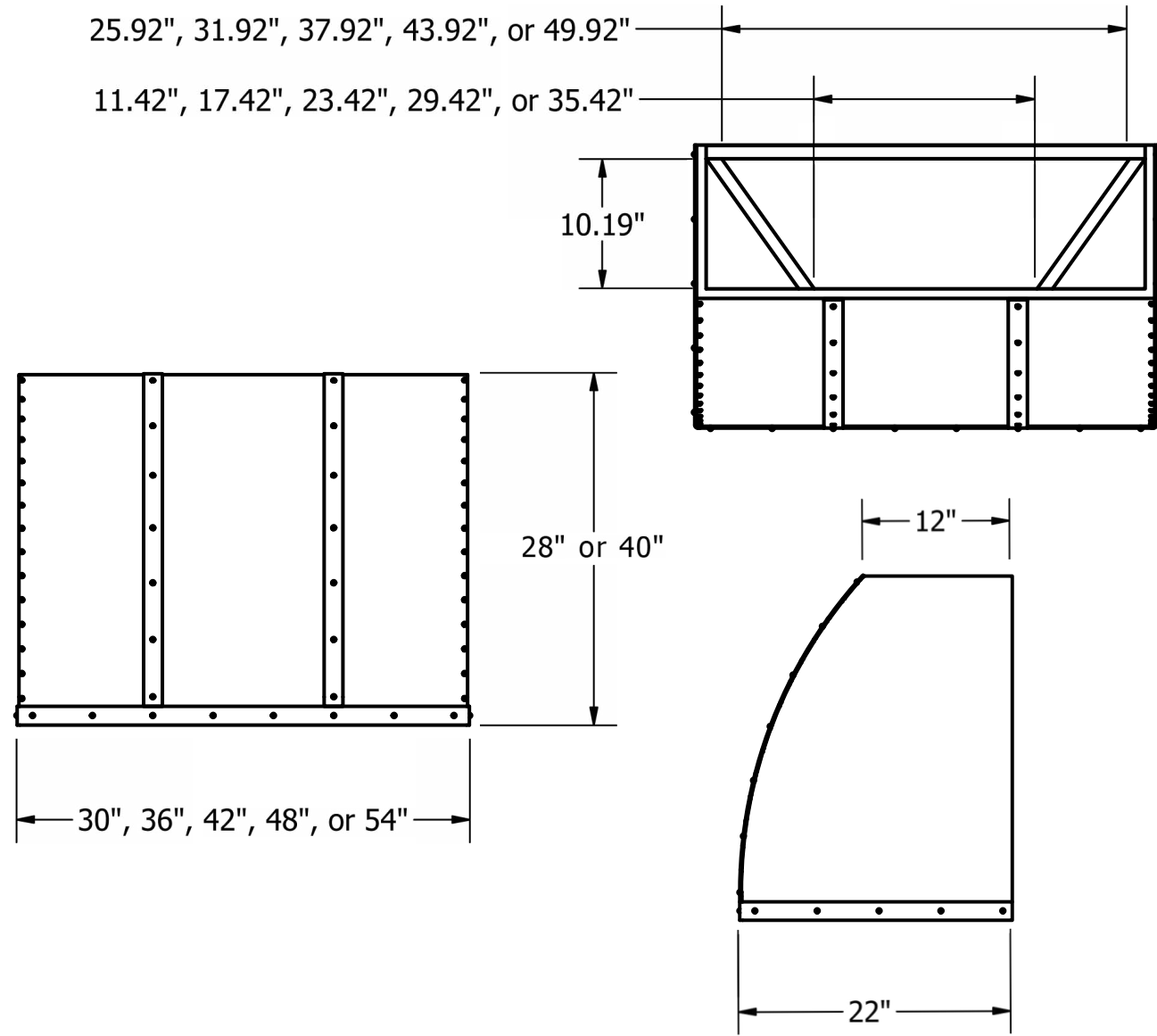
BARREL / CRAFTSMAN



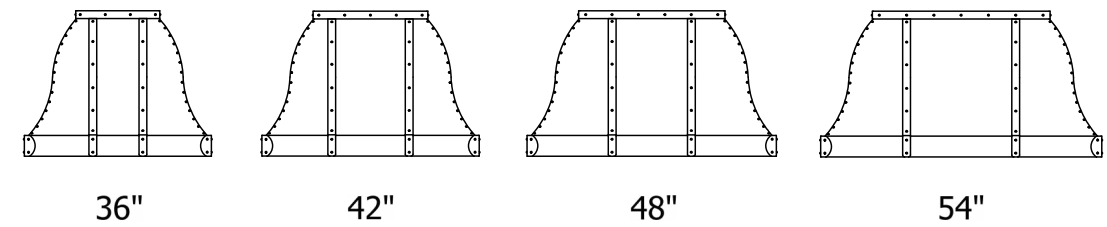
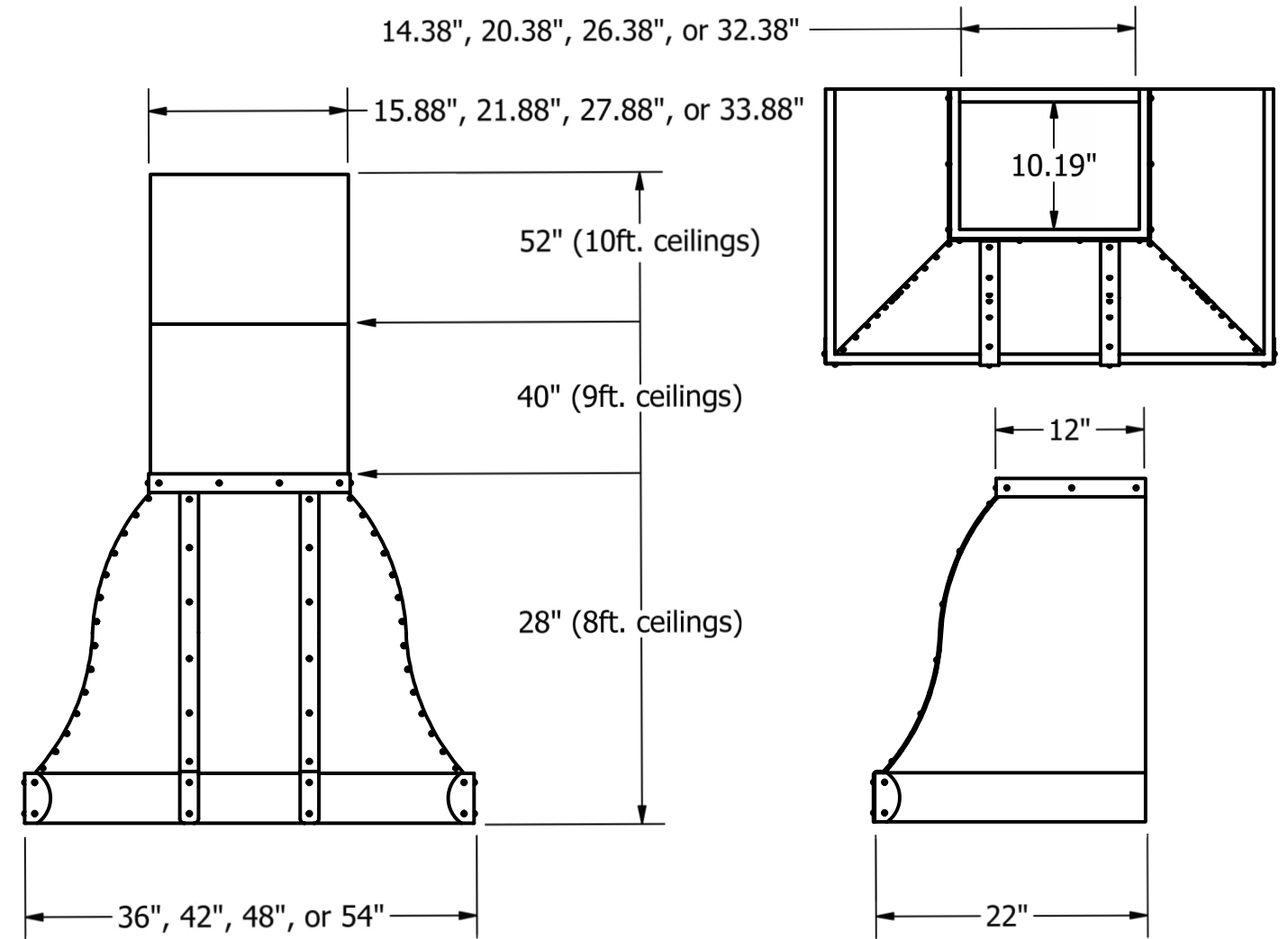
BARREL / TRADITIONAL



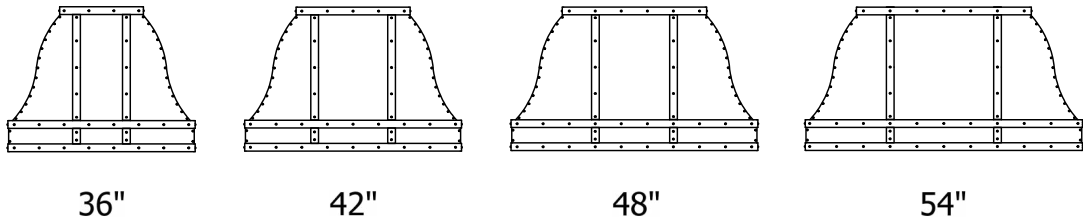
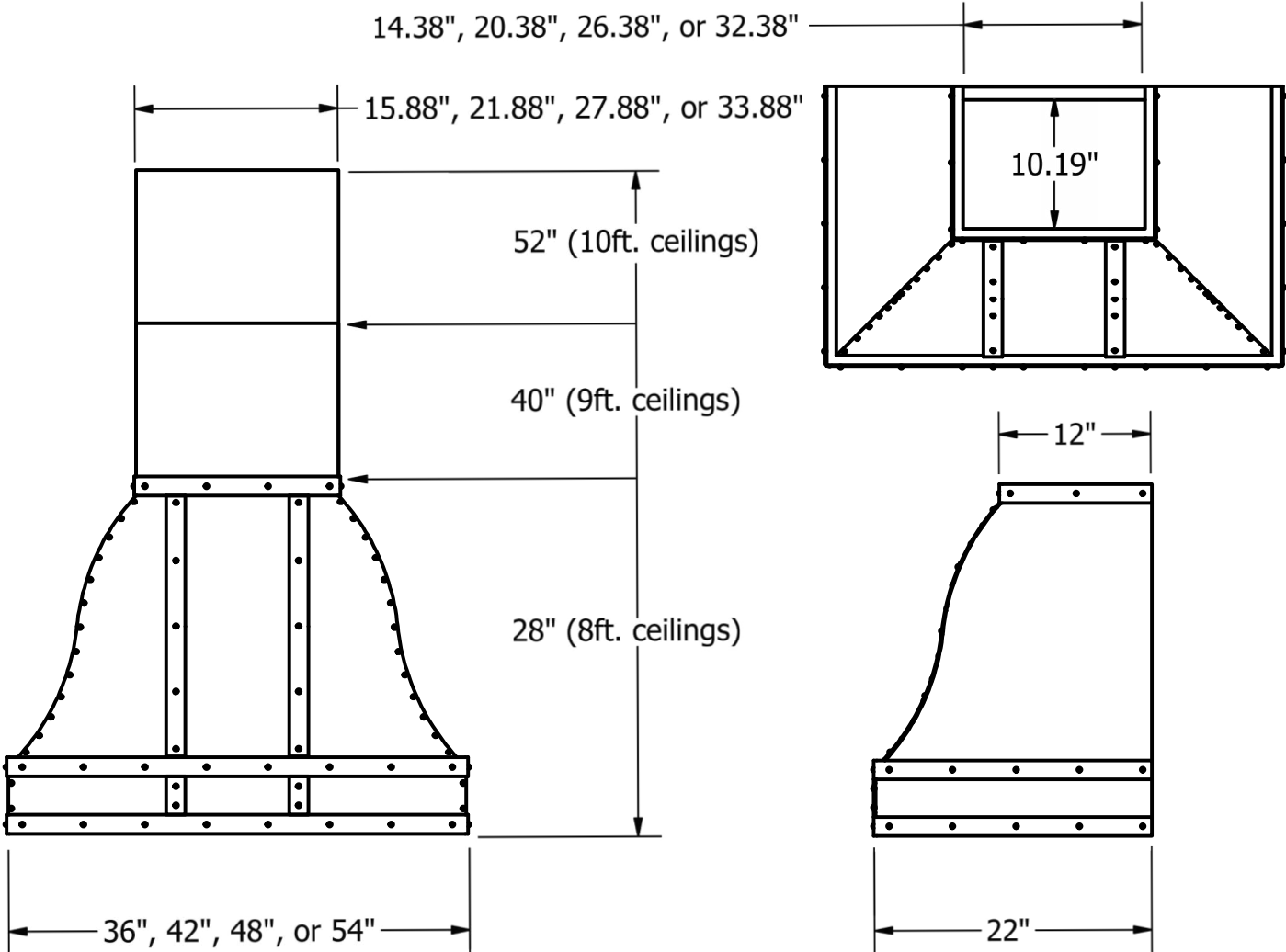
BARREL / TRANSITIONAL



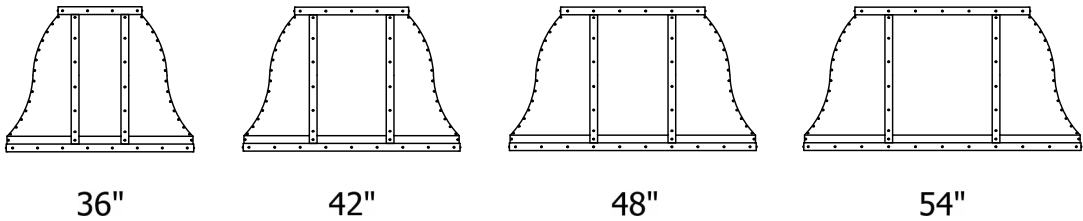
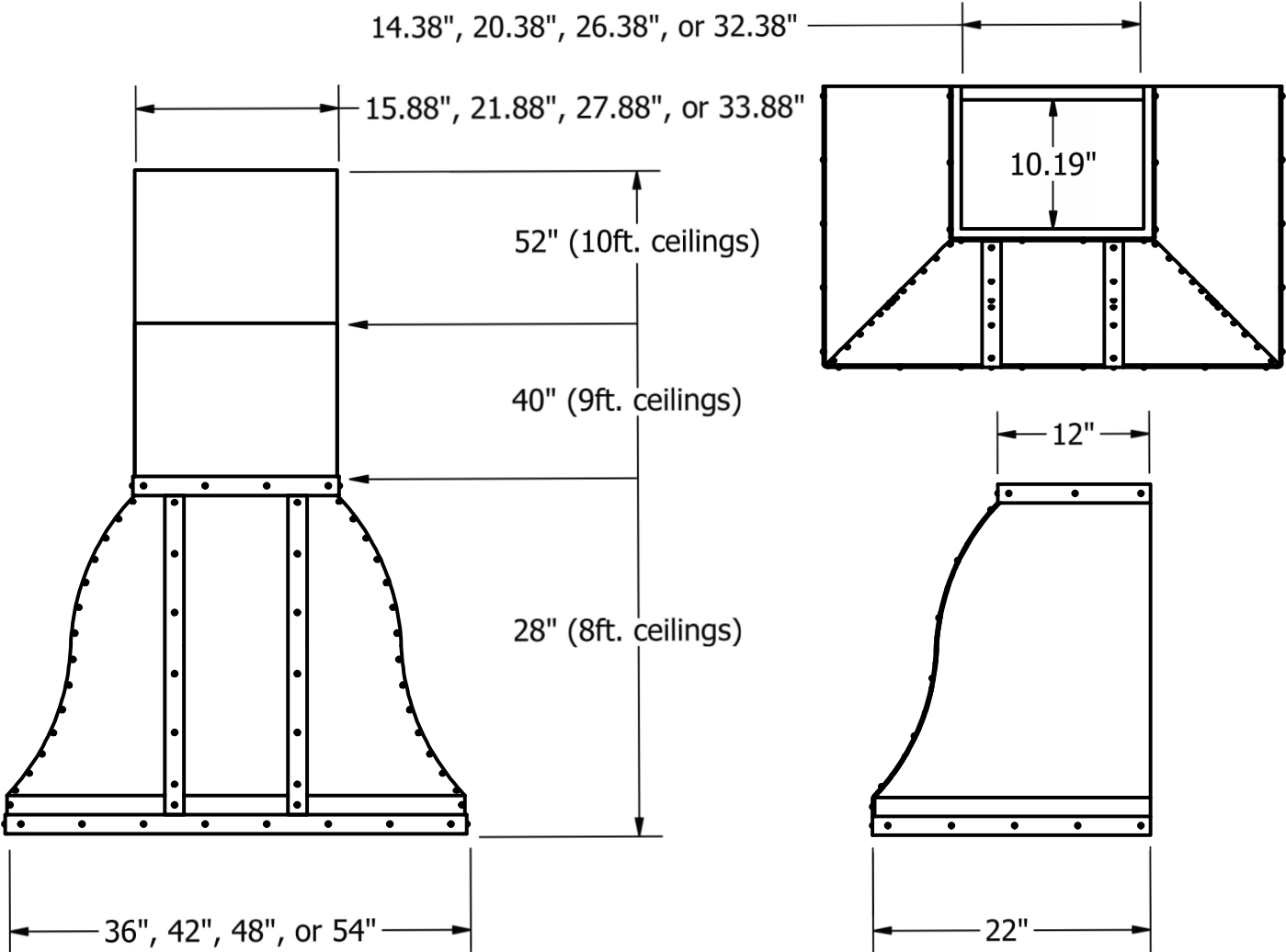
BELL / CRAFTSMAN



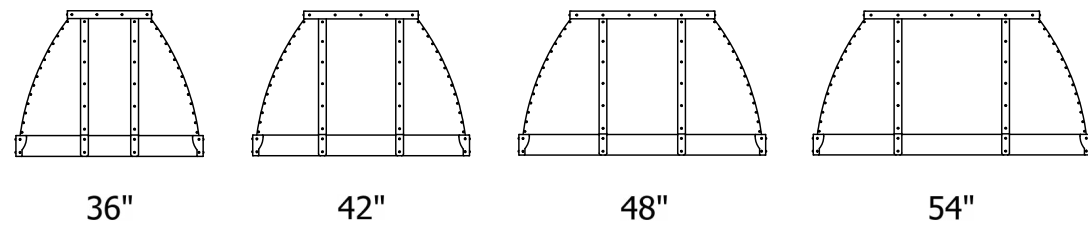
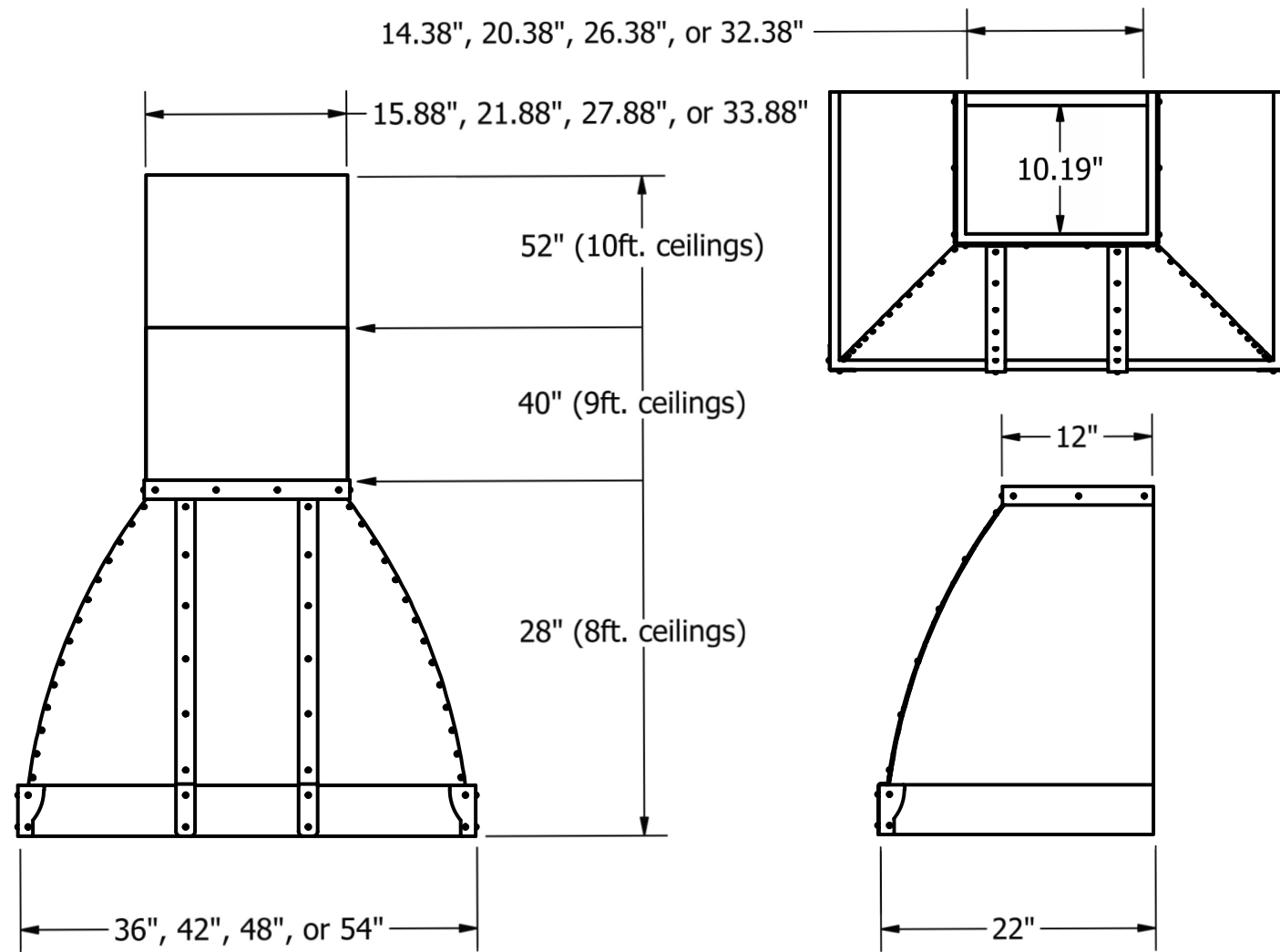
BELL / TRADITIONAL



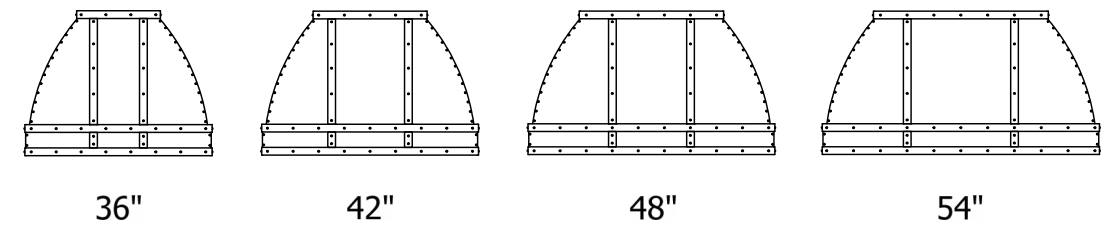
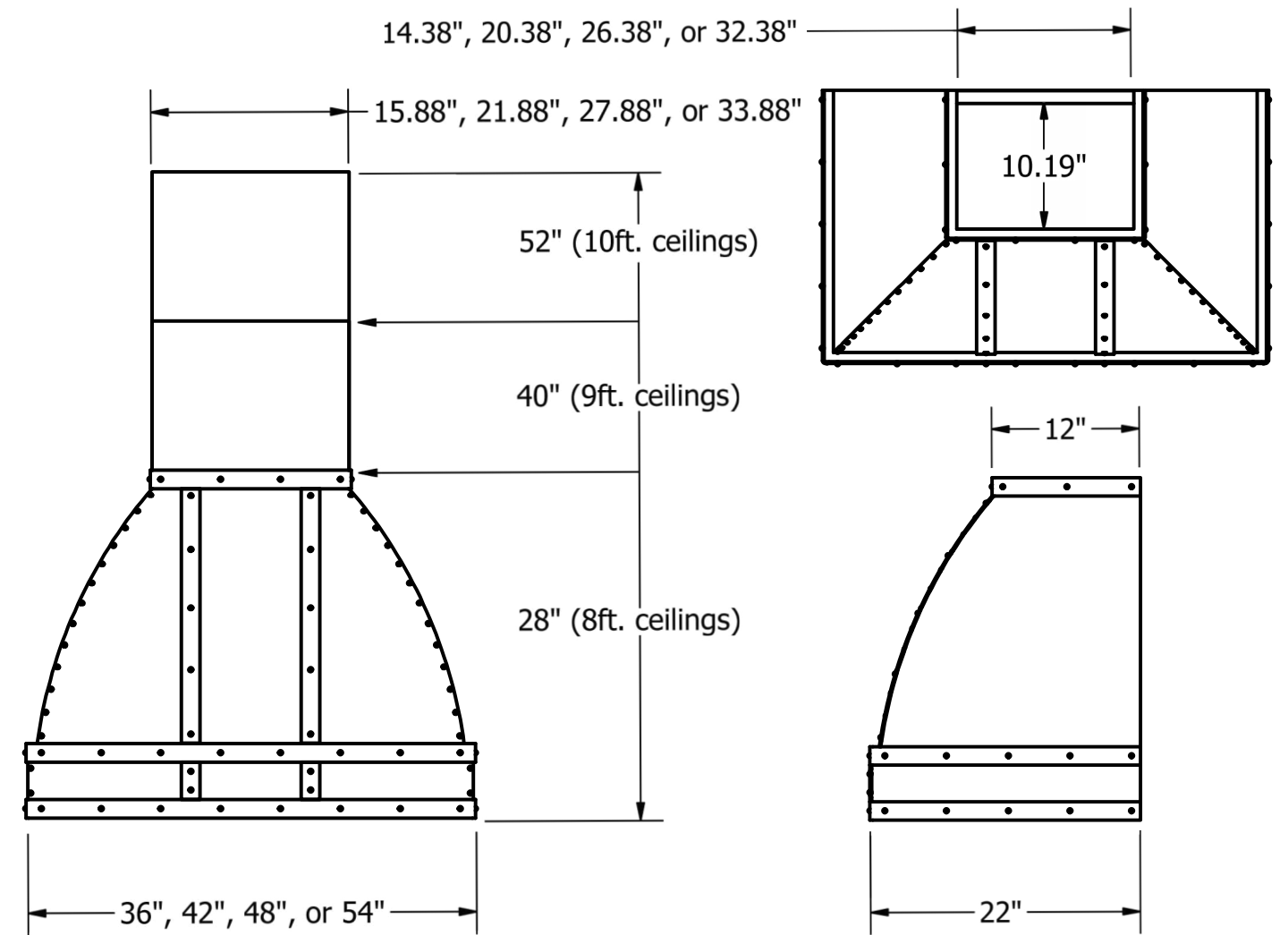
BELL / TRANSITIONAL



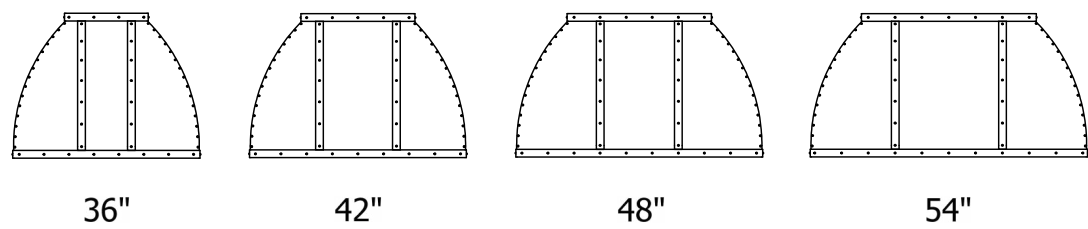
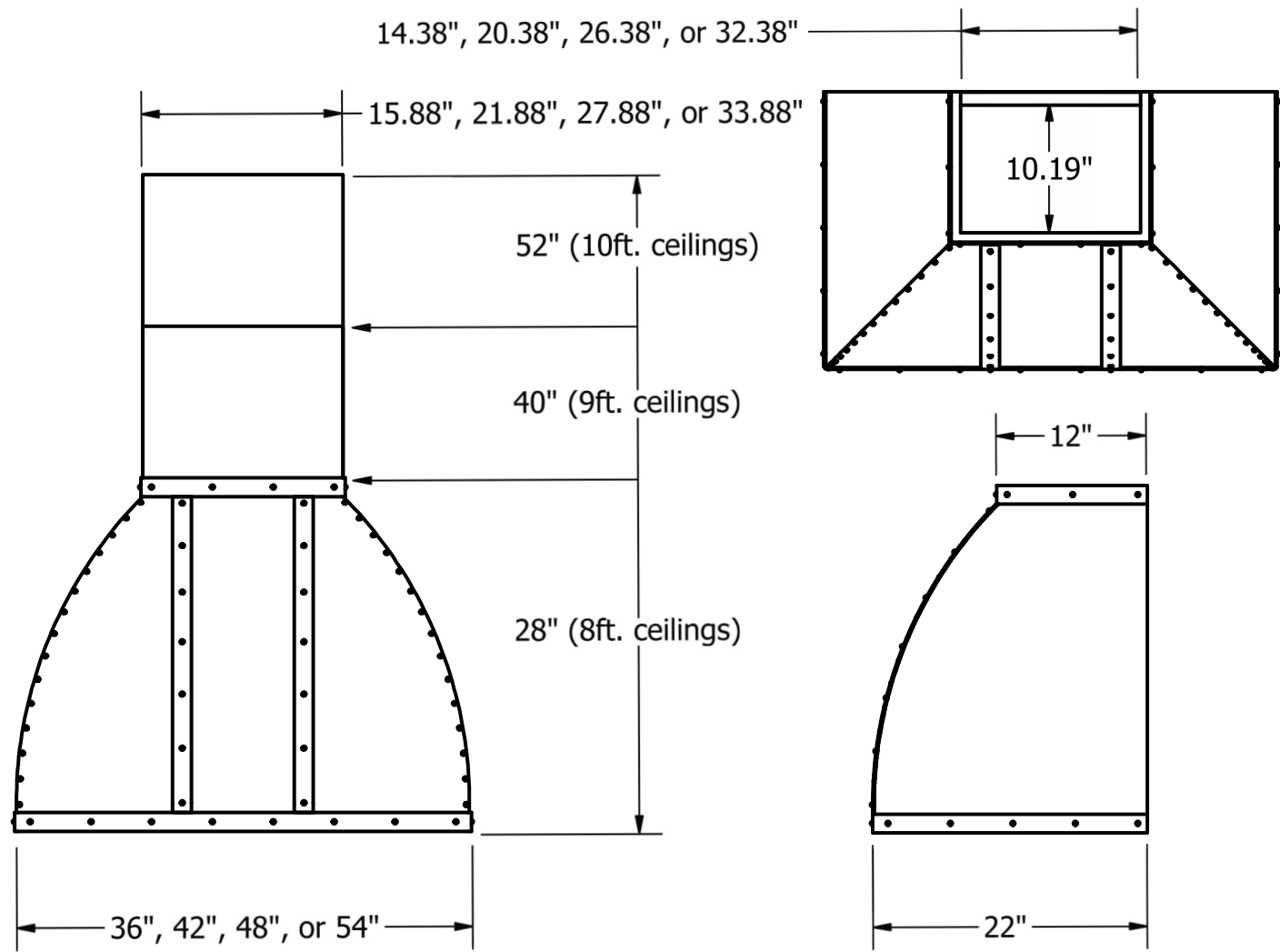
DOME / CRAFTSMAN



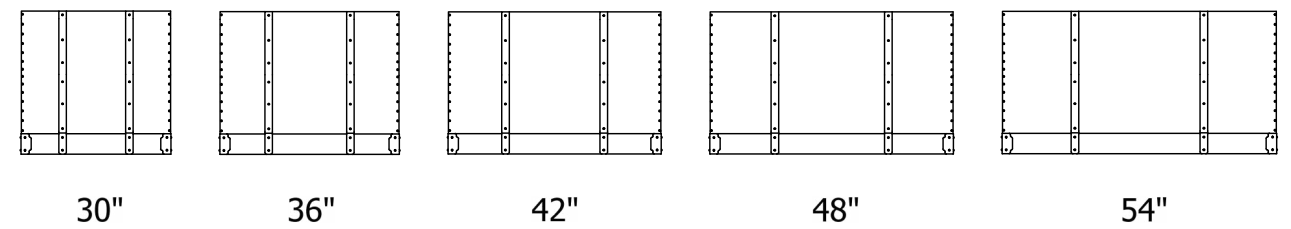
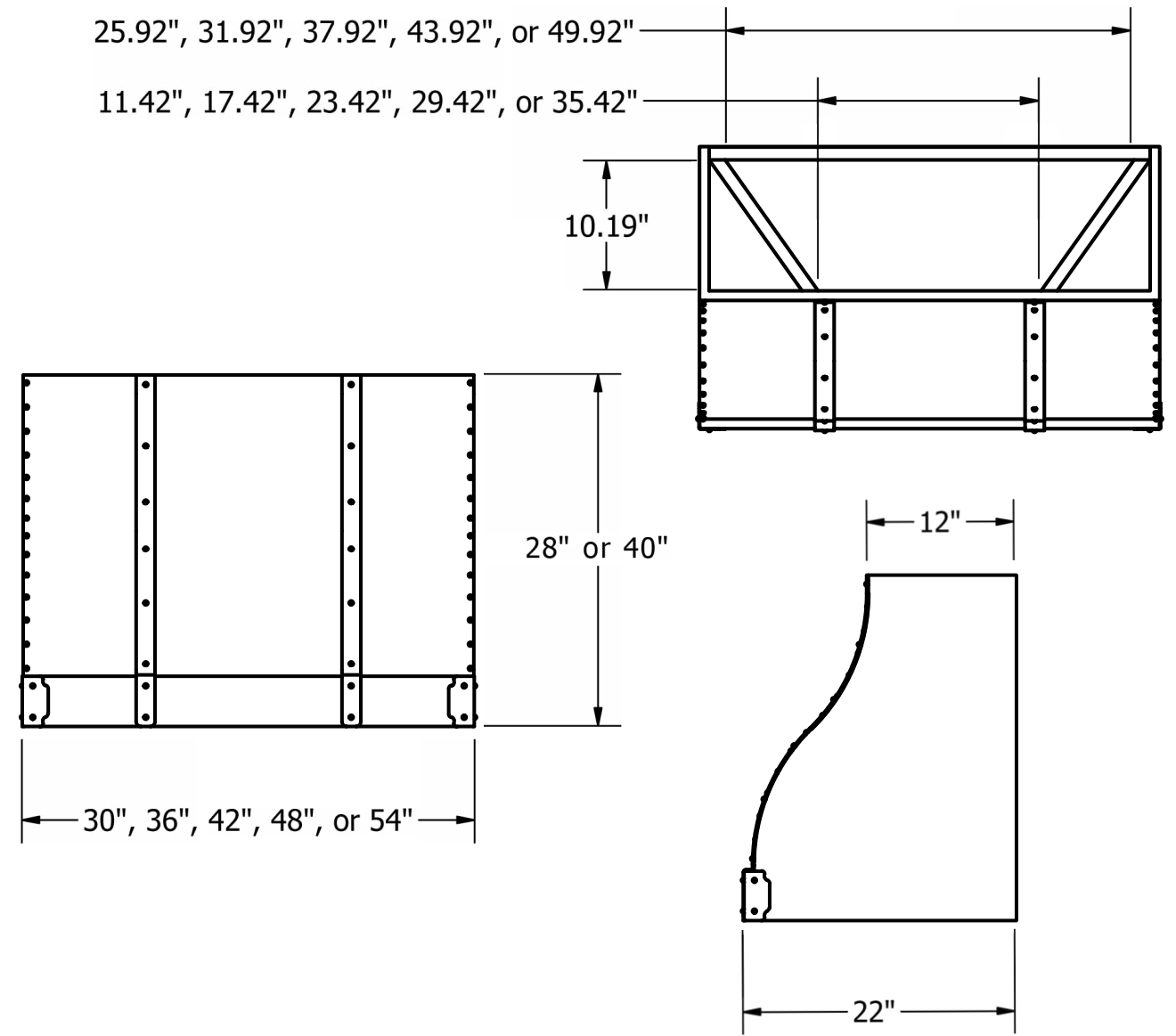
DOME / TRADITIONAL



DOME / TRANSITIONAL

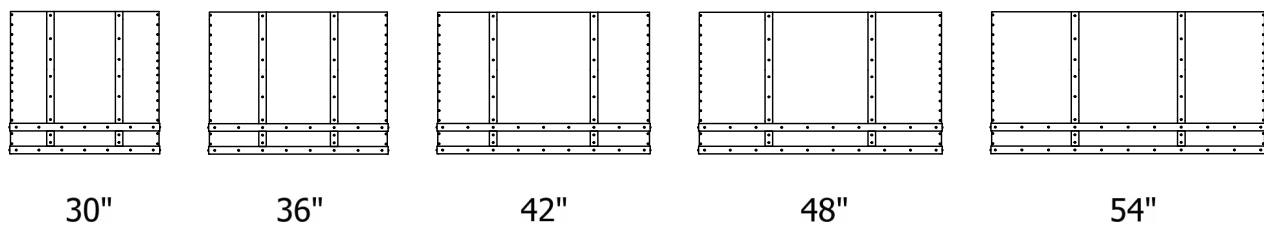
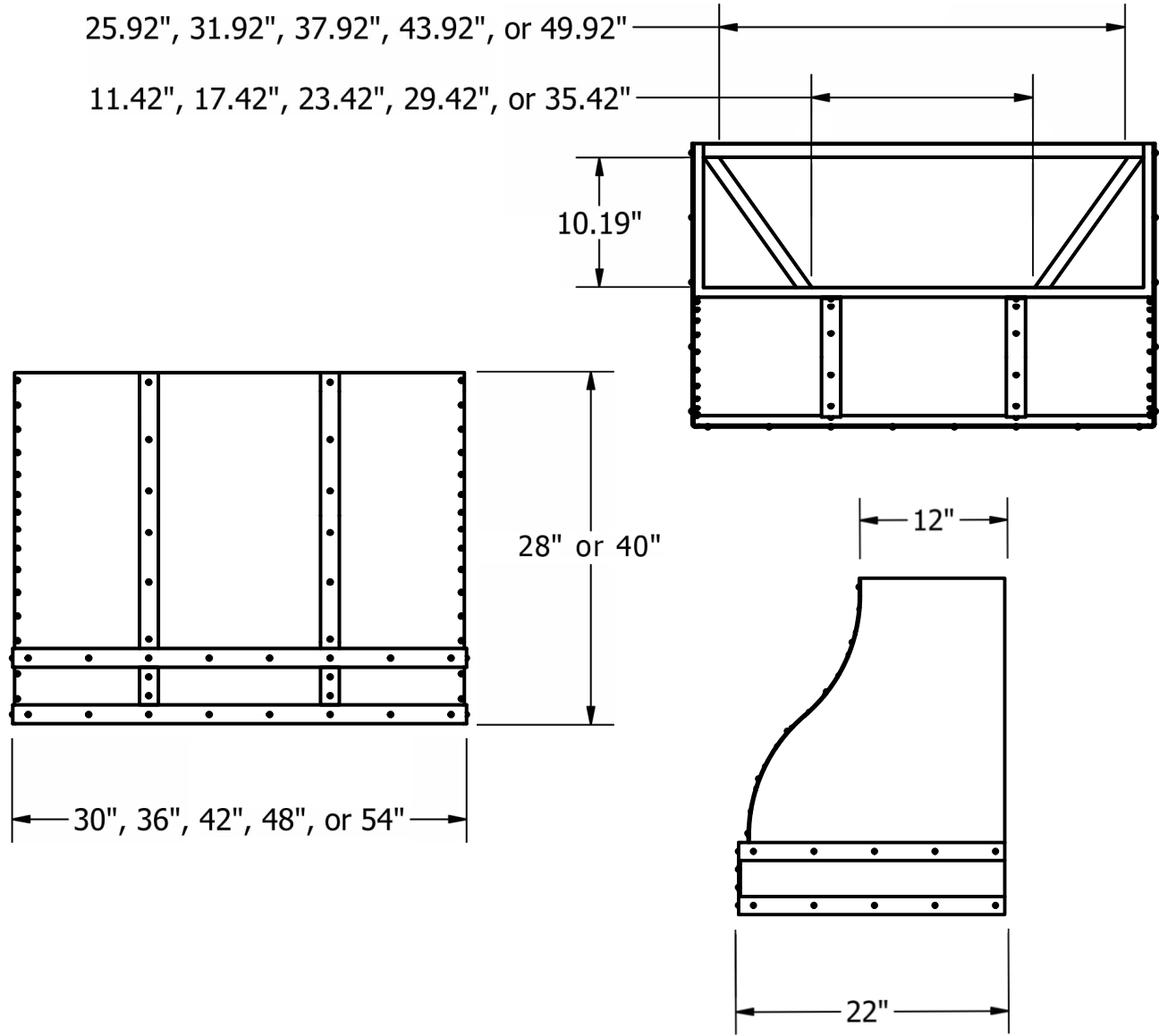


OGEE / CRAFTSMAN

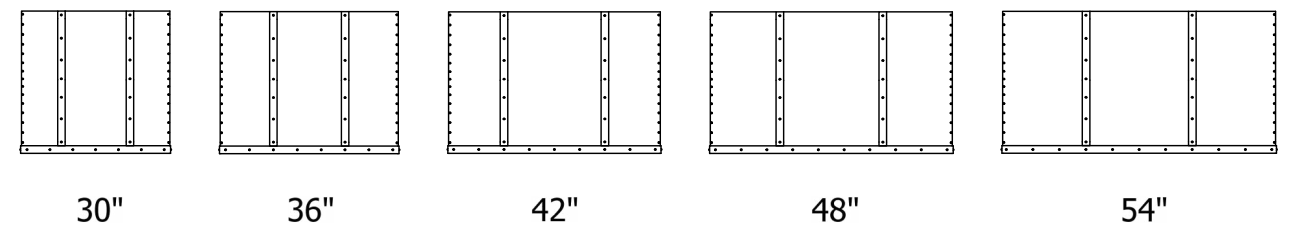
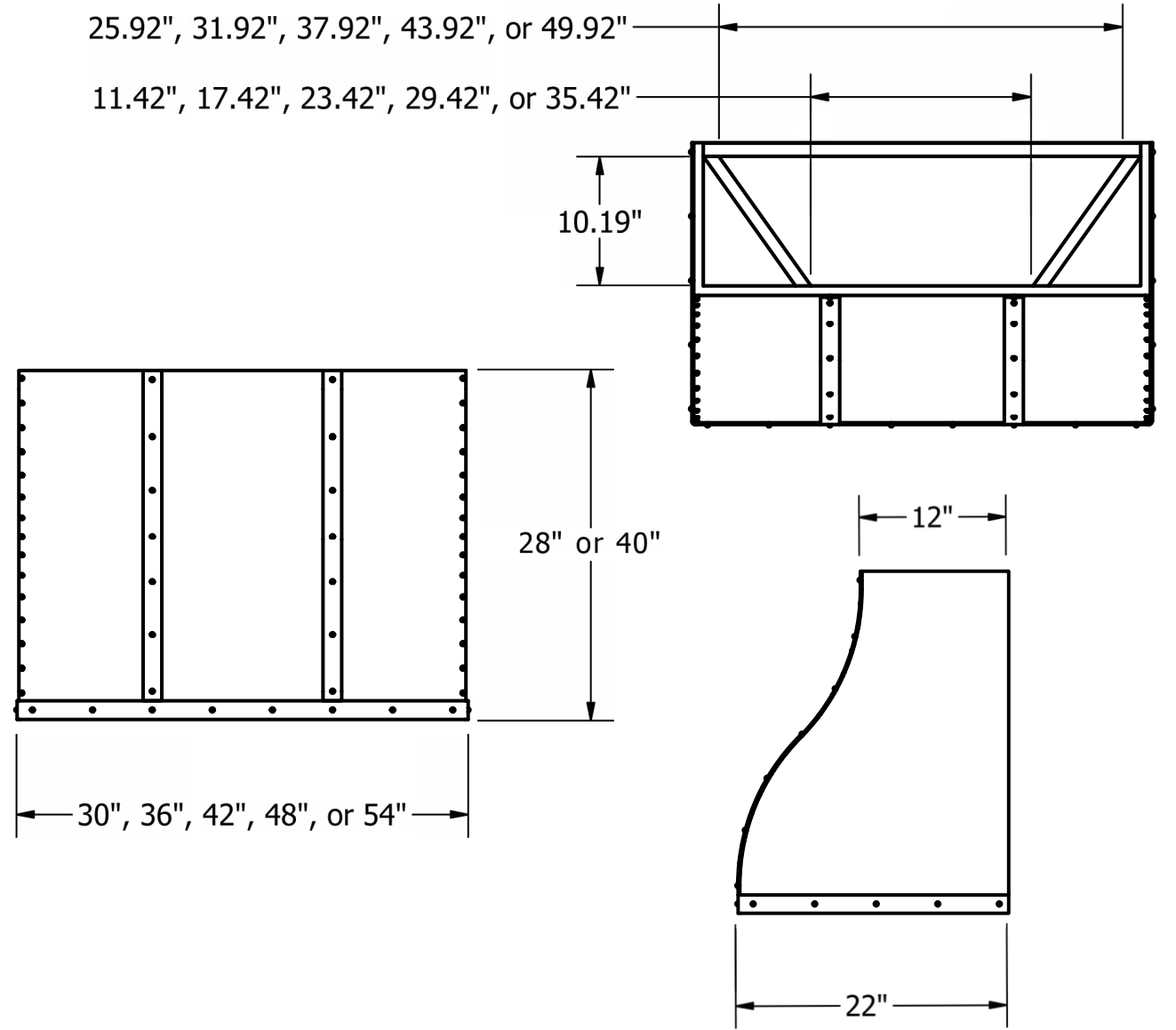




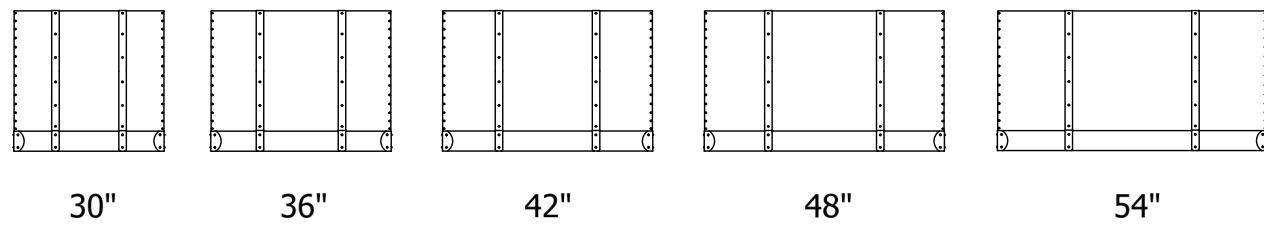
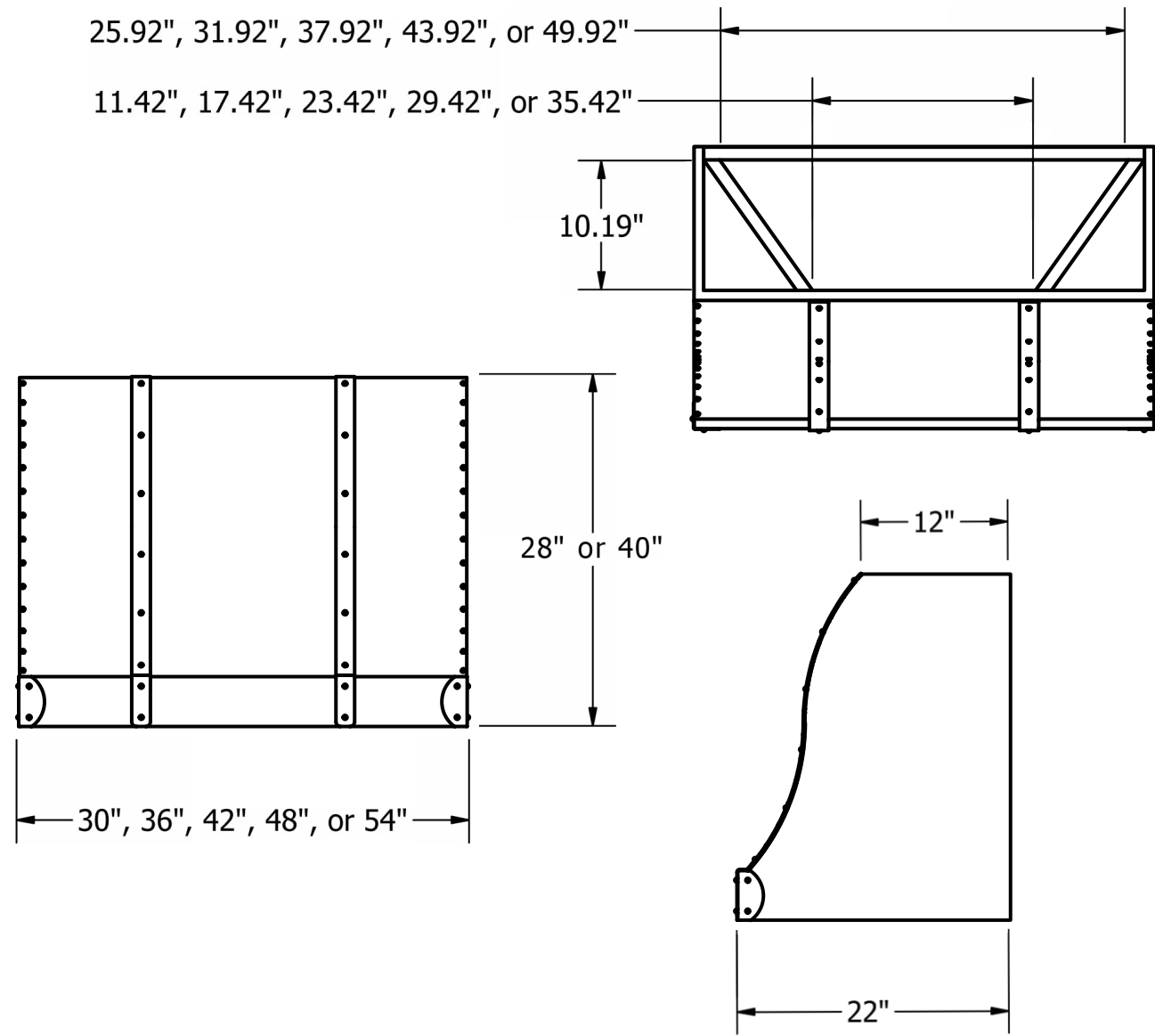
OGEE / TRADITIONAL



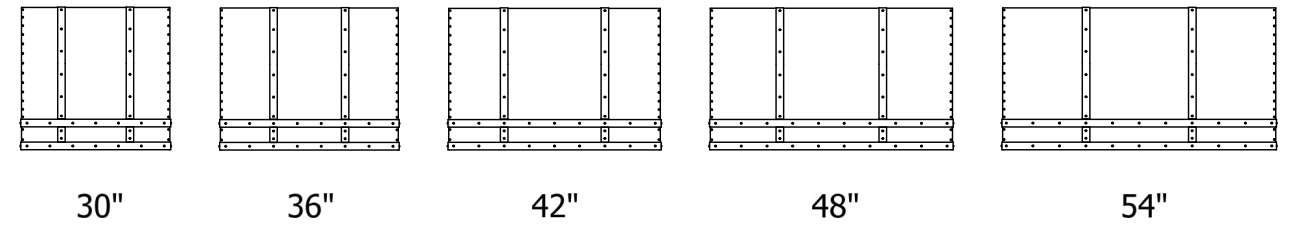
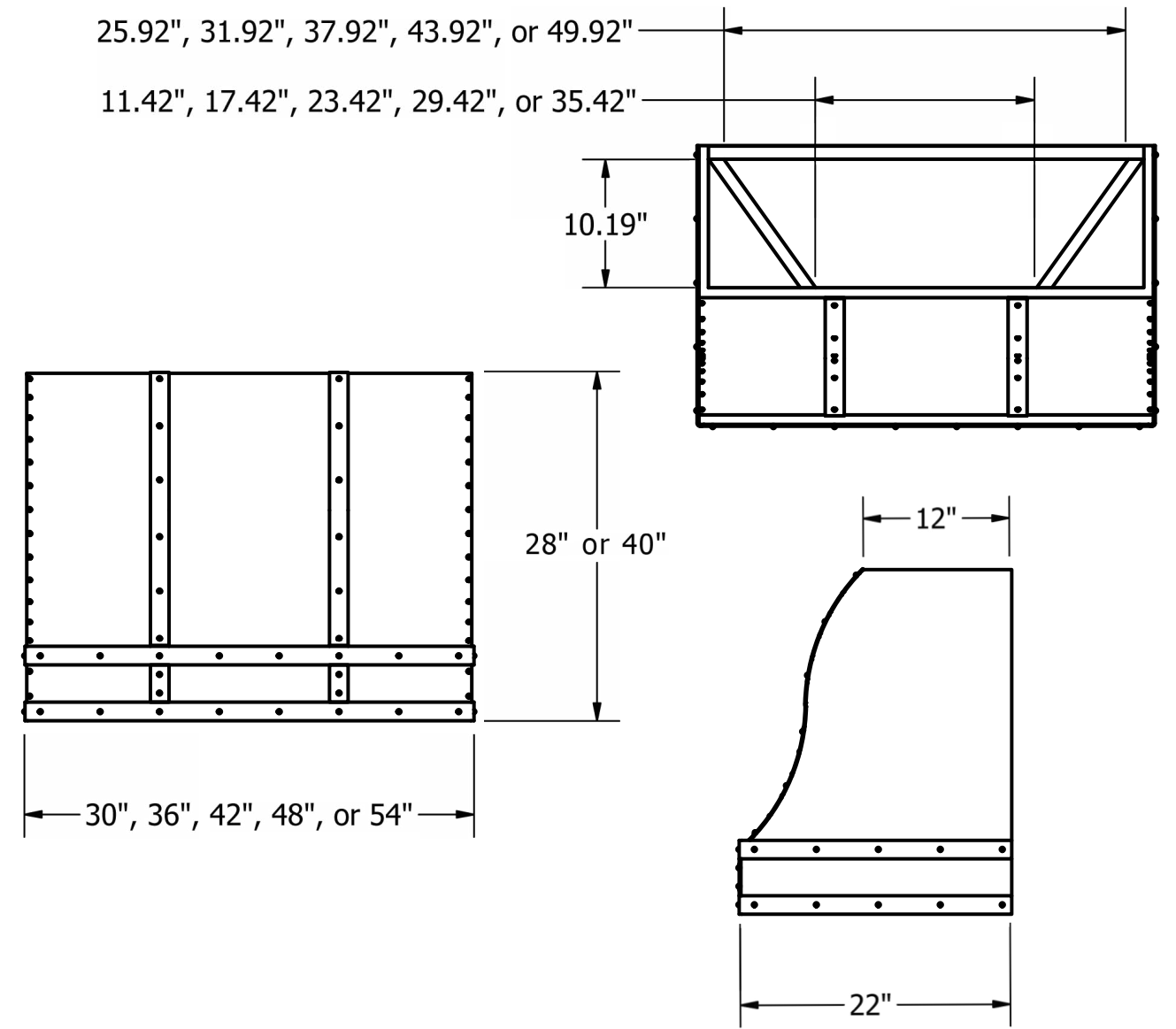
OGEE / TRANSITIONAL



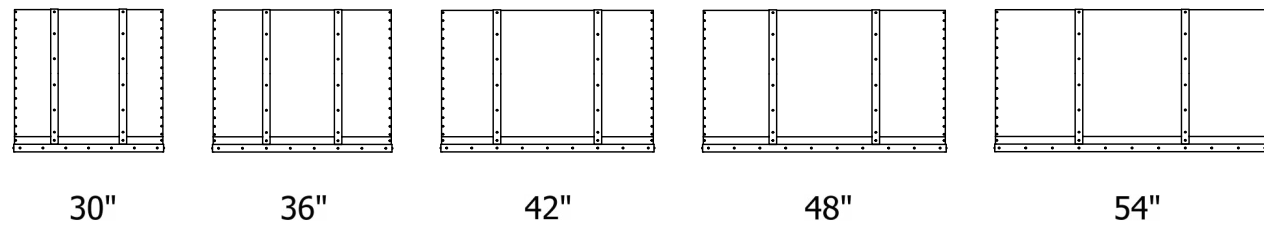
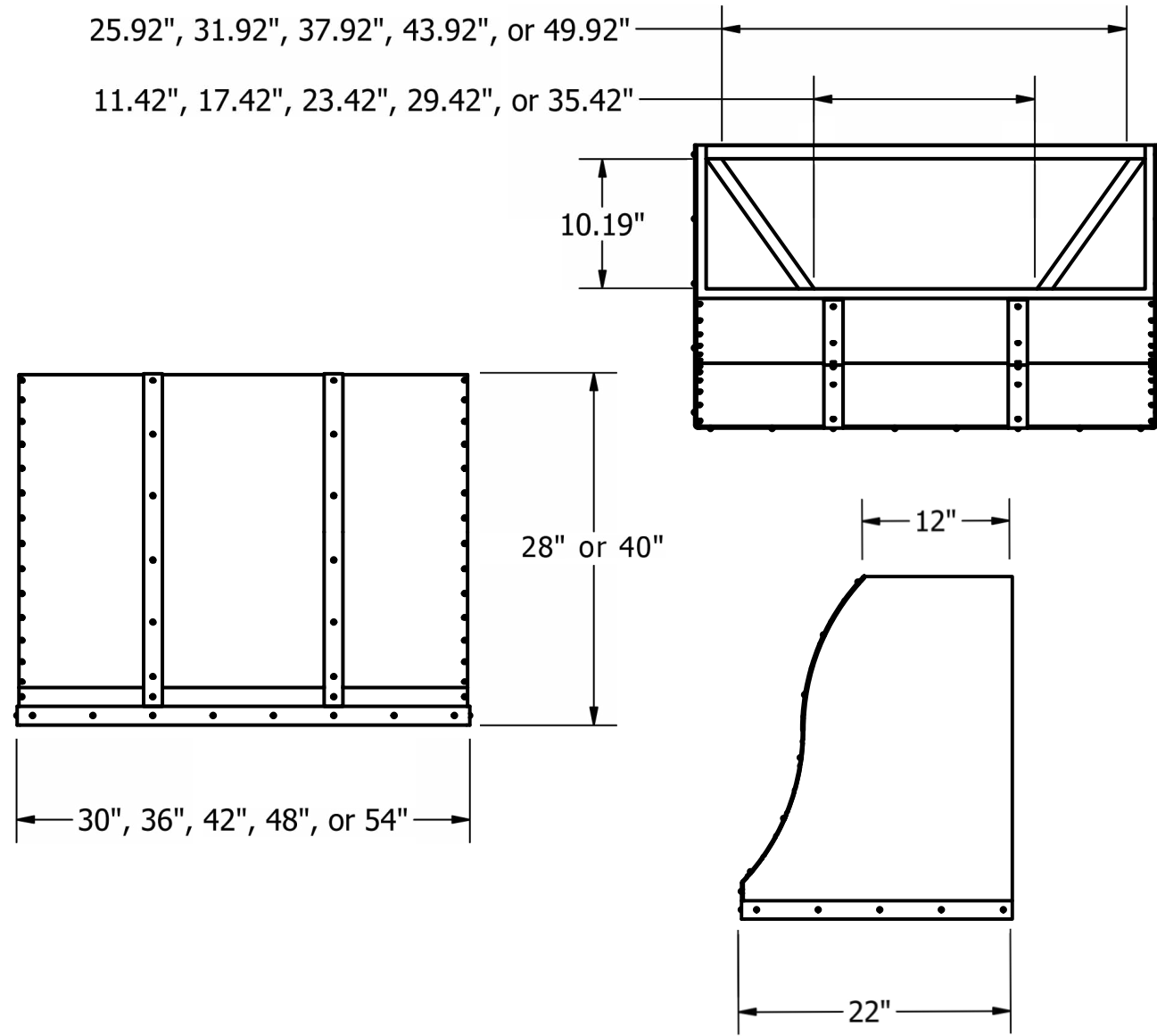
ROLL / CRAFTSMAN



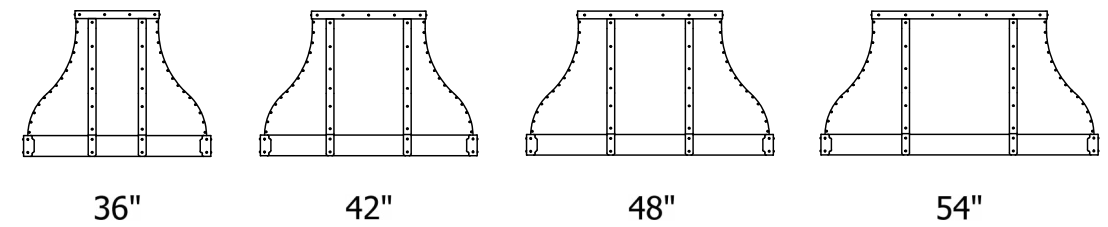
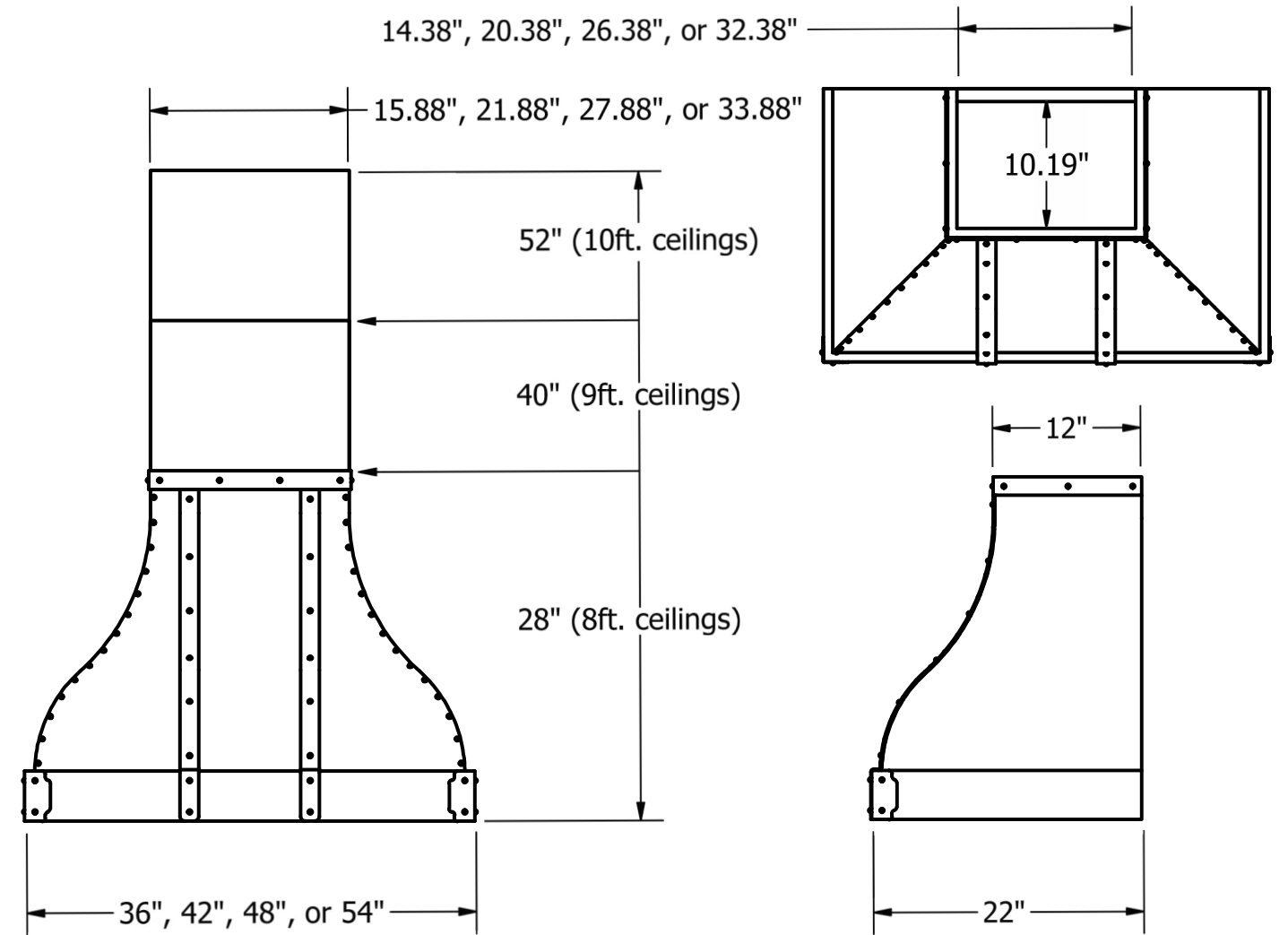
ROLL / TRADITIONAL



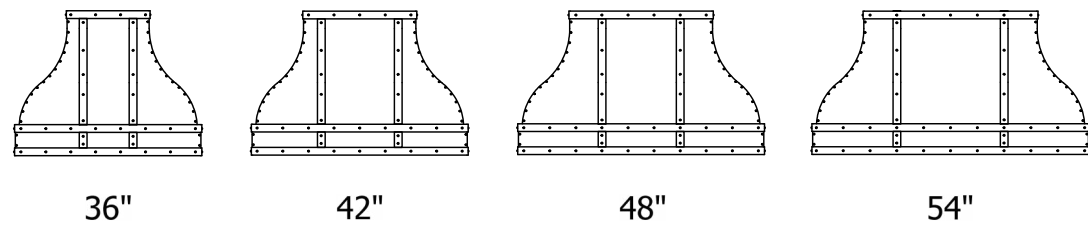
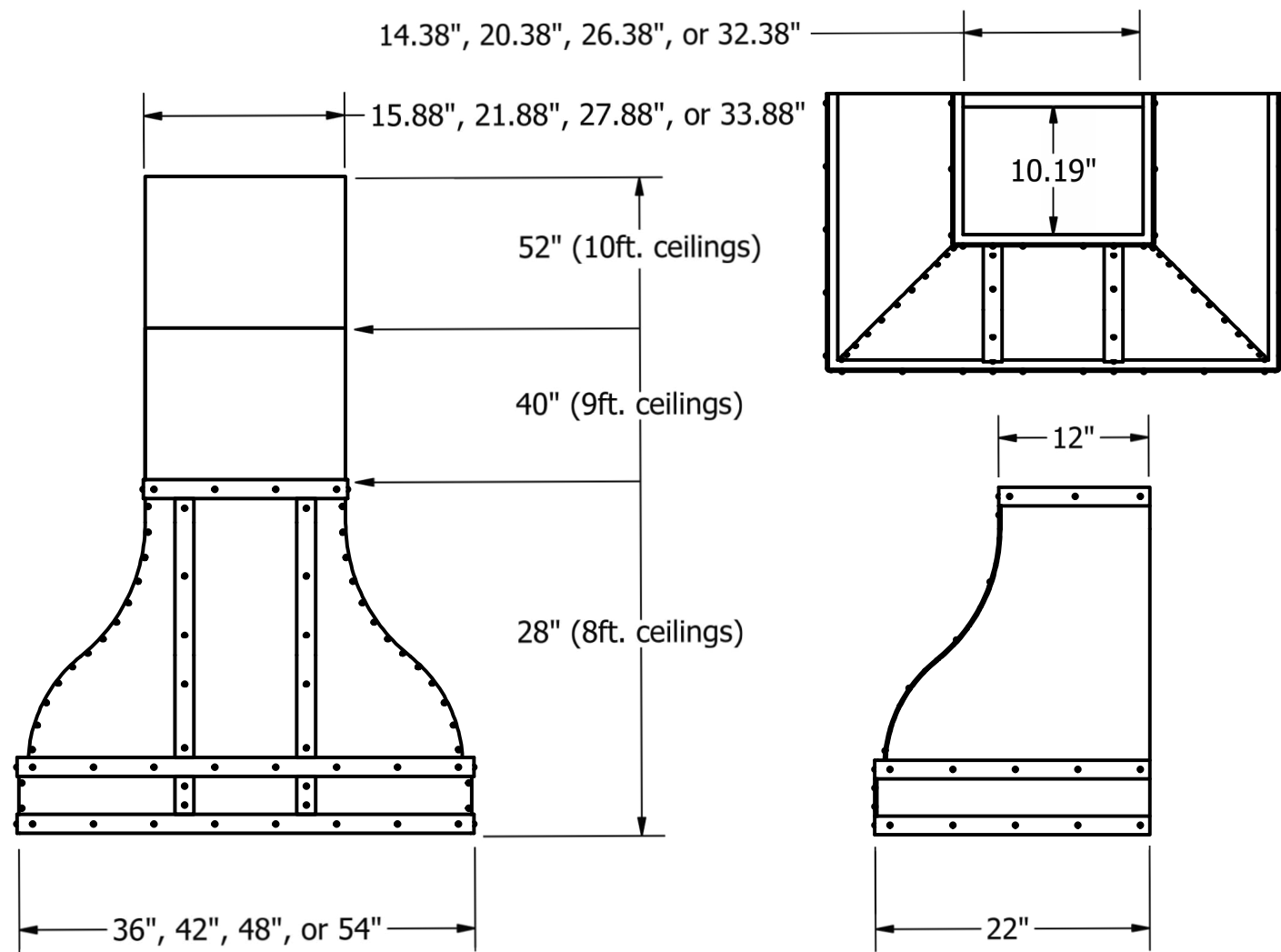
ROLL / TRANSITIONAL



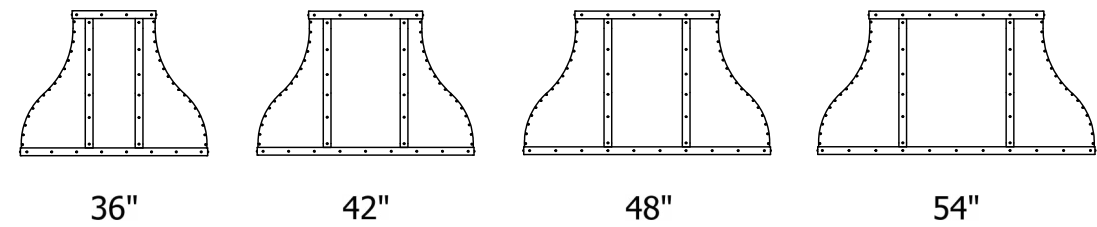
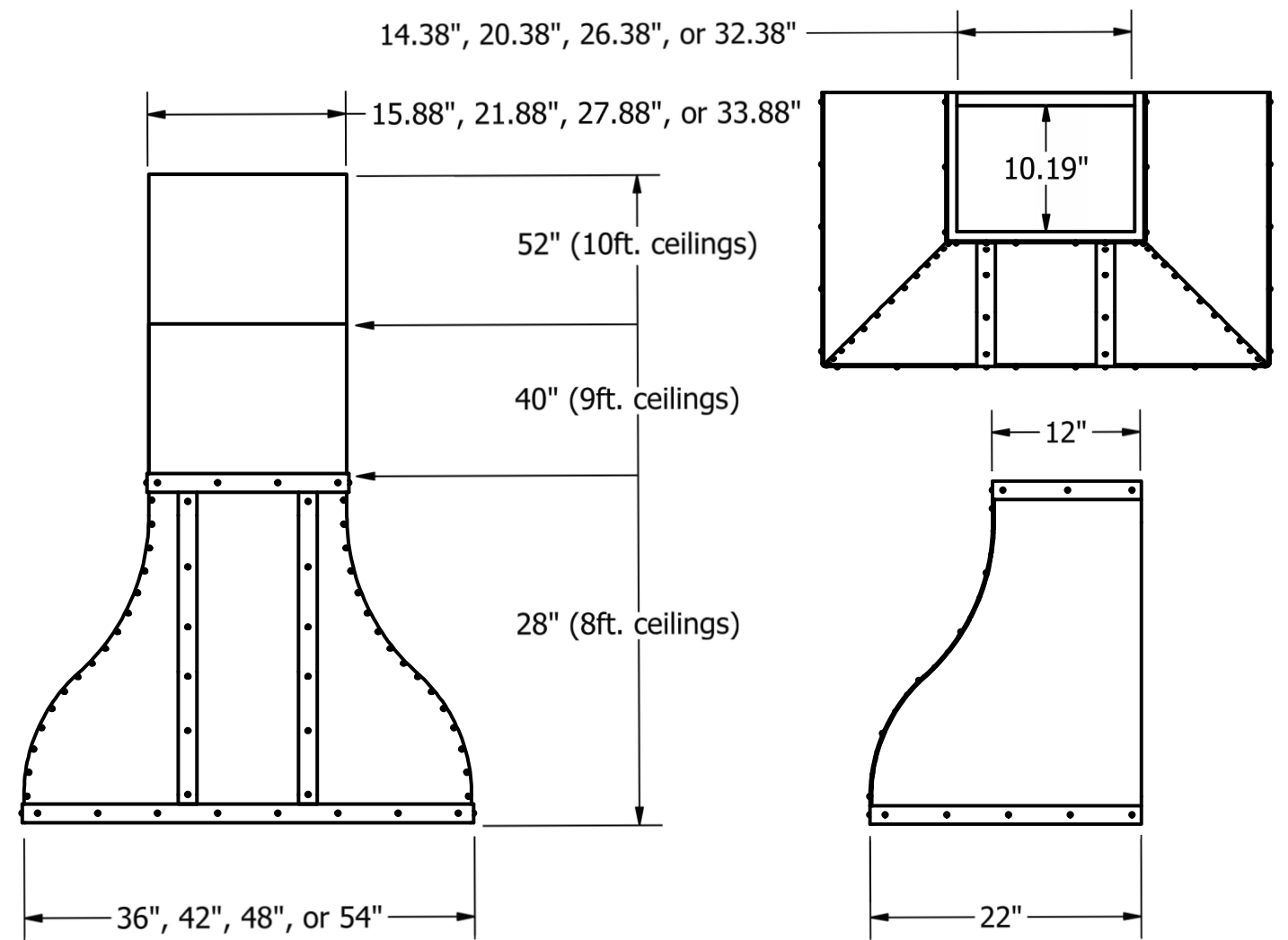
S-CURVE / CRAFTSMAN



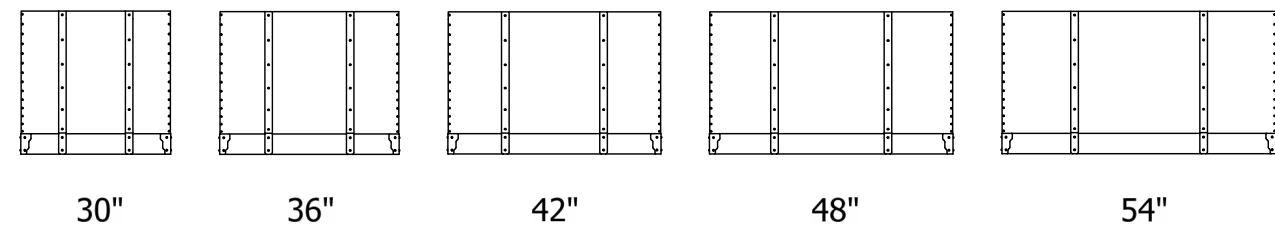
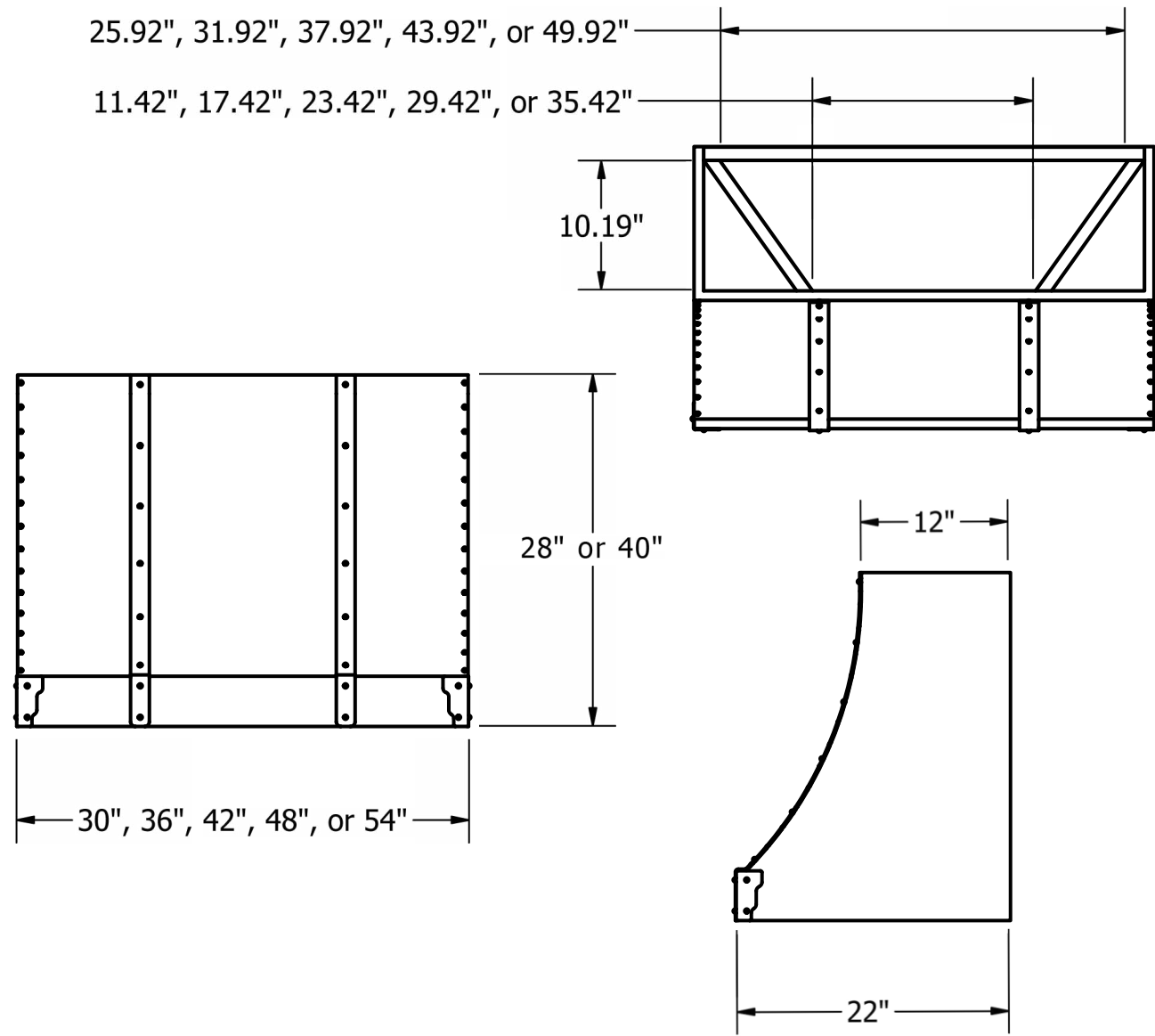
S-CURVE / TRADITIONAL



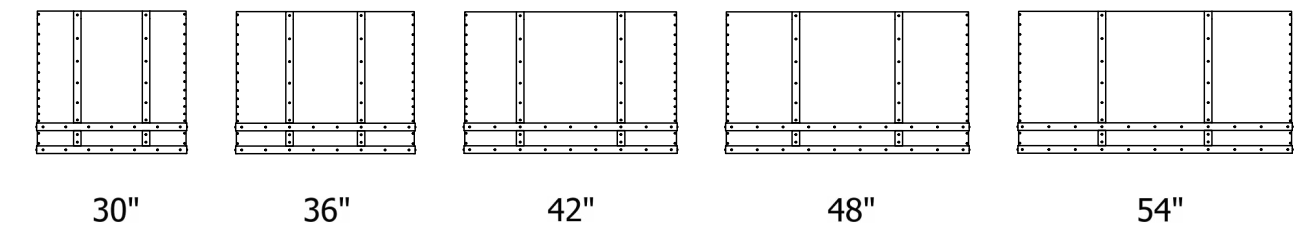
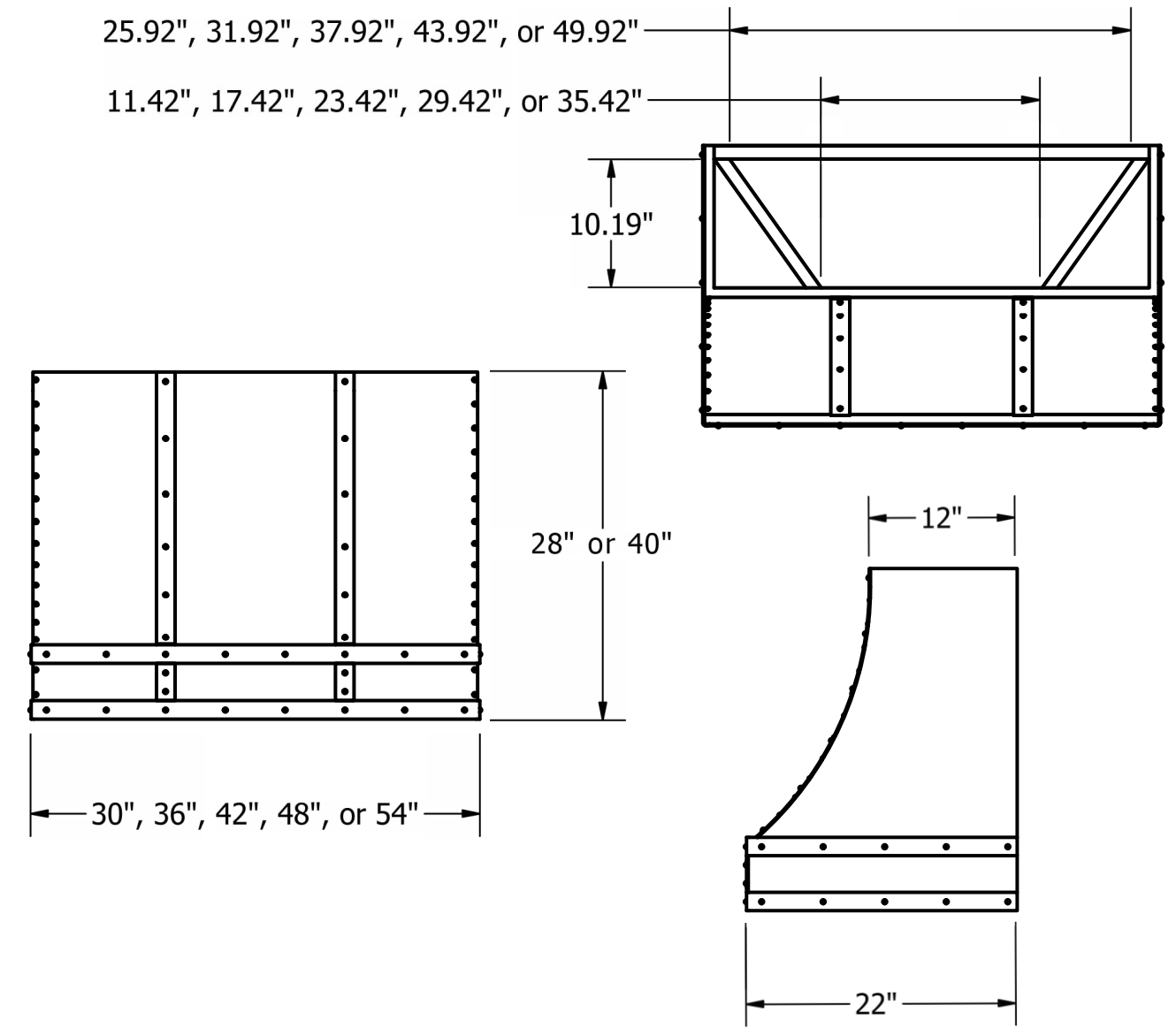
S-CURVE / TRANSITIONAL



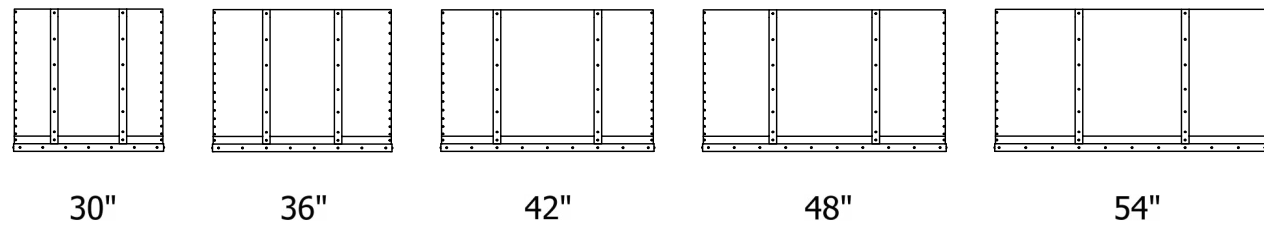
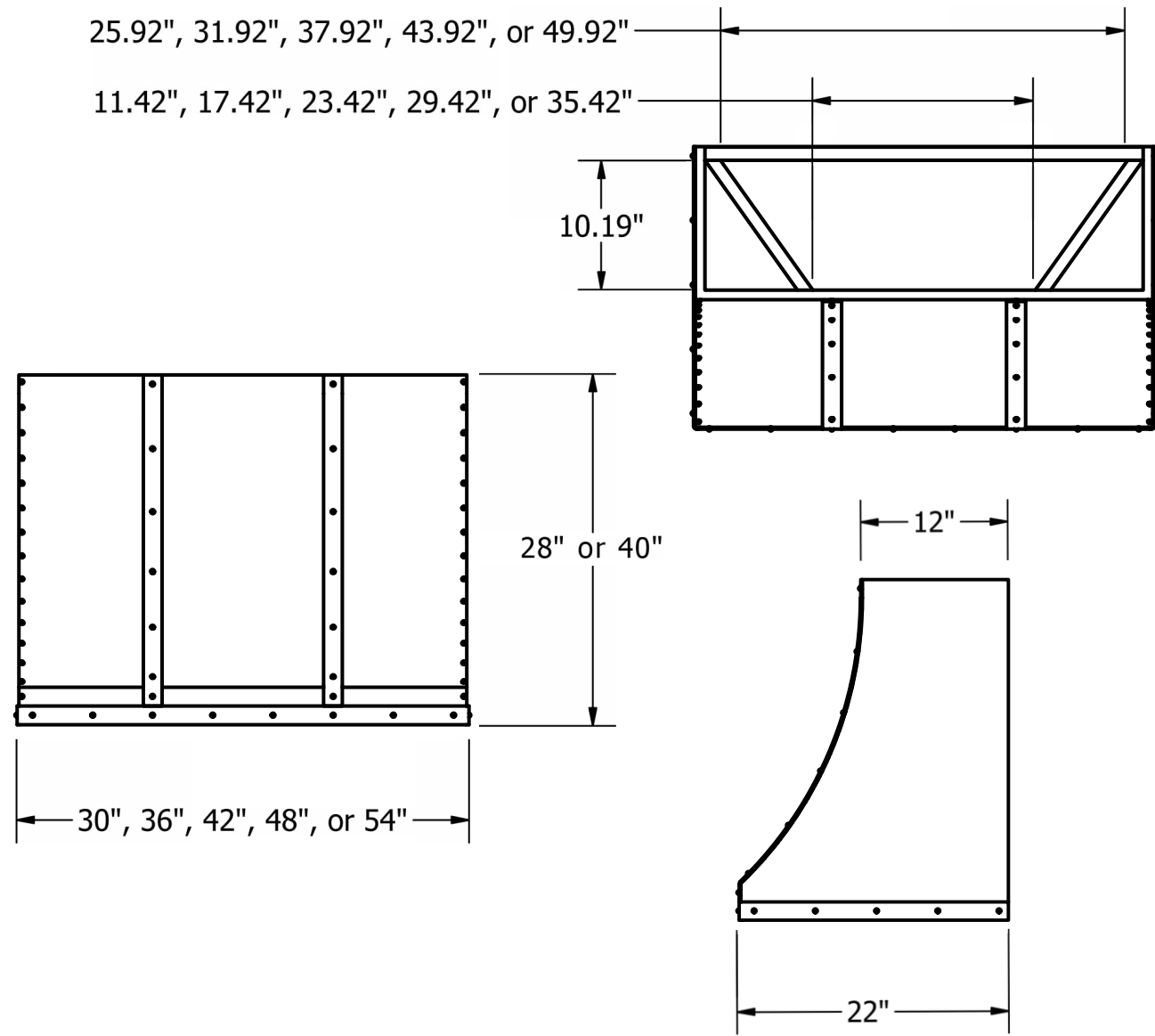
SLOPE / CRAFTSMAN



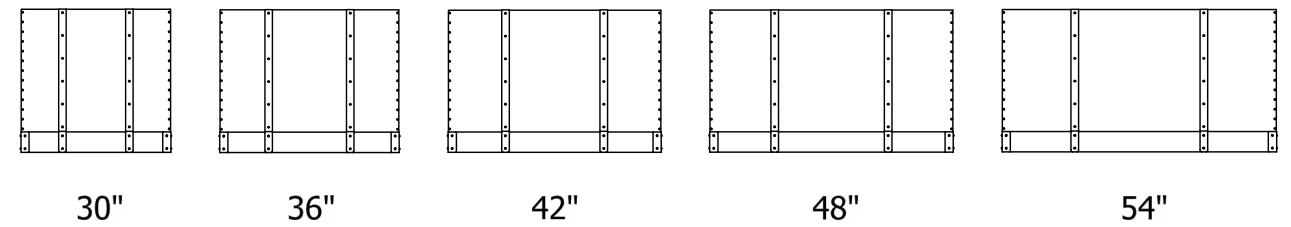
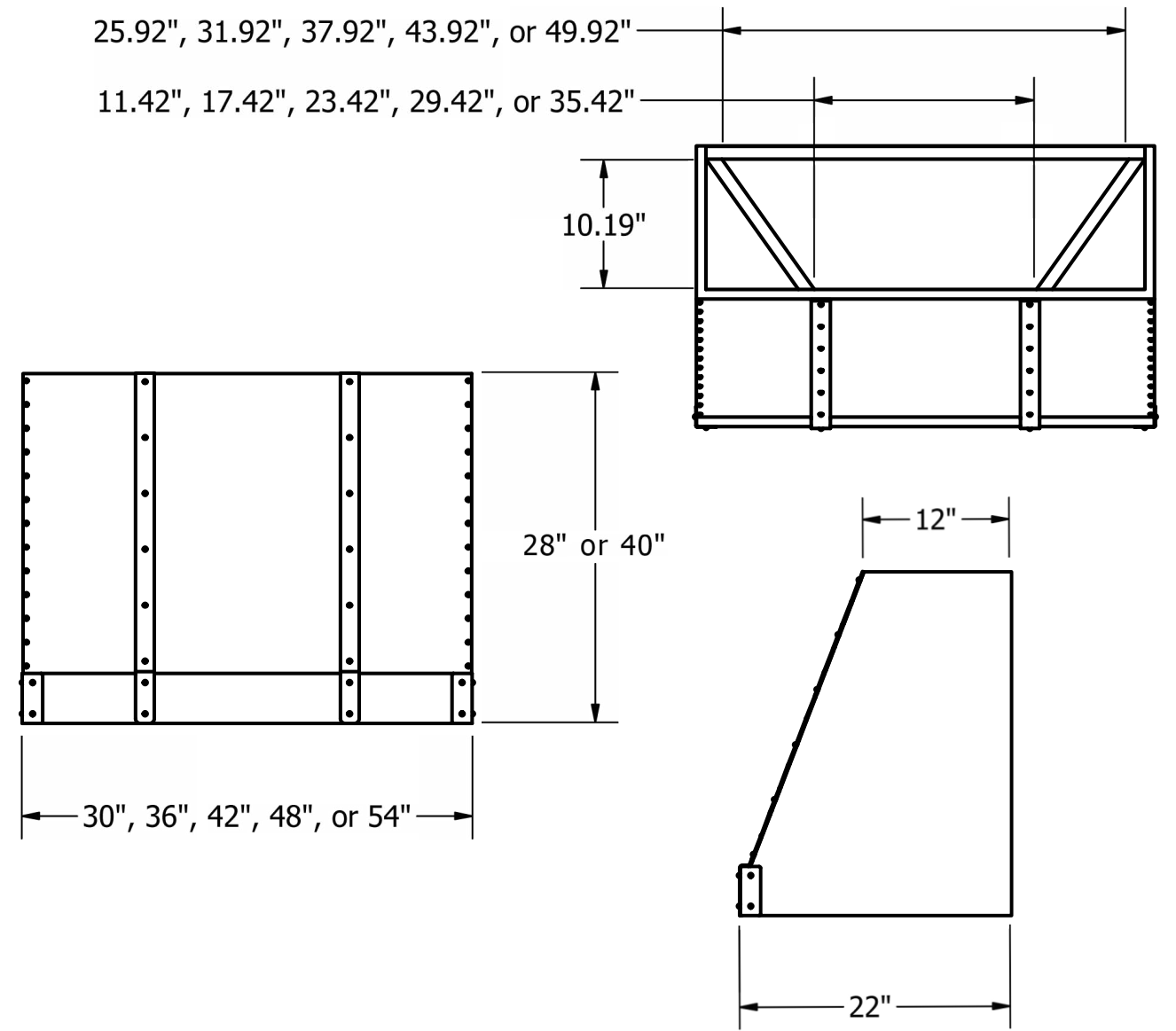
SLOPE / TRADITIONAL



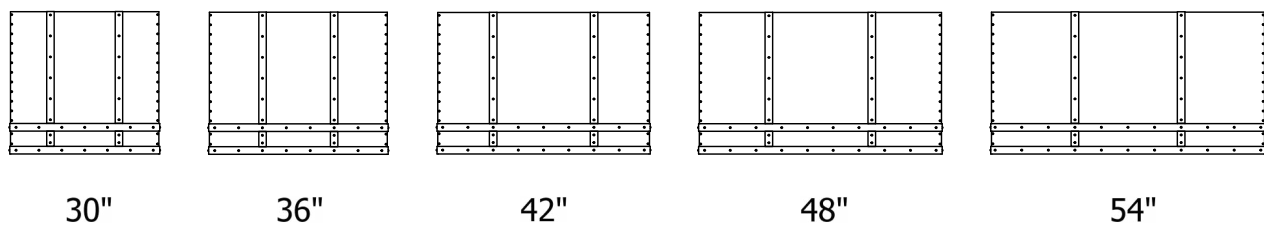
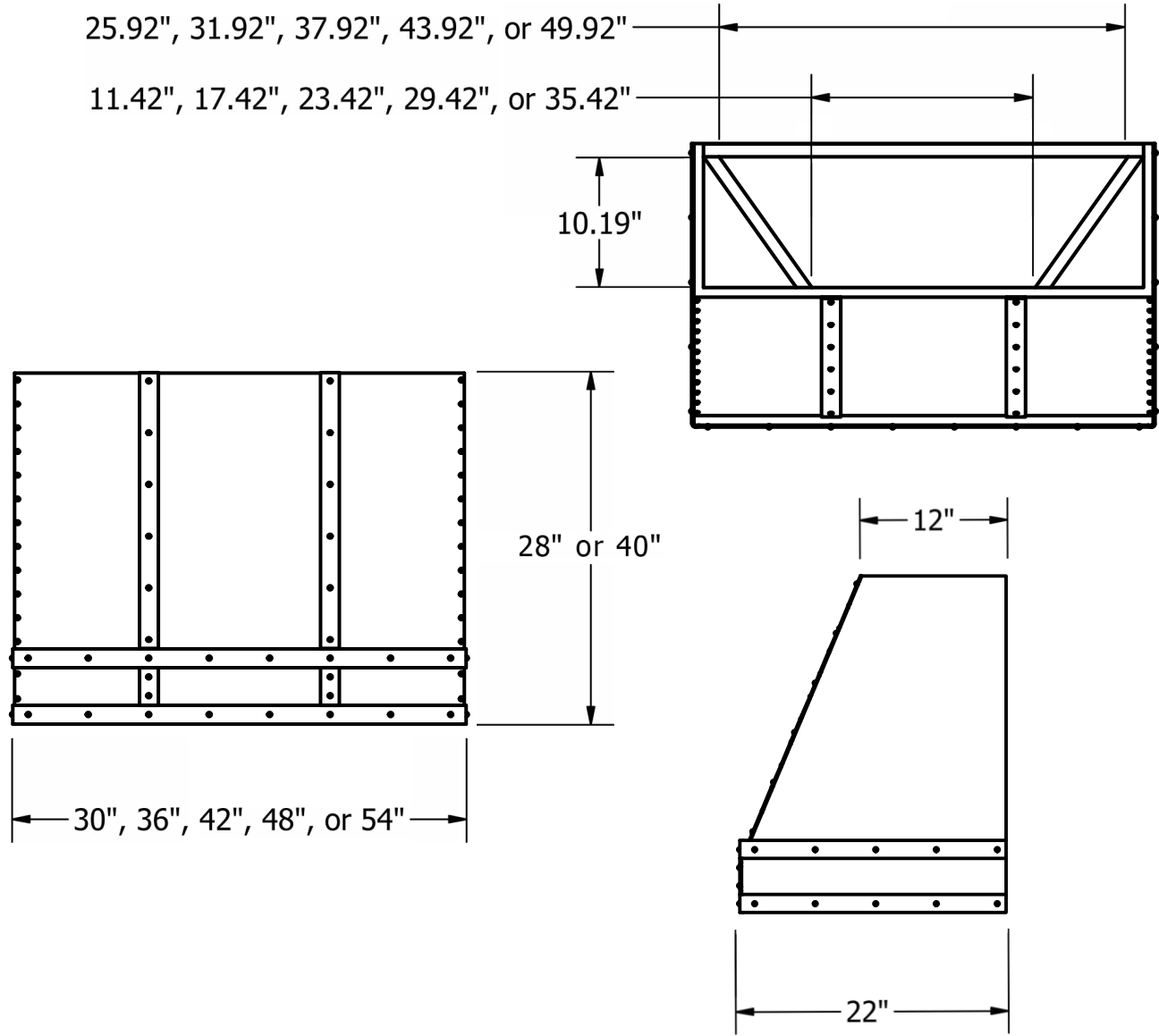
SLOPE / TRANSITIONAL



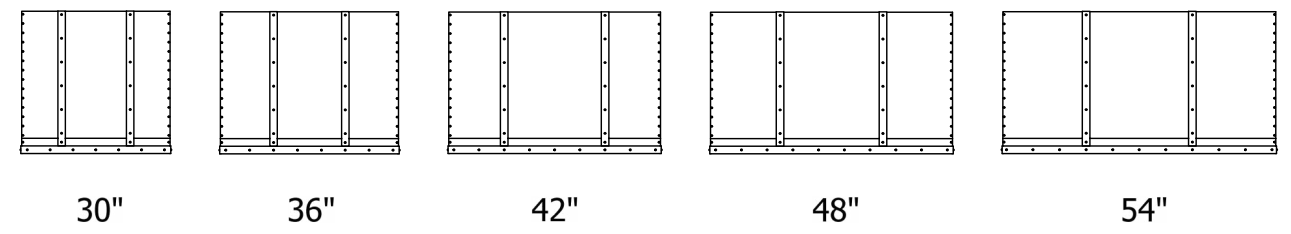
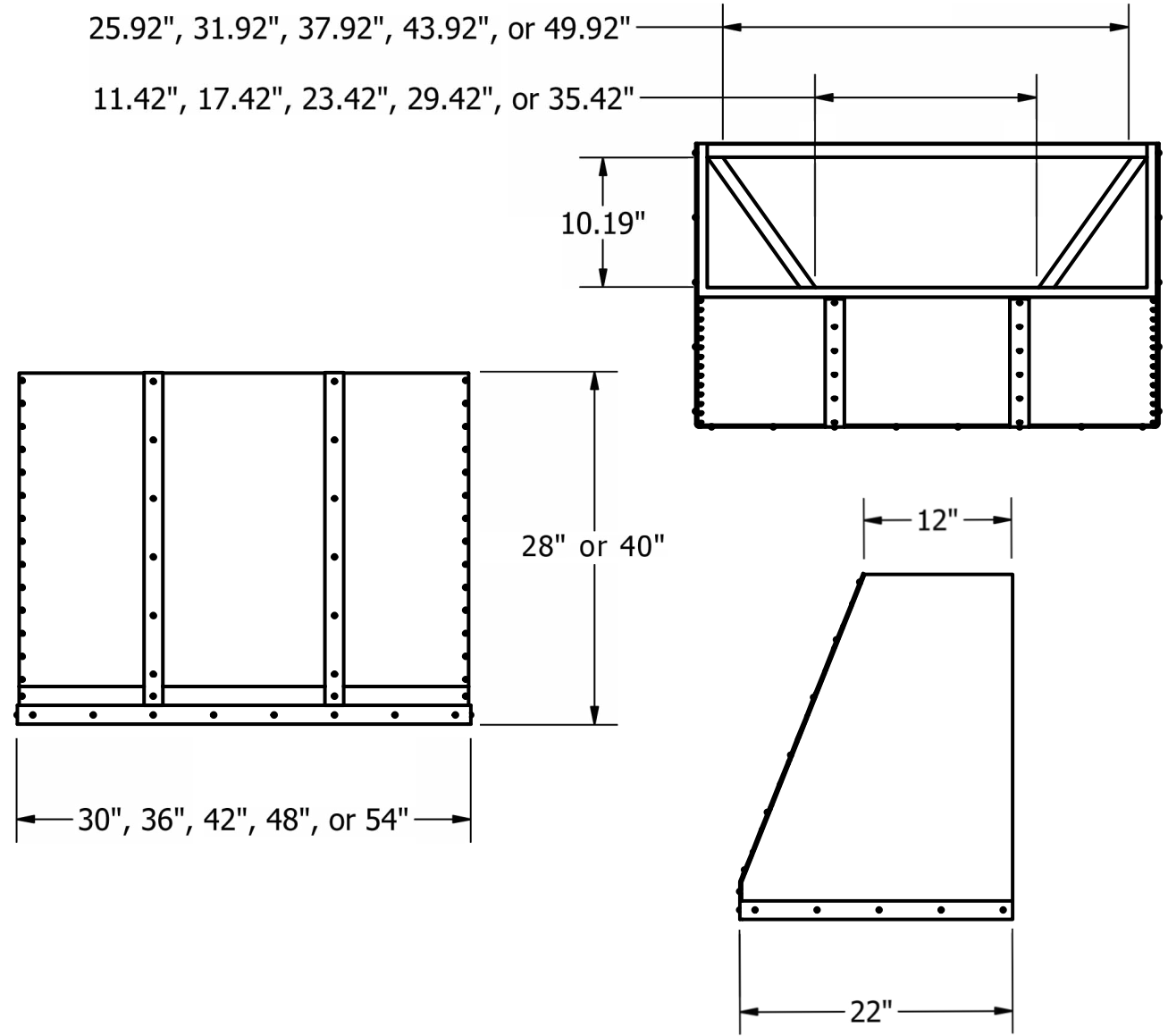
STRAIGHT / CRAFTSMAN



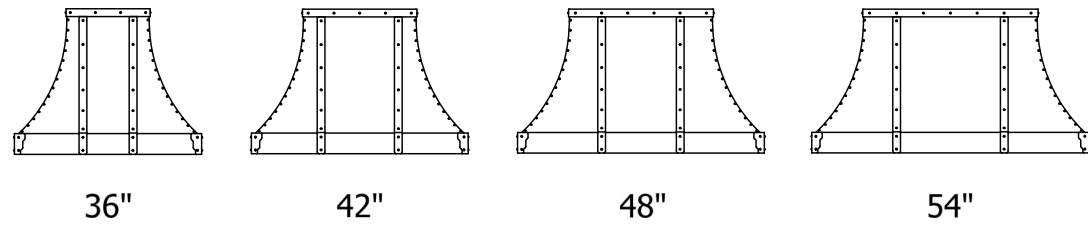
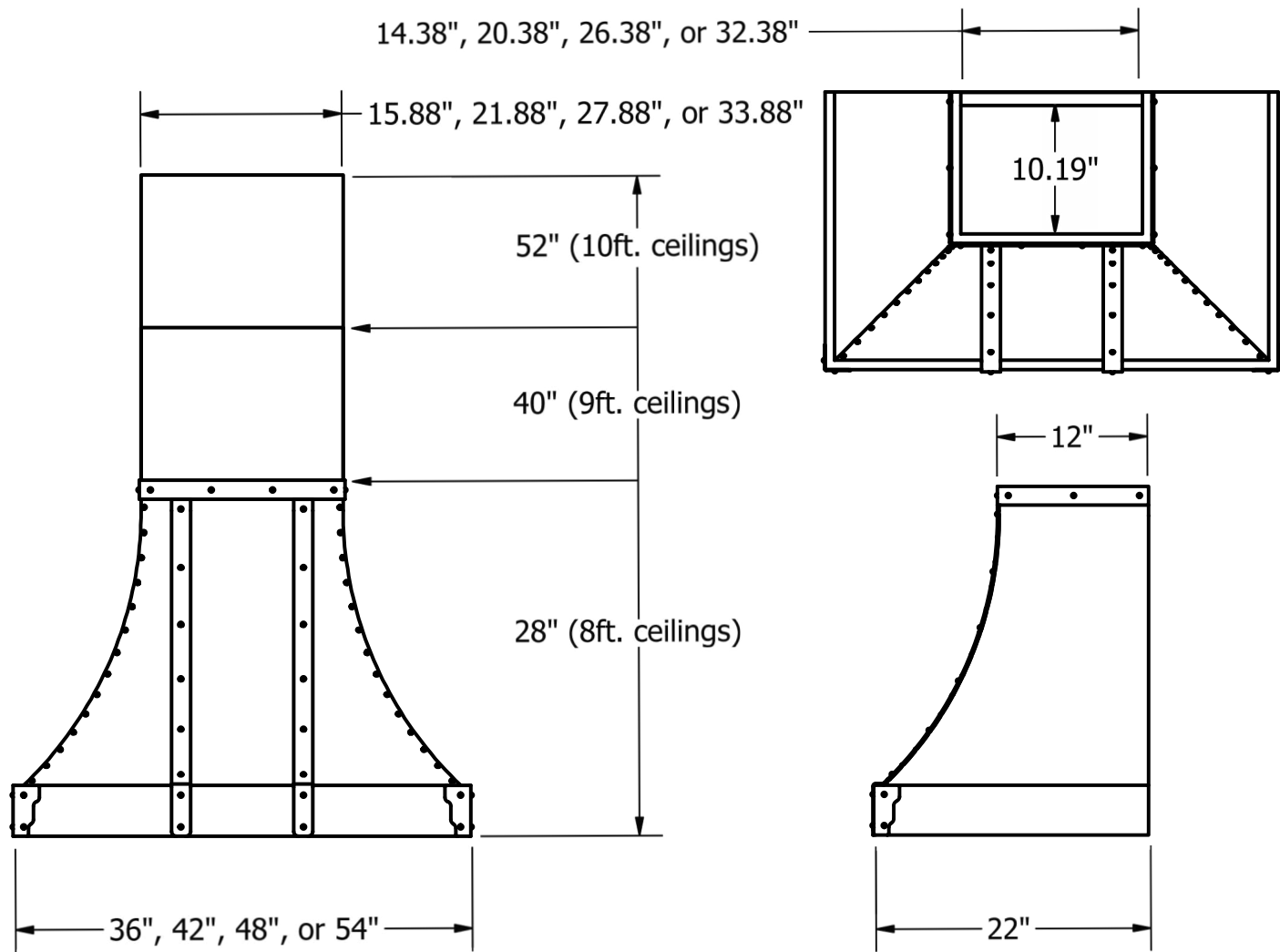
STRAIGHT / TRADITIONAL



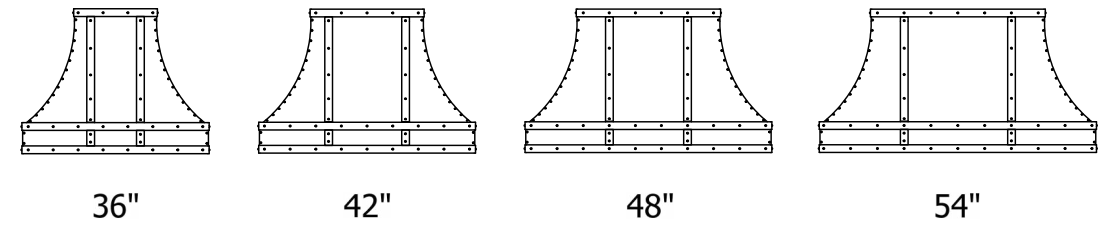
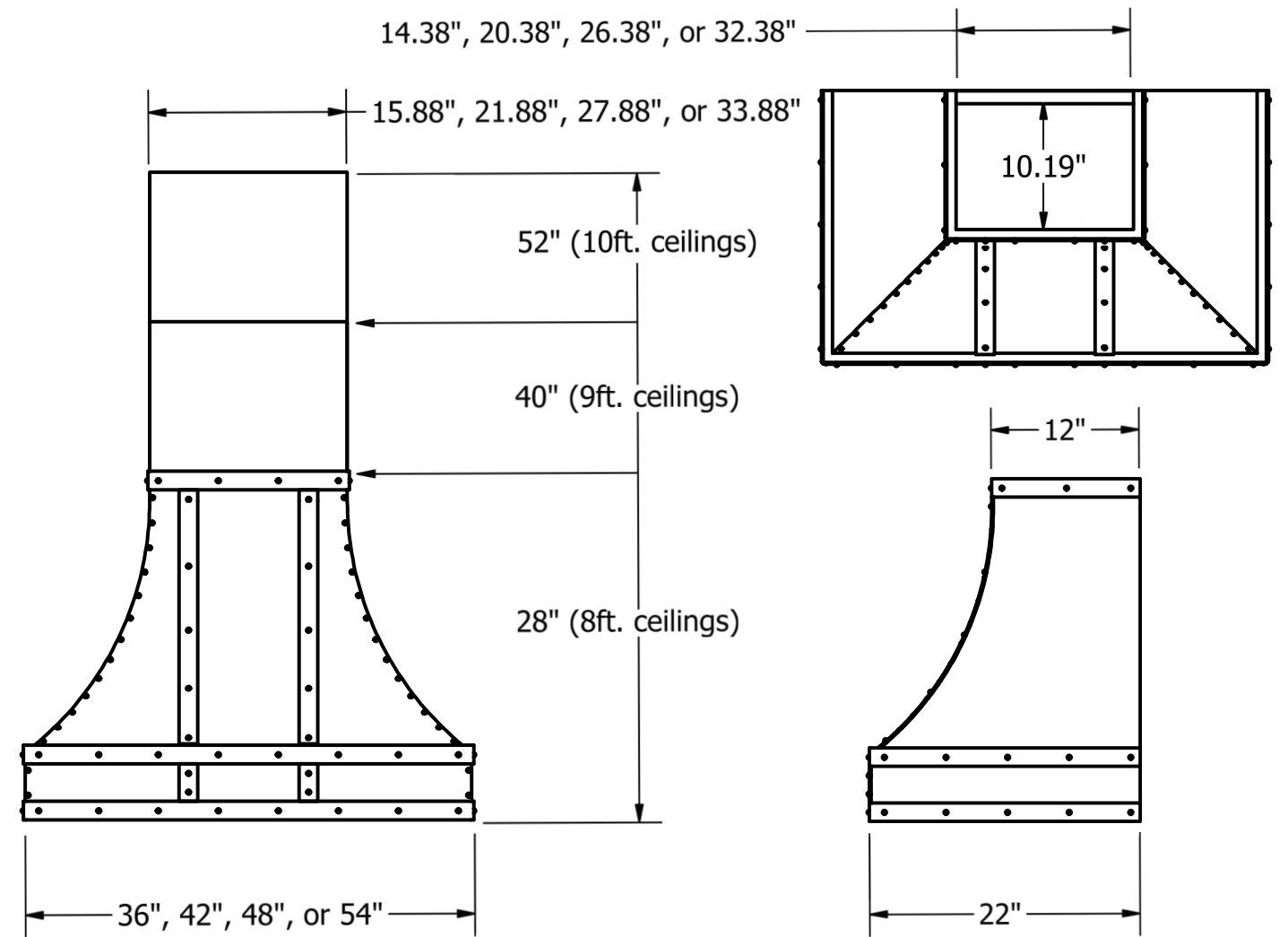
STRAIGHT / TRANSITIONAL



SWEEP / CRAFTSMAN

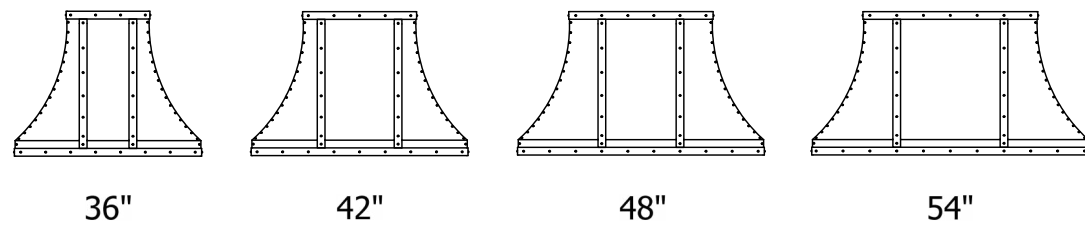
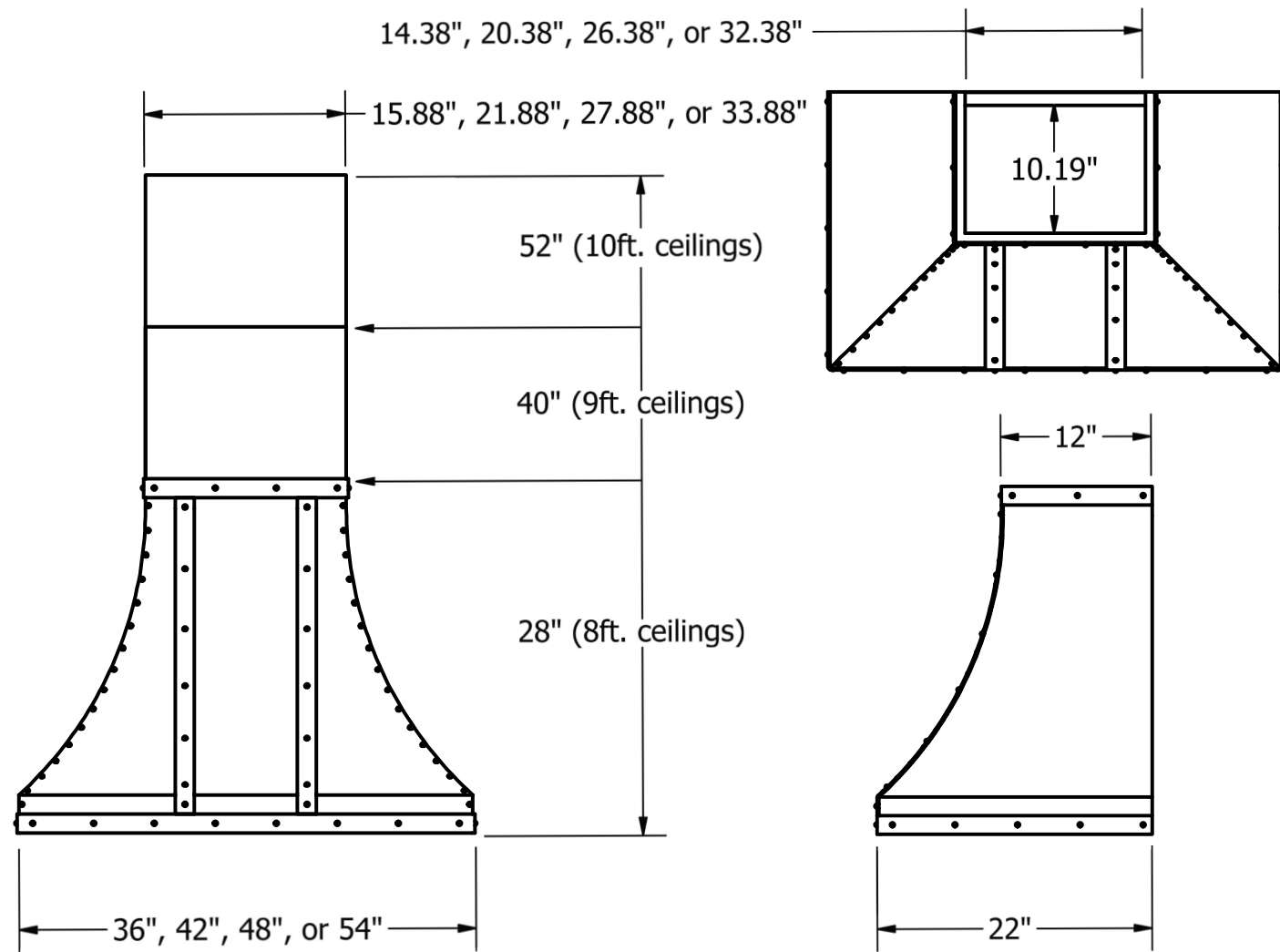


SWEEP / TRADITIONAL

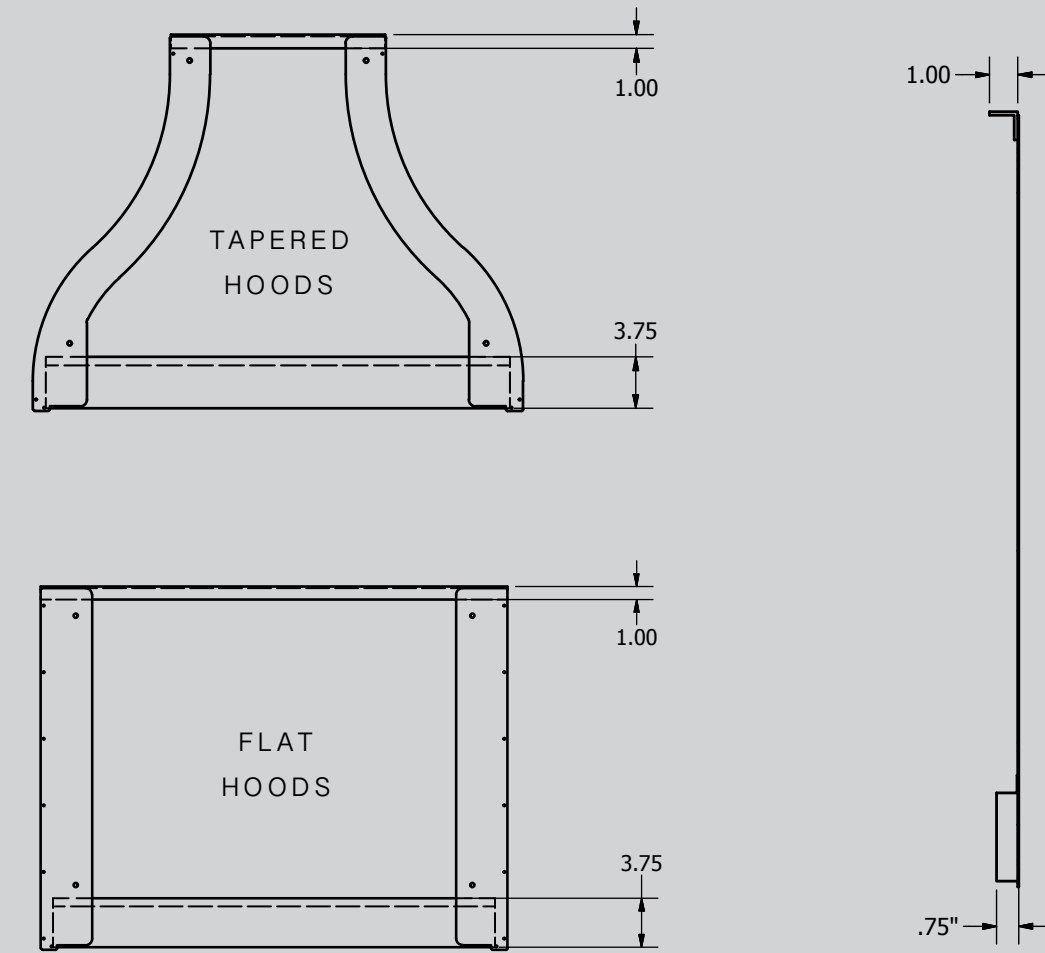




## SWEEP / TRANSITIONAL



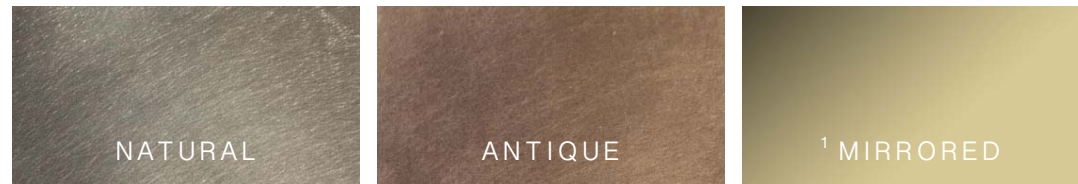
## MOUNTING STRUCTURE



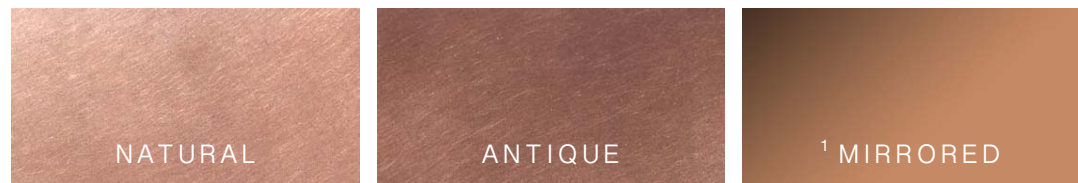
Haube hoods were designed to provide a flexible amount of space for a variety of ducting situations. Each one allows the options to duct through the top or back of the hood. This allows for more ducting options for an easier installation process. The sooner your hood is up, the sooner you can enjoy your thoughtfully crafted kitchen.

## METAL FINISHES

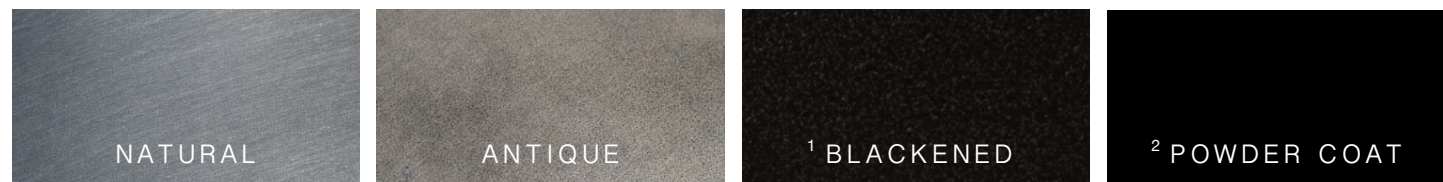
### BRASS



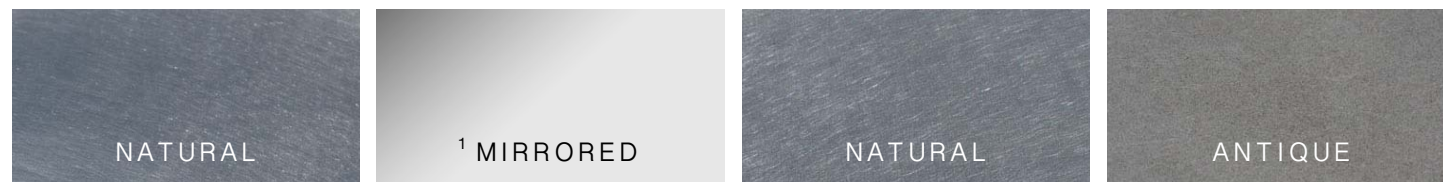
### COPPER



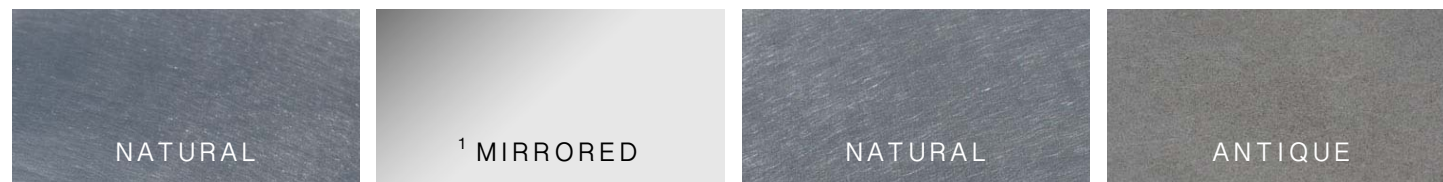
### STEEL



### STAINLESS STEEL



### ZINC



### TEXTURES



1) Mirrored finishes and Blackened Steel for accents only  
2) To see available Powder Coat colors, please visit [prismaticpowders.com](http://prismaticpowders.com)

## VENTILATION

### INSERT OPTIONS

#### AIR PRO



Our 30" hoods come with this American made power pack. Just small enough to fit in a hood, but still offers a 290 CFM or 390 CFM pull. For more info and specs, please visit [www.vmi-inc.net](http://www.vmi-inc.net).

#### FABER INCA PRO PLUS



Any hood 36"- 54" wide hood comes with this Italian beauty. It includes a wide variety of blower options and dishwasher safe baffle filters. For more info and specs, please visit [www.faberonline.com](http://www.faberonline.com).

### BLOWER OPTIONS

Internal - Blower(s) located inside the fan system

Air Pro - Available in 290 or 390 CFM, Faber Inca Pro Plus - 300, 600, or 1200 CFM

Inline - Blower(s) located at an access point inside the home (example: attic)

Faber Inca Pro Plus - There are 14 different options in the range of 300 to 2000 CFM, please inquire about your needs for the appropriate inline blower.

External - Blower(s) located on roof or outside wall

Faber Inca Pro Plus - Available in 900 or 1200 CFM

