



HH

HAUBE RANGE HOOD CO.



The German word “haube” translates to “hood” in English. Being this company was born by craftsmen in Haubstadt, Indiana, the name chose itself.

Haube Range Hood Company began in 2012 in the small, German town of Haubstadt, Indiana. A structured approach to design and fabrication along with disciplined work lay the foundation of this product. Our vision has always been to streamline the building process and present our available options in a concise manner. We have given this concept 5 years of development before its inception. Our success allows us to present a custom crafted piece, for a sensible price and in a reasonable time frame. We would like to thank you for taking a moment to navigate through our drawings and options and we hope we are given the opportunity to craft your kitchen centerpiece.

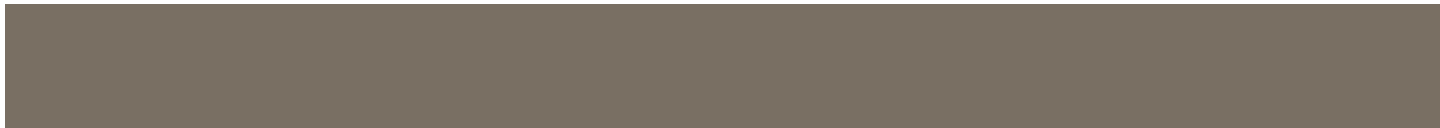
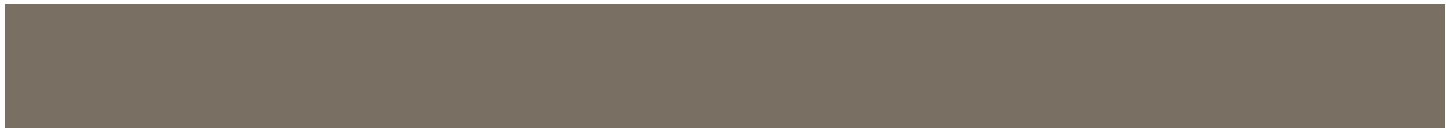


TABLE OF CONTENTS

CRAFTSMAN SERIES	03 - 14
TRADITIONAL SERIES	15 - 26
TRANSITIONAL SERIES	27 - 38
UNDER CABINET SERIES	39 - 43
MOUNTING STRUCTURE	44
METAL FINISHES	45
VENTILATION	46



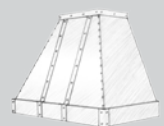
For more information please visit our website at haubehoods.com or search for us on any major social media platform [@haubehoods](https://www.instagram.com/haubehoods)



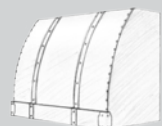
CRAFTSMAN



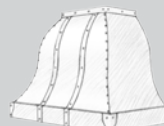
A Craftsman must earn the right to be called one. This series has been revised to perfection, and our masterpiece is finally ready to be shared with the world.



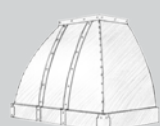
ANGLED



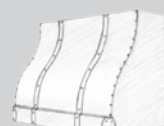
BARREL



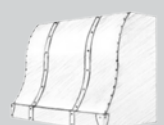
BELL



DOME



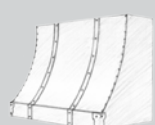
OGEE



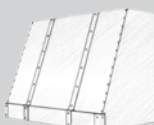
ROLL



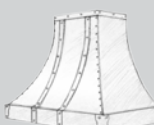
S-CURVE



SLOPE

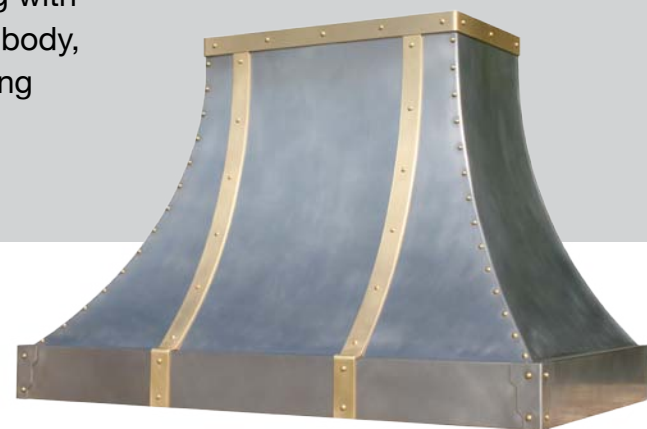


STRAIGHT



SWEEP

This series features 10 different body shapes, along with straps and corner plates as the hood accents. The body, straps and corner plates are available in the following materials: Brass, Copper, Stainless Steel, Steel, and Zinc.



Craftsman Sweep - 42x22x28
Stainless Steel with Natural Brass Accents

FEATURE: CORNER PLATES



BUTTERFLY



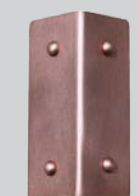
CLOUDLIFT



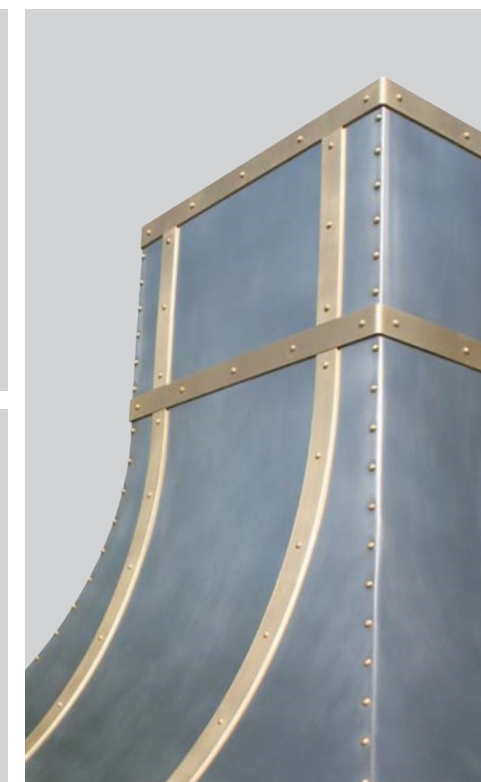
CRESCENT



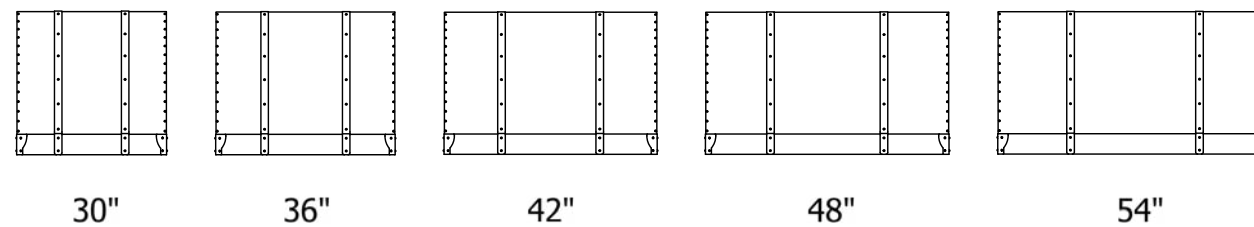
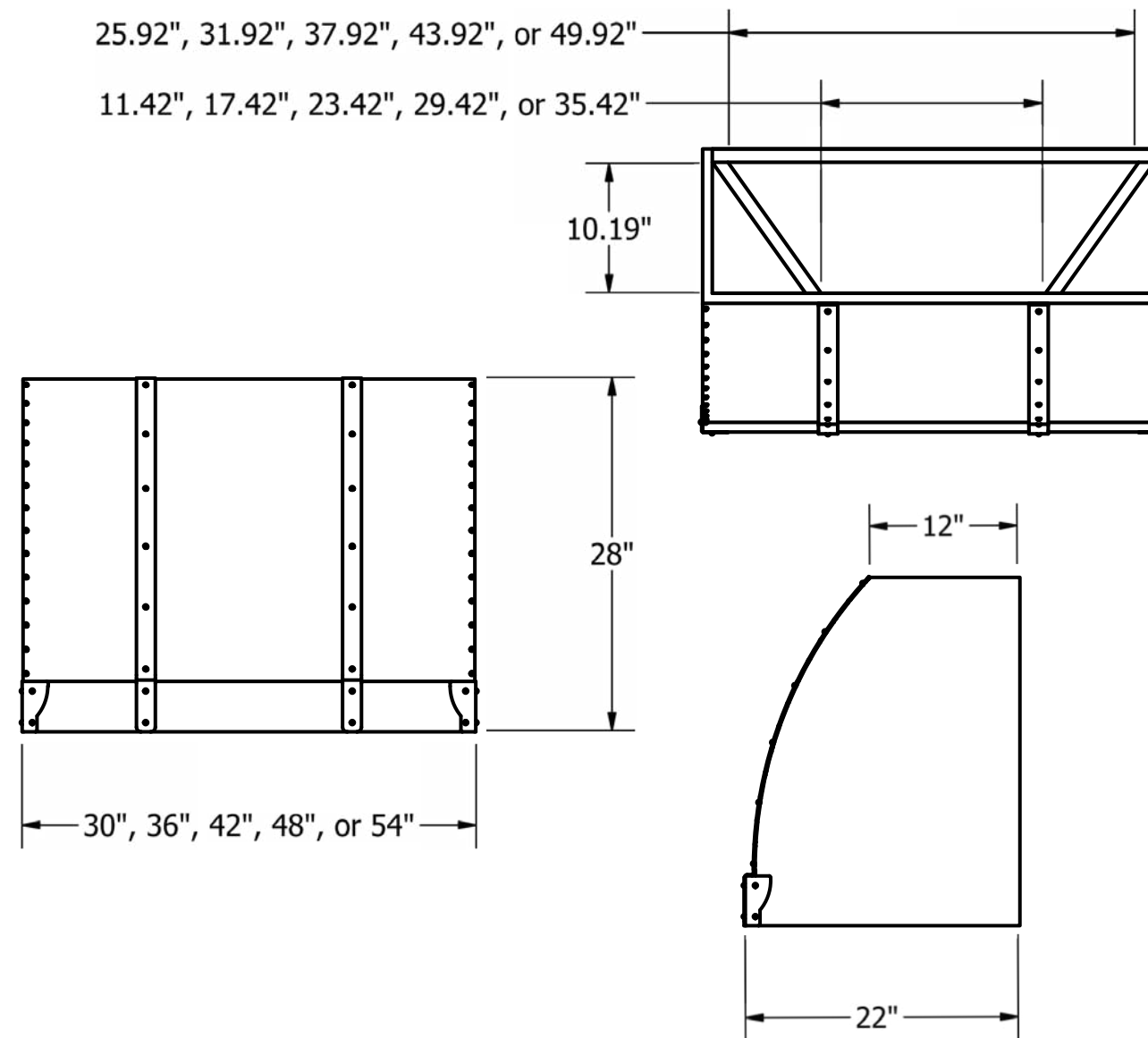
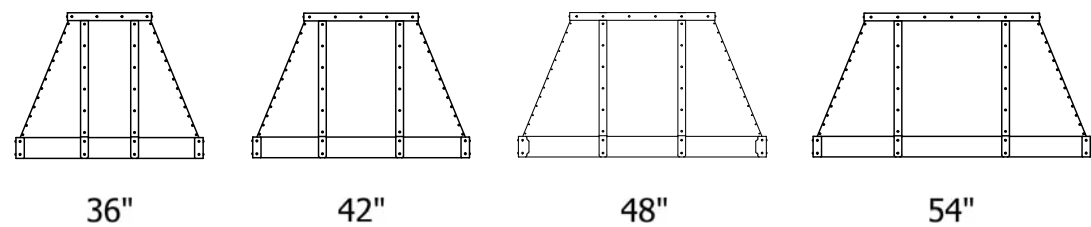
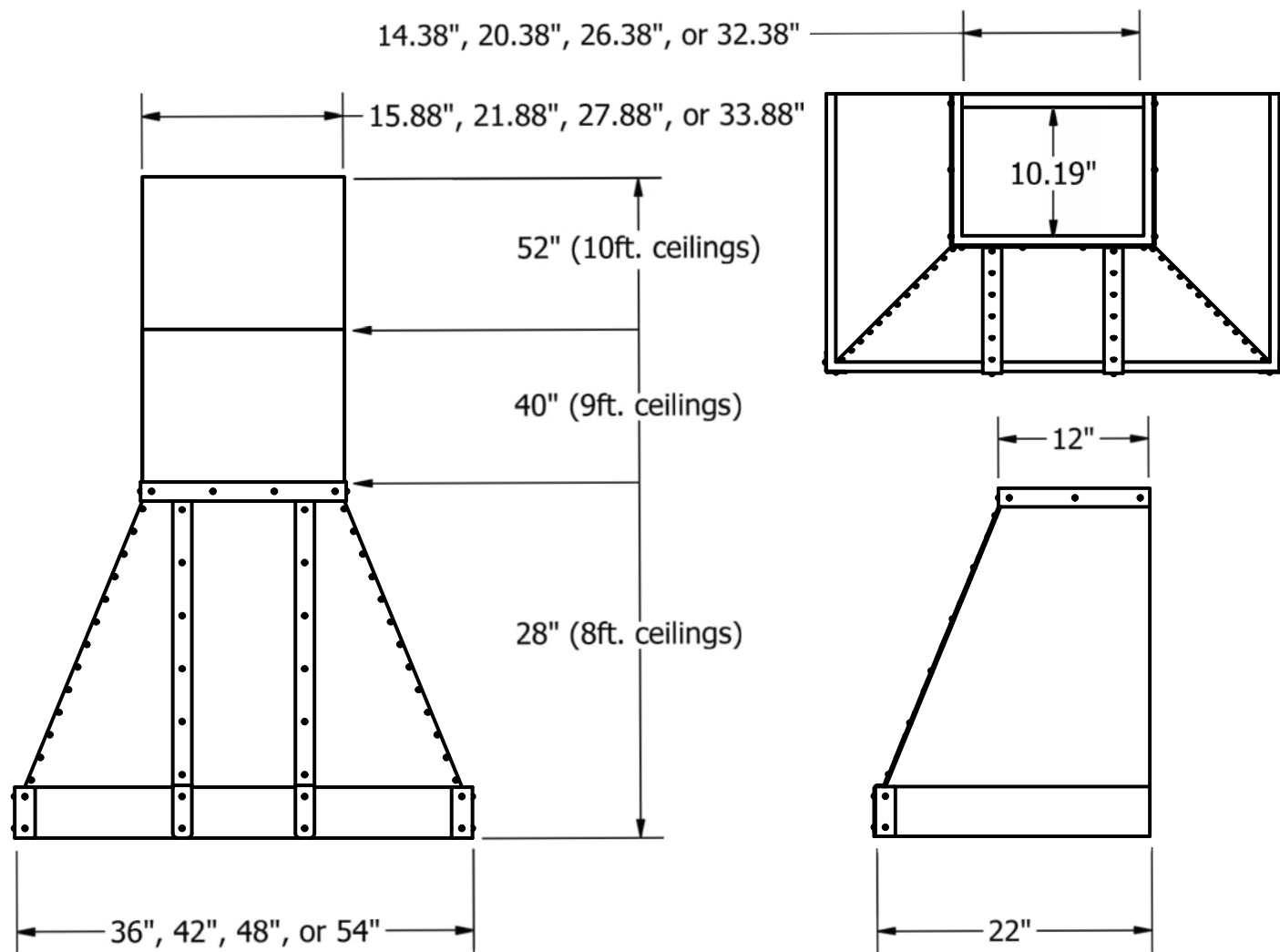
DOUBLE-STEP

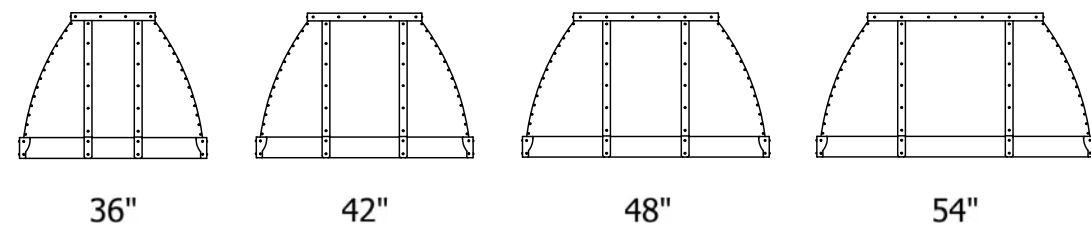
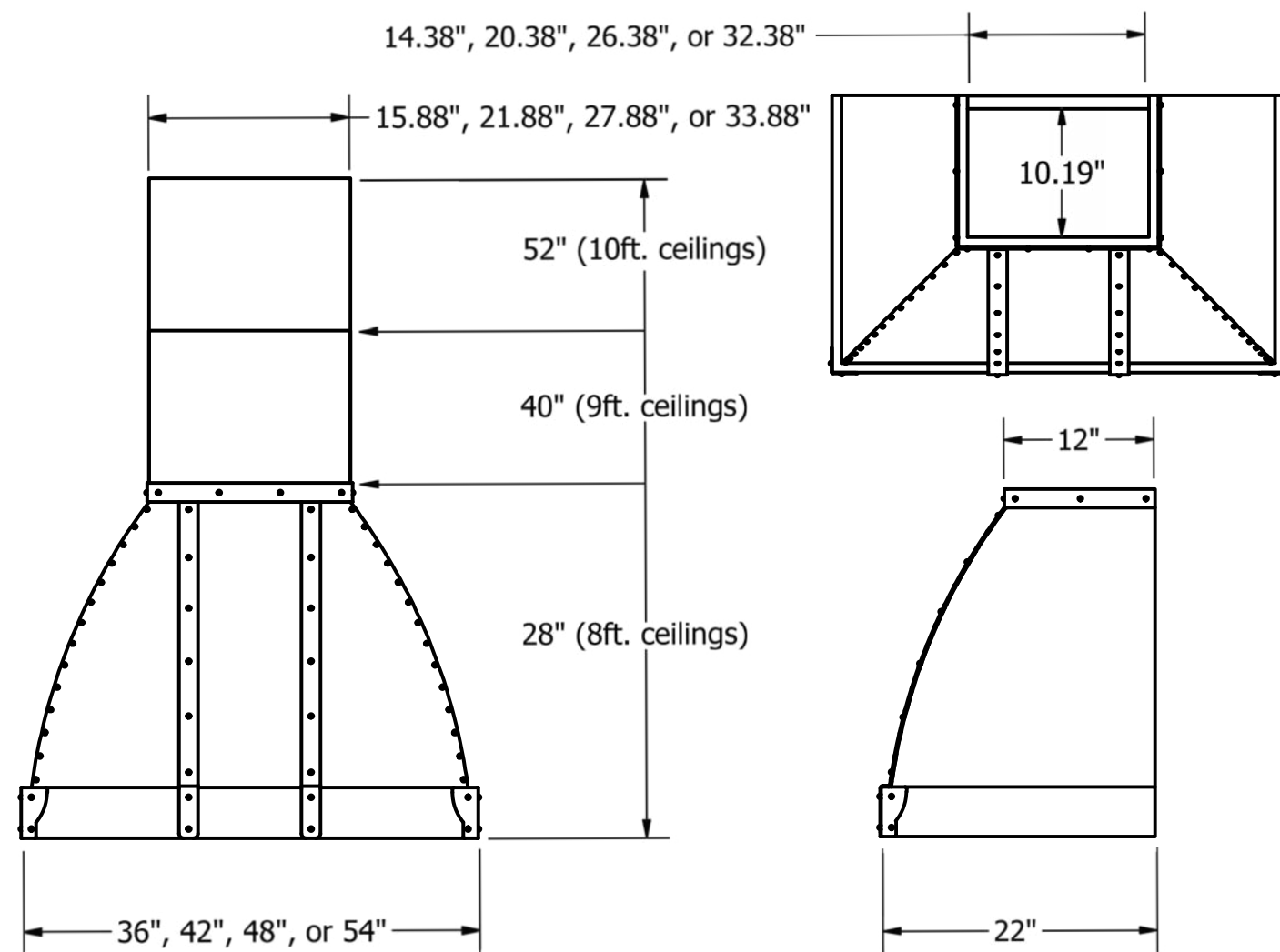
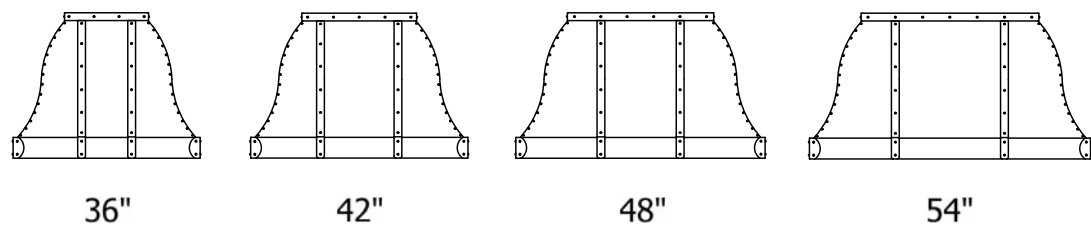
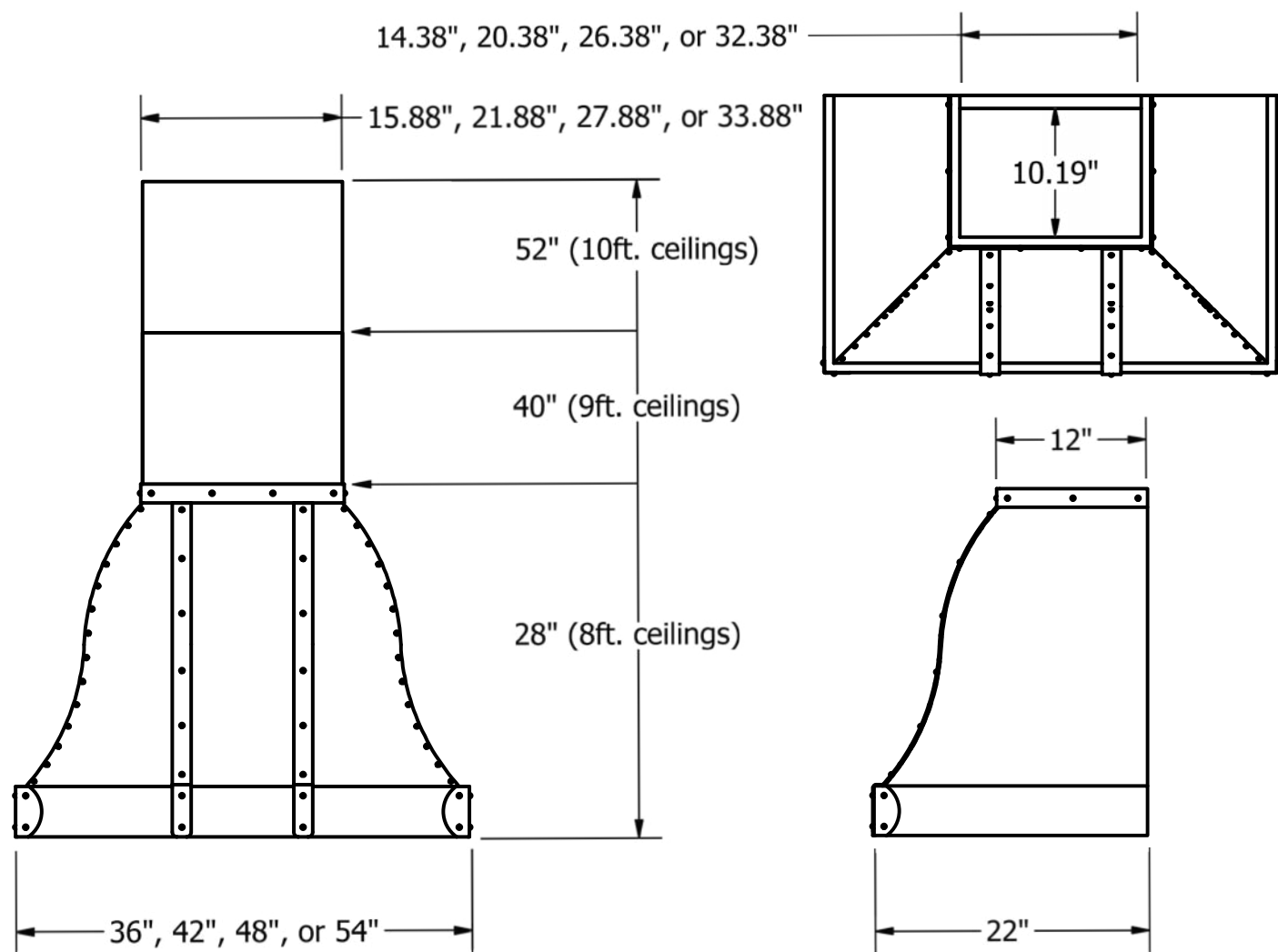


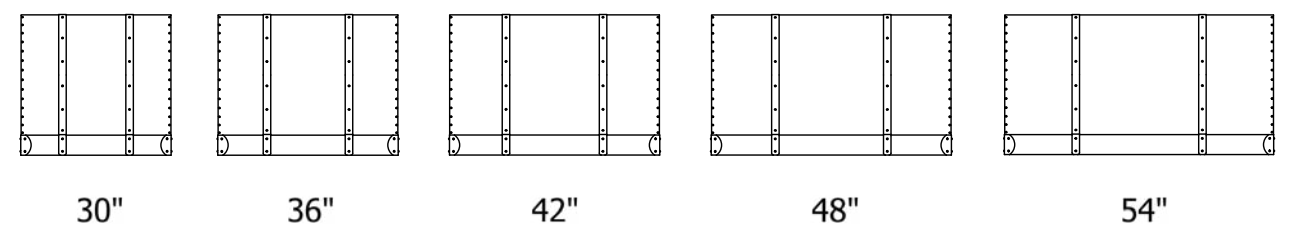
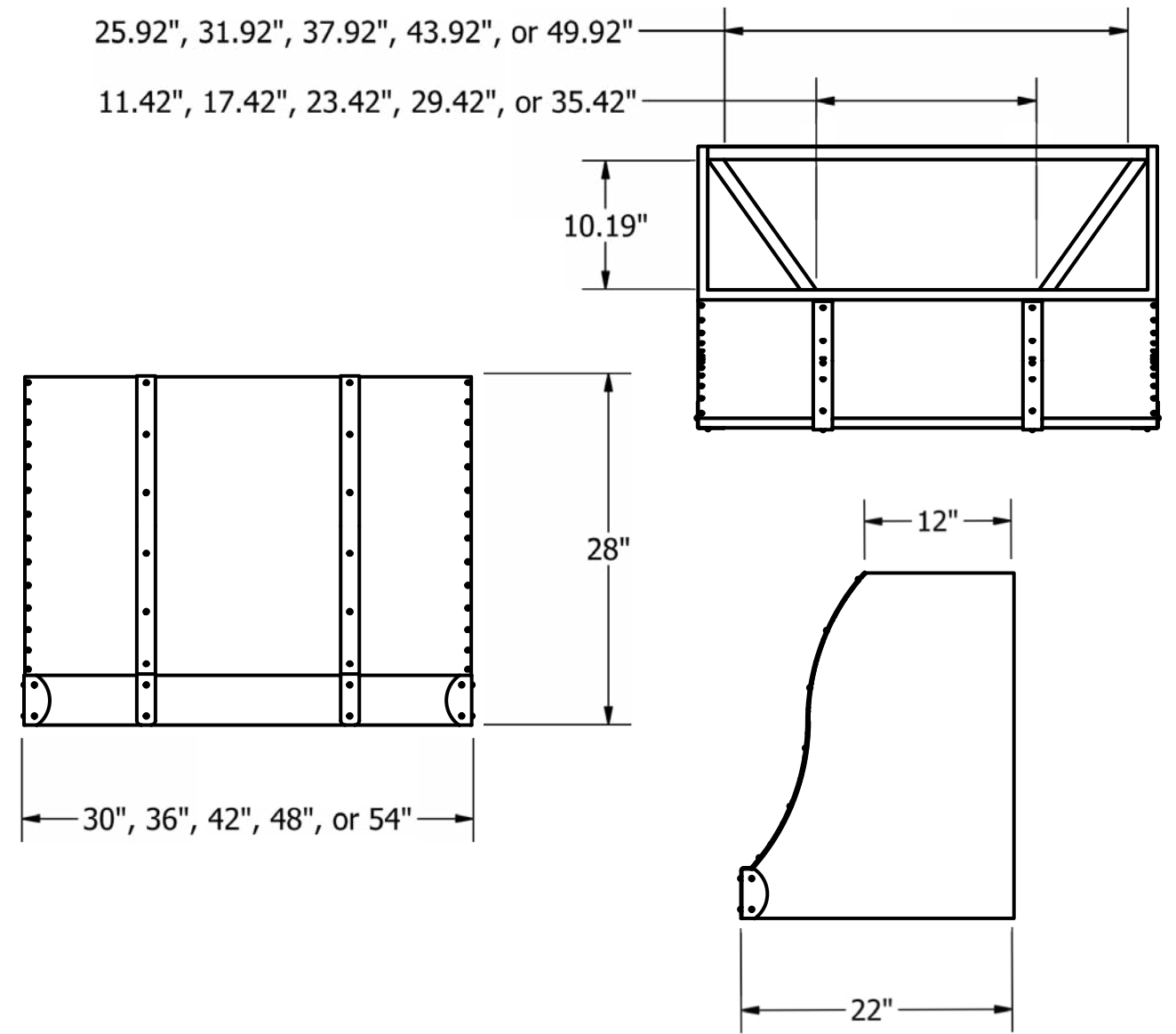
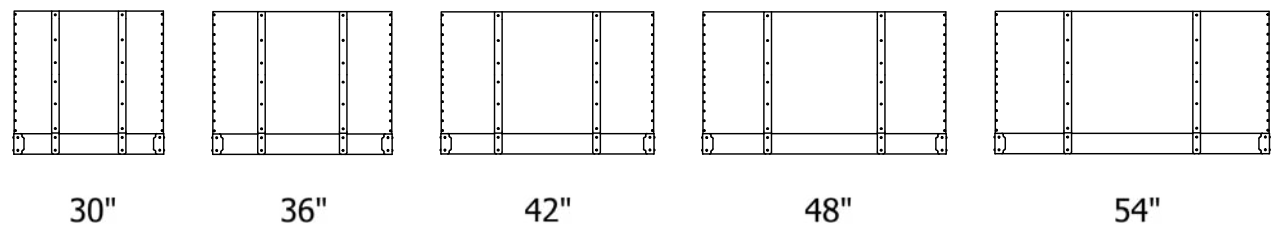
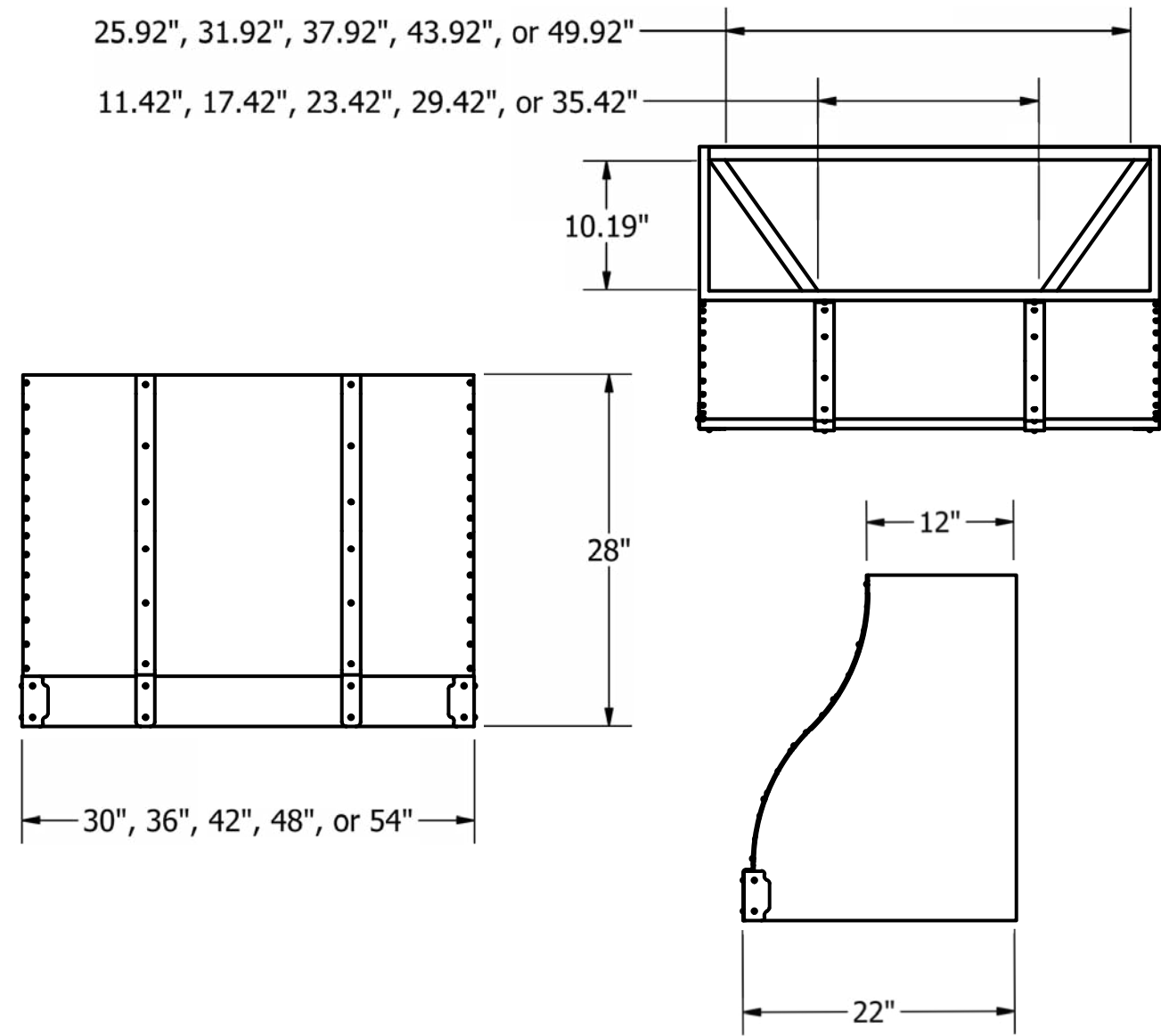
STRAIGHT

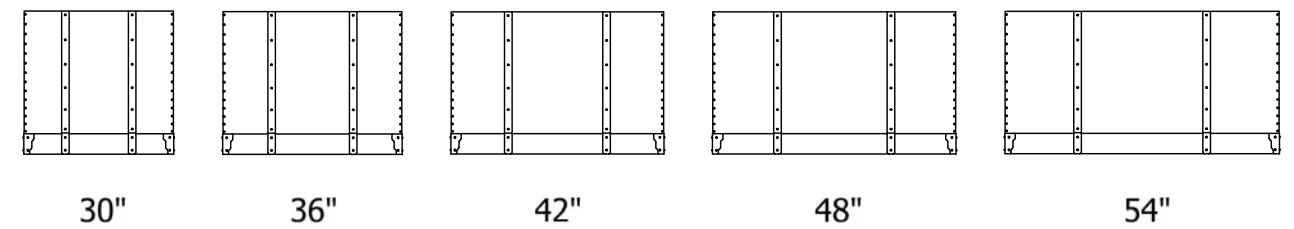
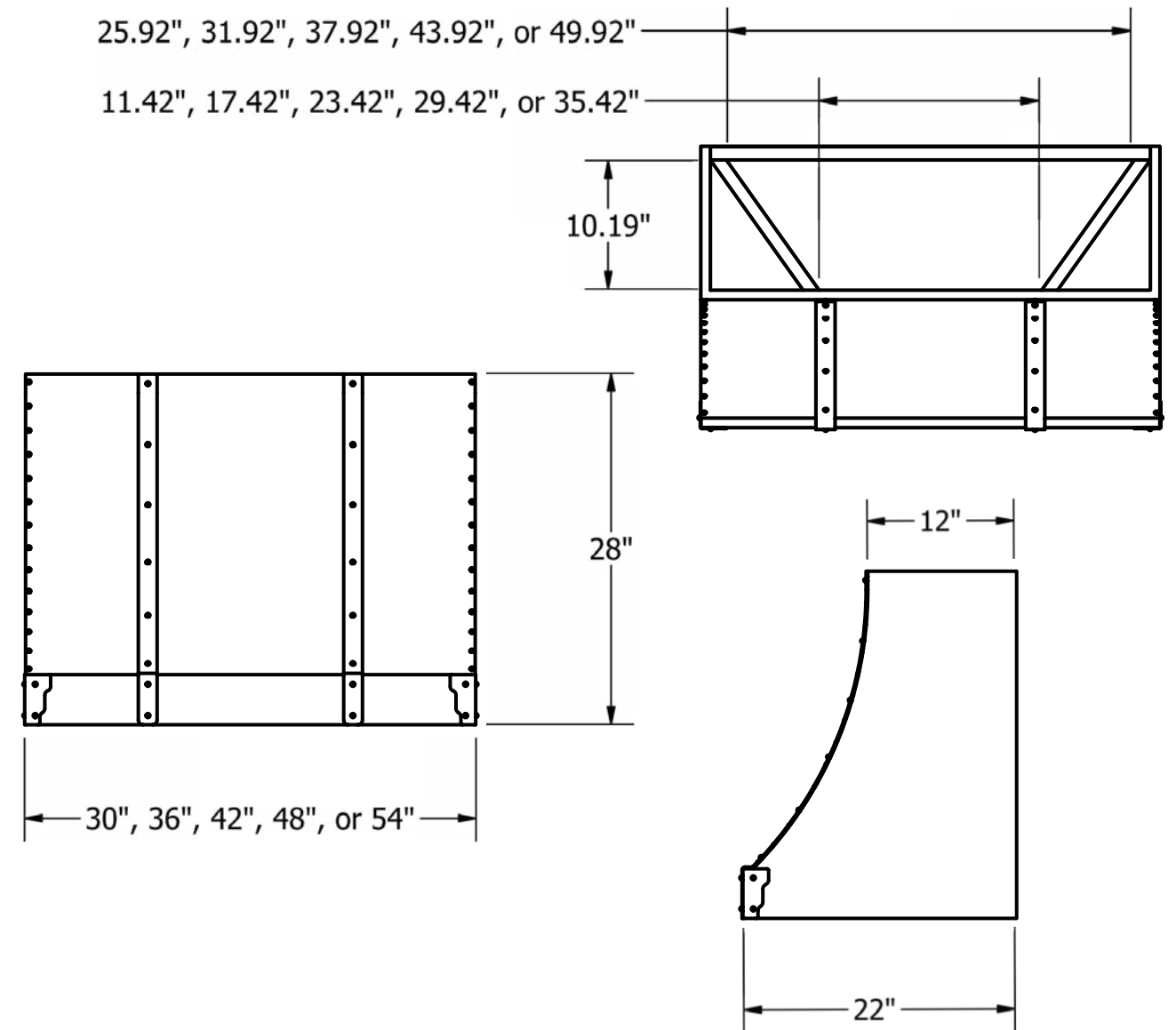
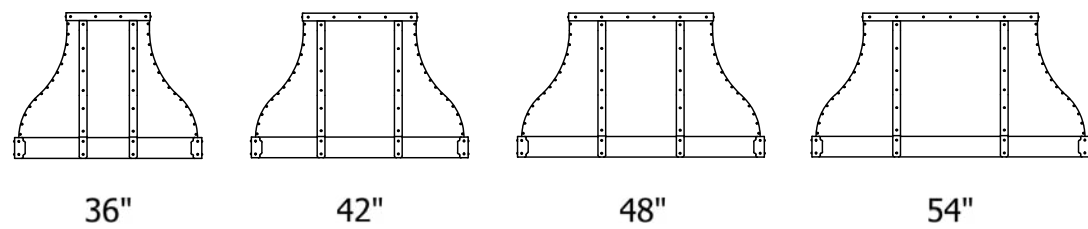
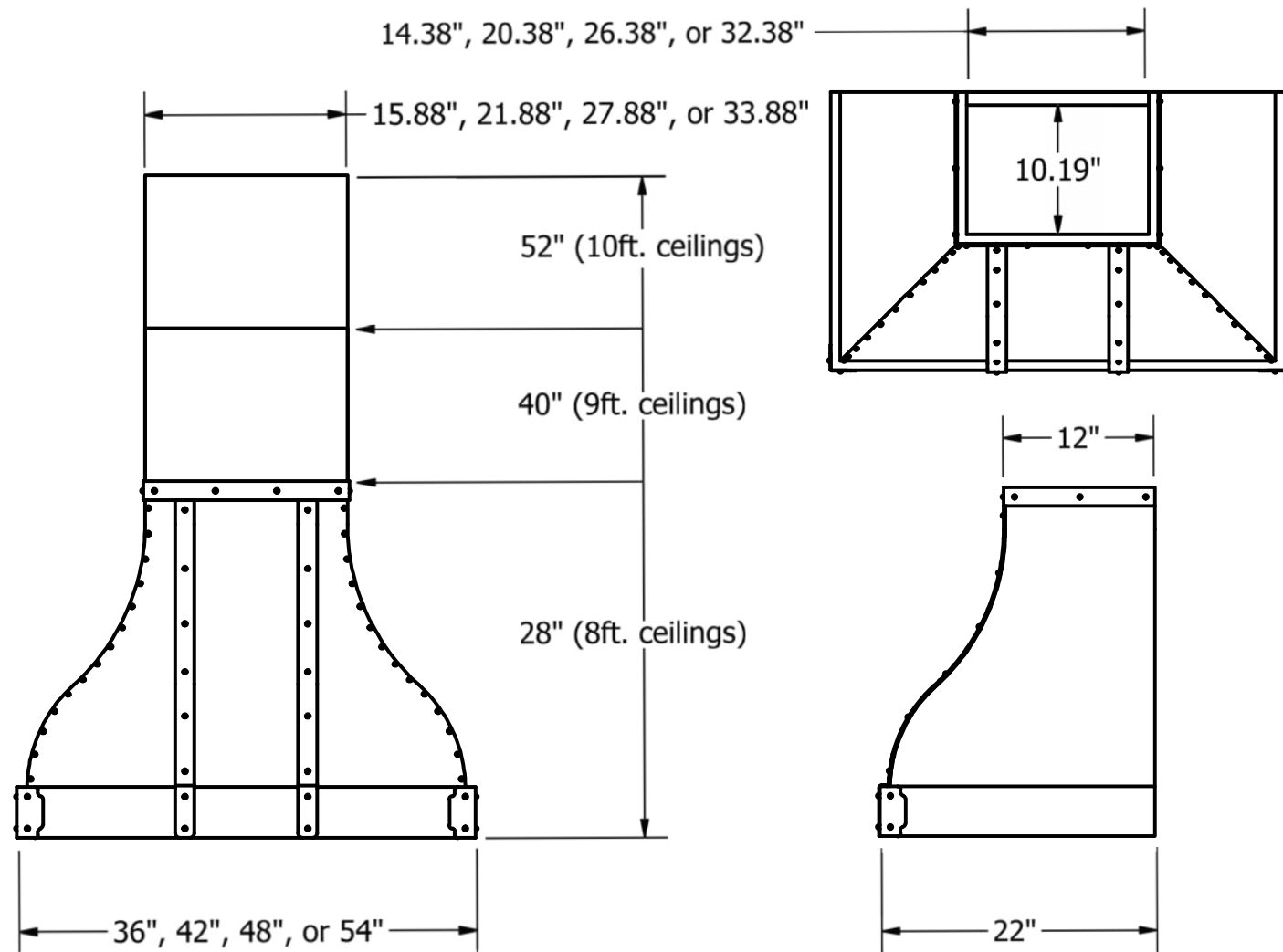


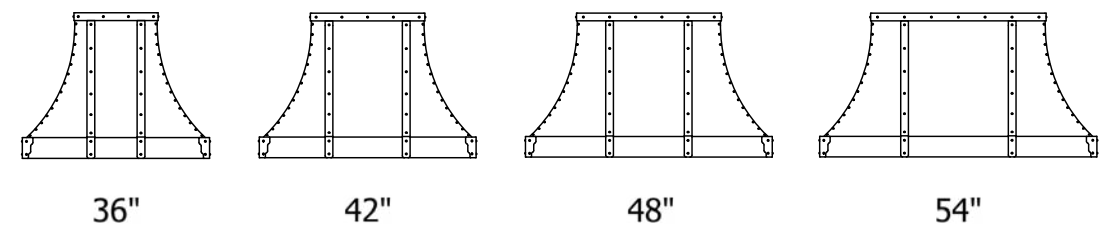
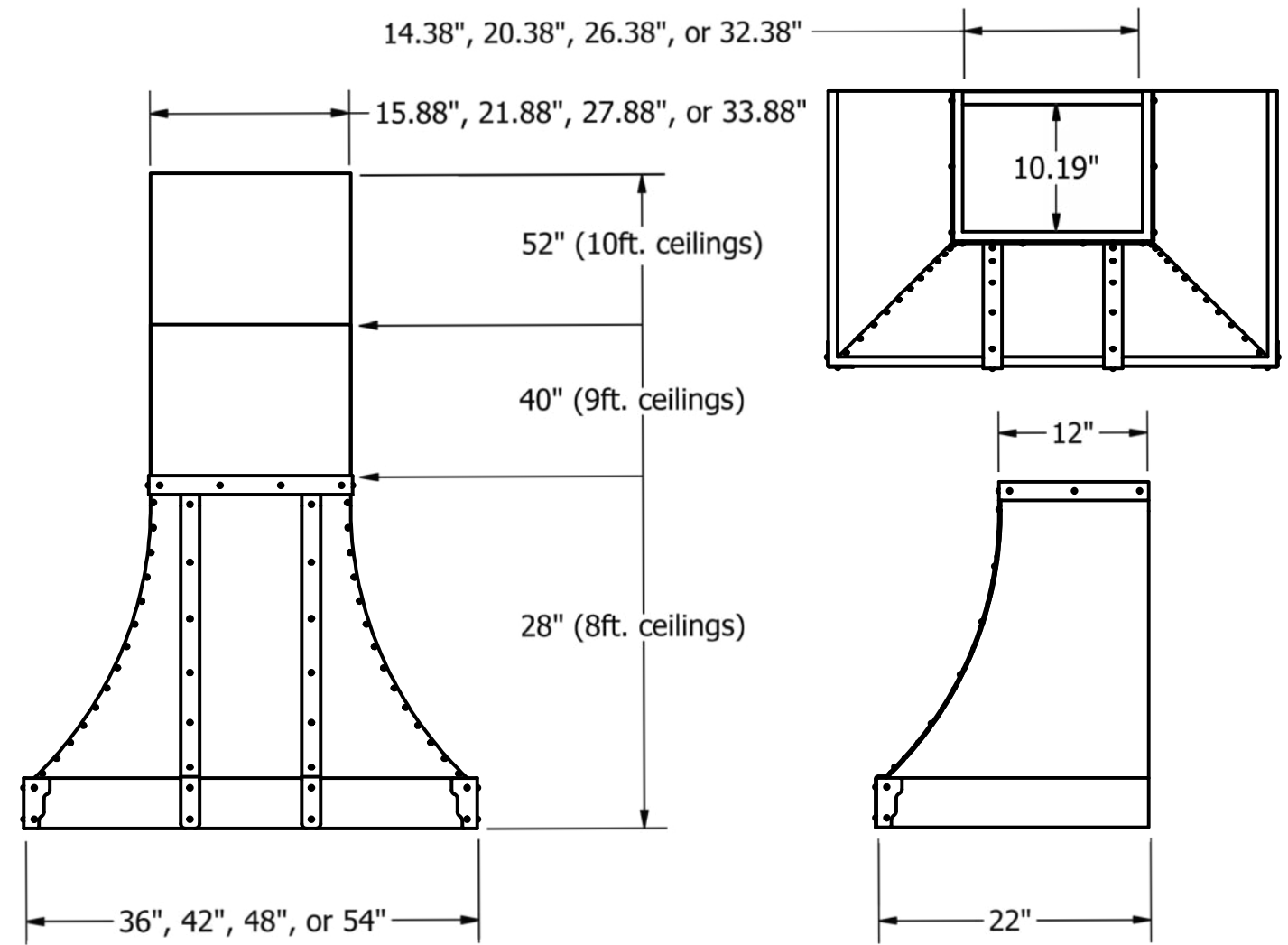
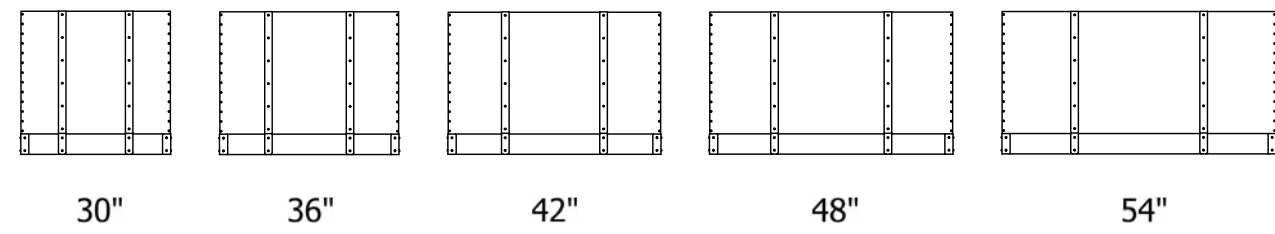
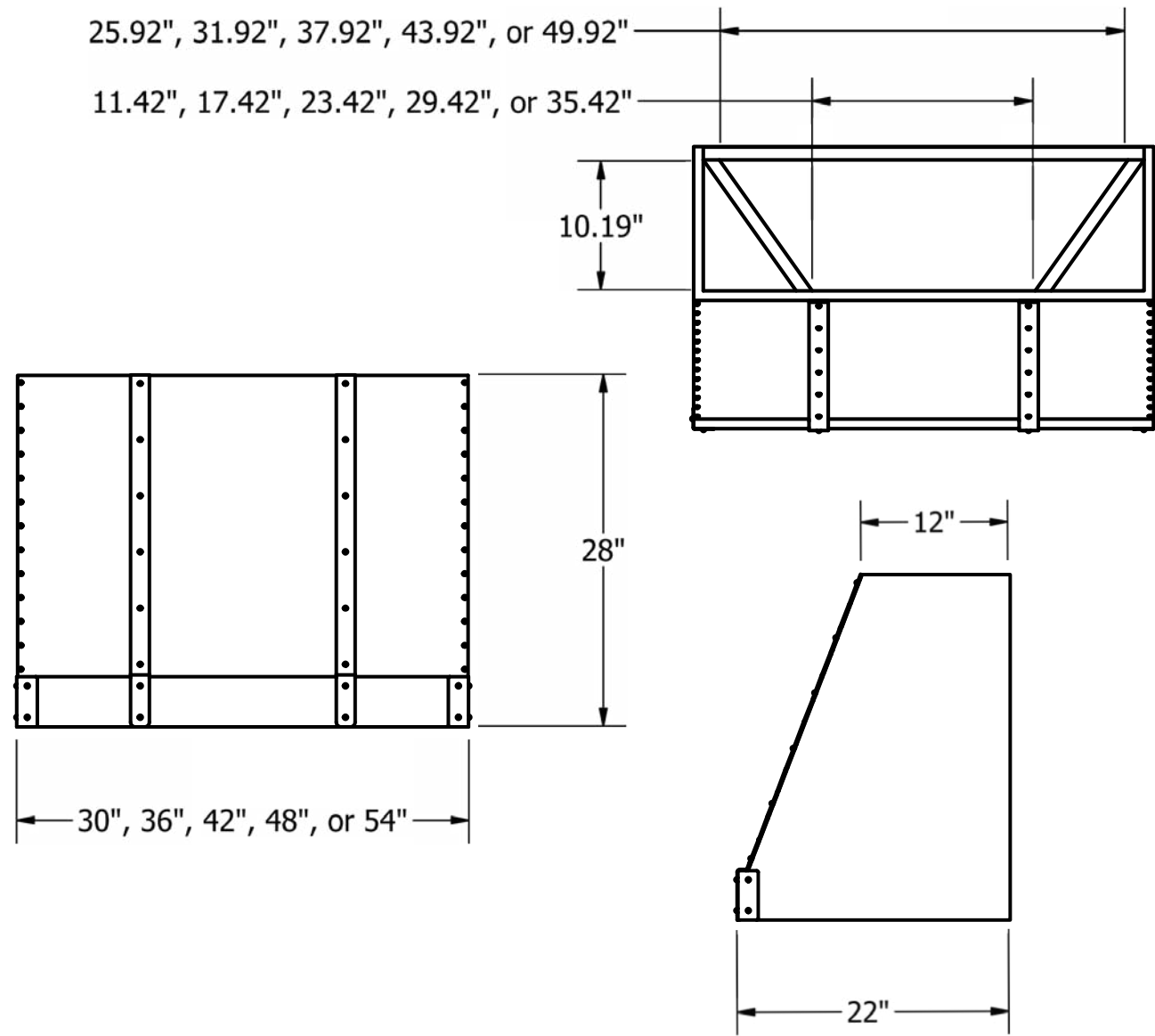
For metal finishes, please turn to page 45





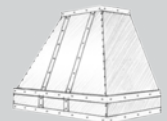




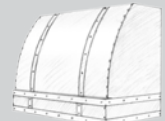


TRADITIONAL

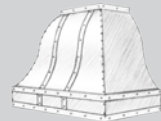
Tried and true. Classic looks are hard to beat, and our Traditional series will take you back. This series proves once and for all that tradition never dies.



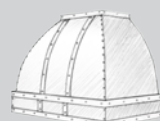
ANGLED



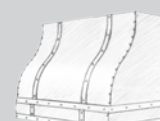
BARREL



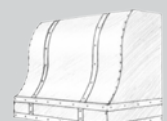
BELL



DOME



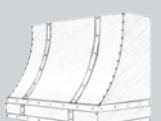
OGEE



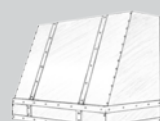
ROLL



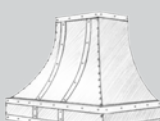
S-CURVE



SLOPE

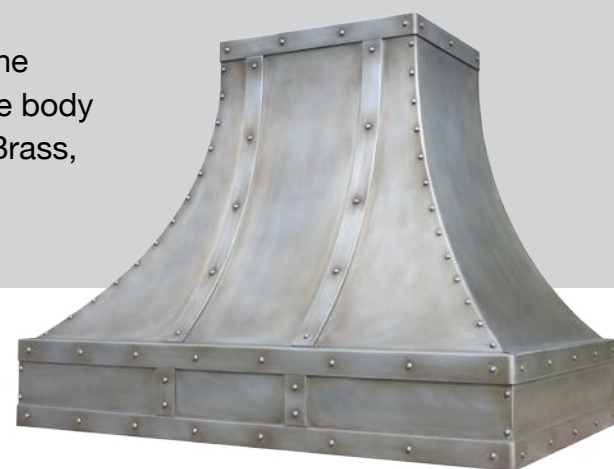


STRAIGHT



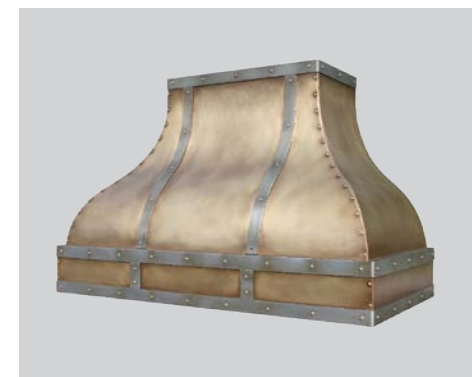
SWEEP

This series features 10 different body shapes with the defining feature being 2 horizontal apron straps. The body and straps are available in the following materials: Brass, Copper, Stainless Steel, Steel, and Zinc.

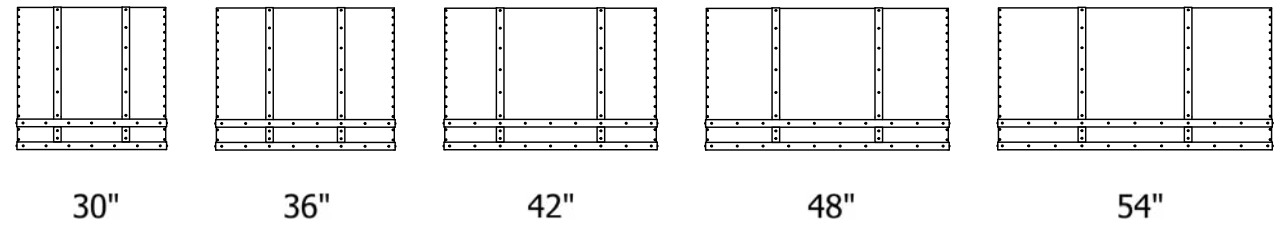
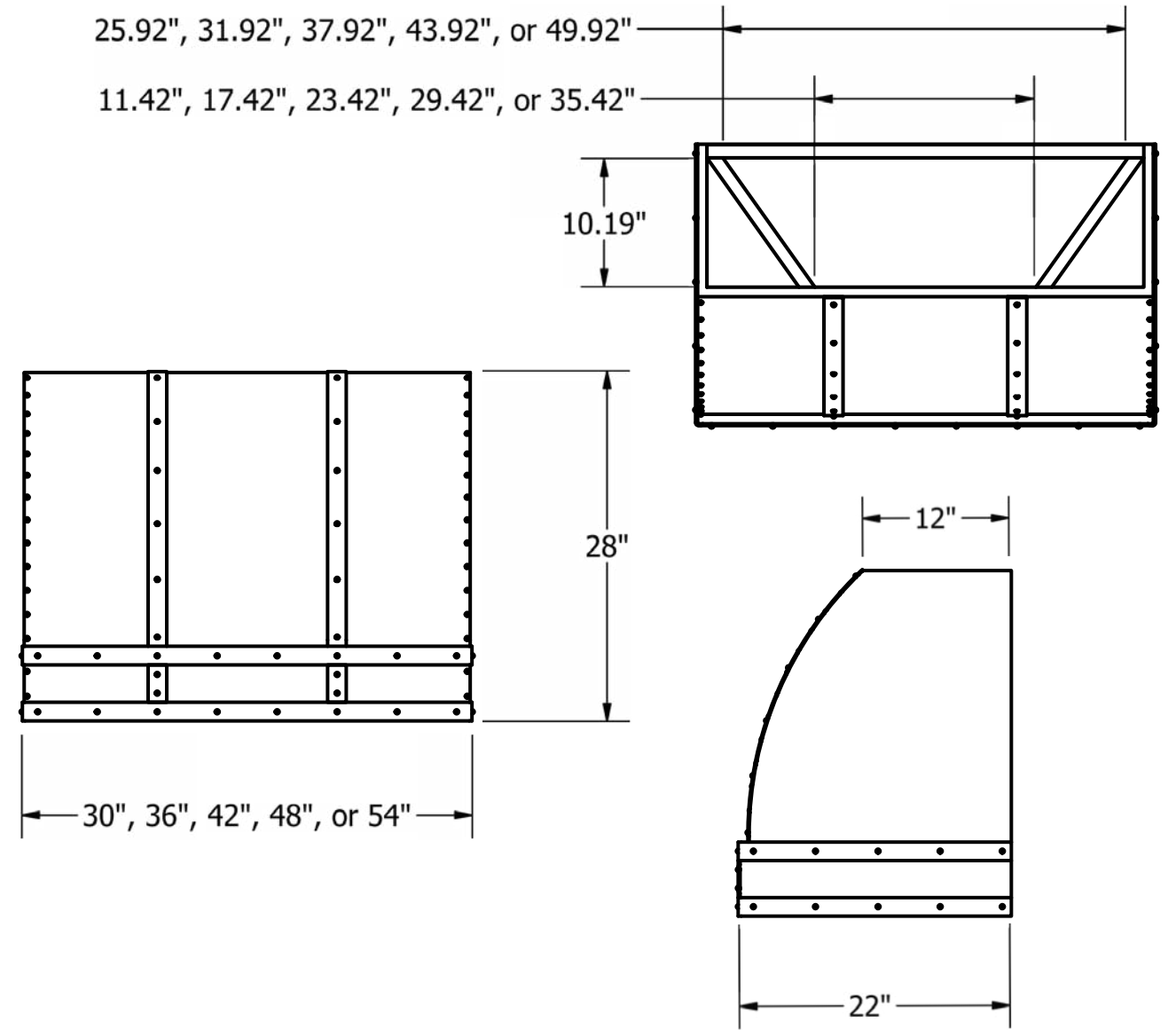
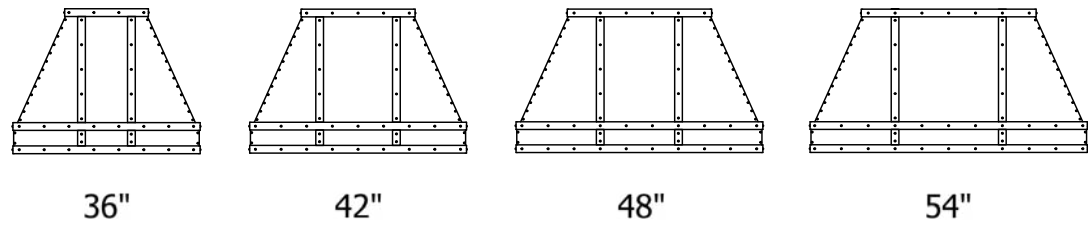
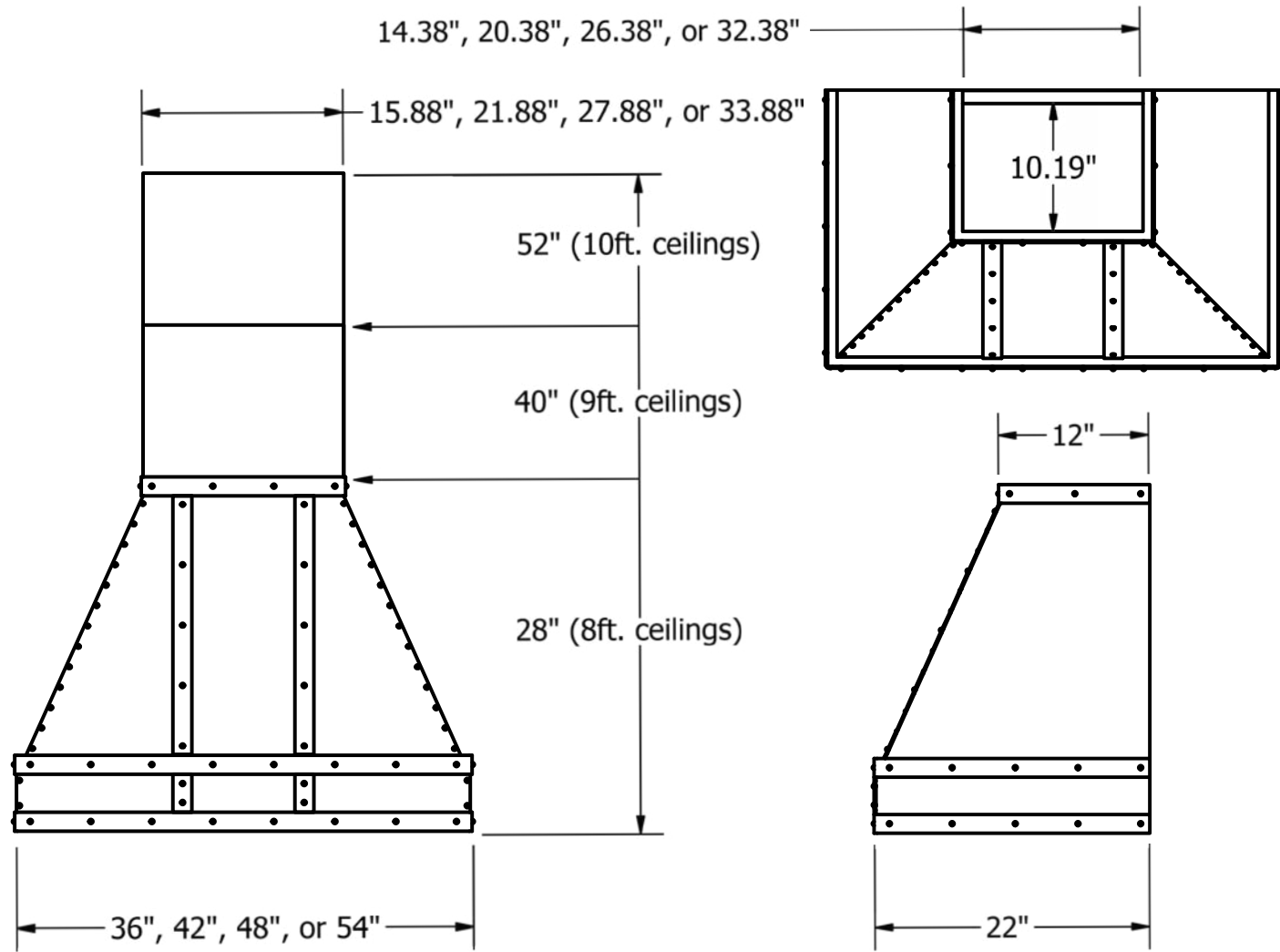


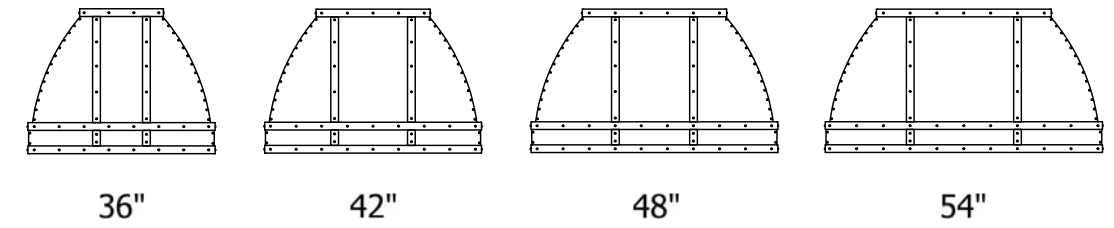
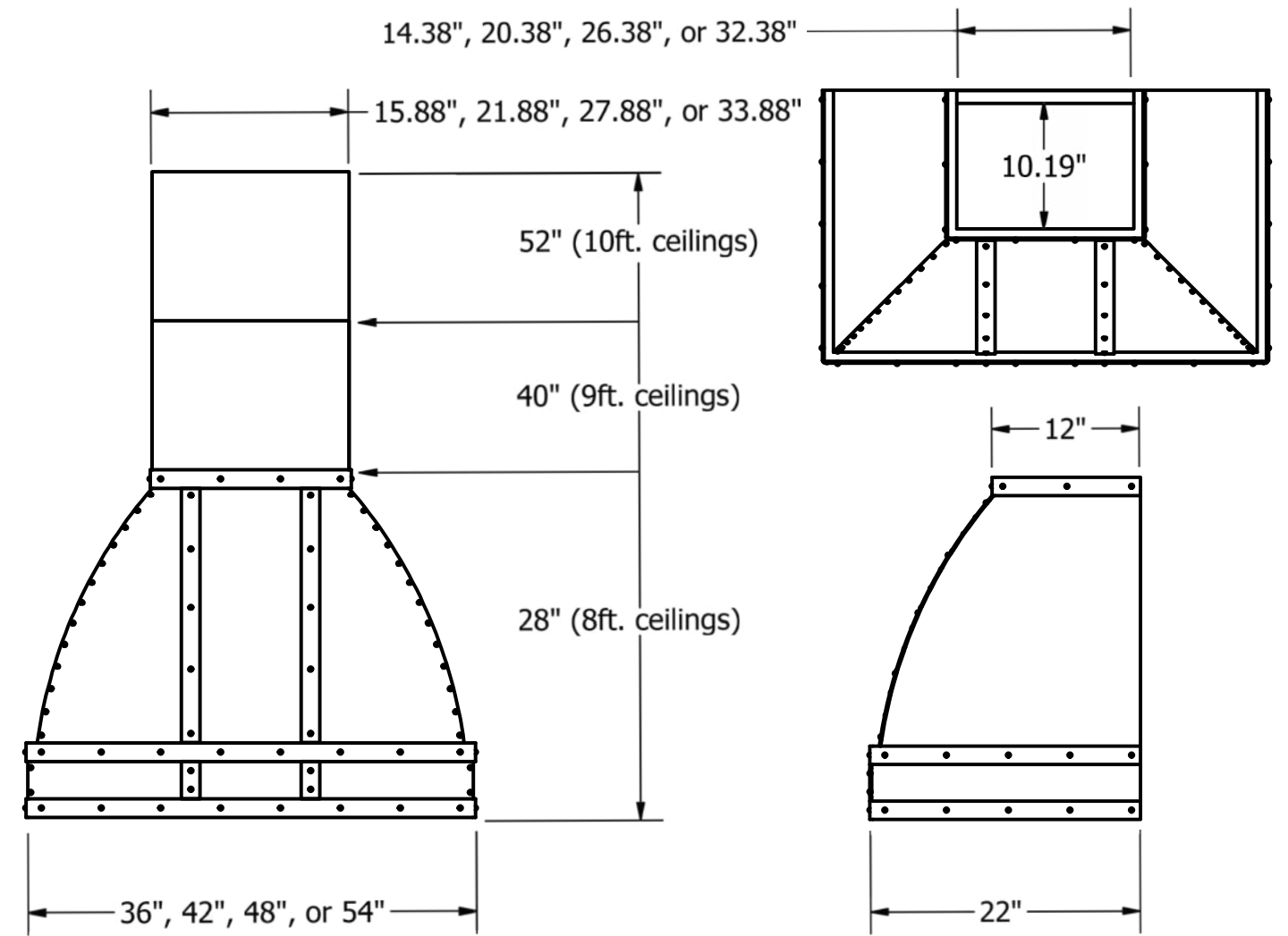
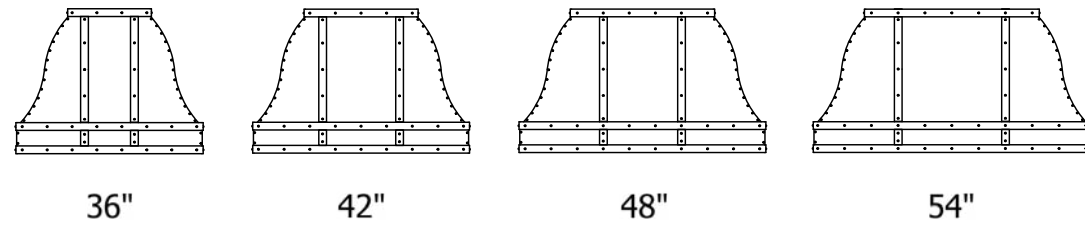
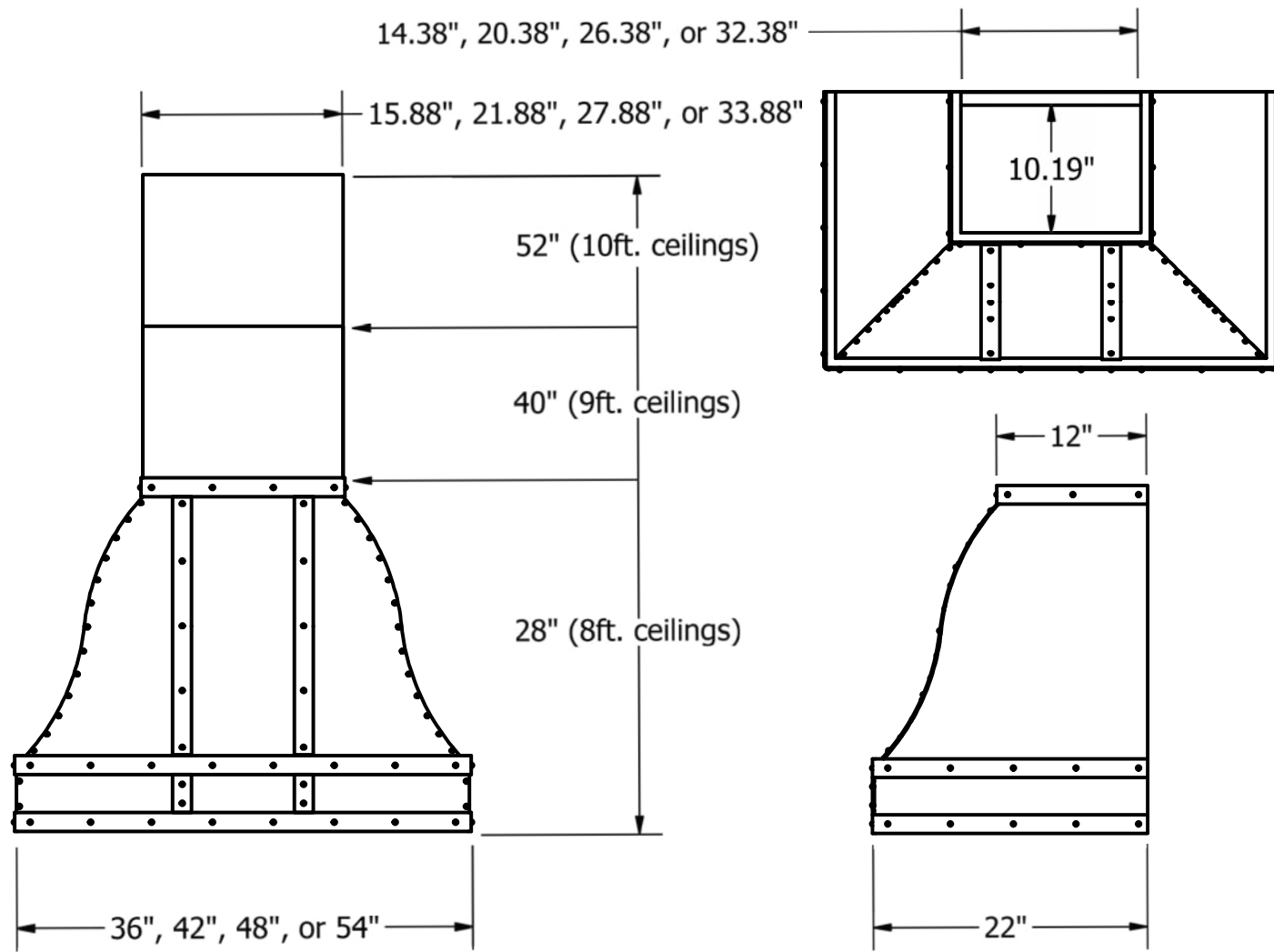
Traditional Sweep - 36x22x28
Antique Zinc

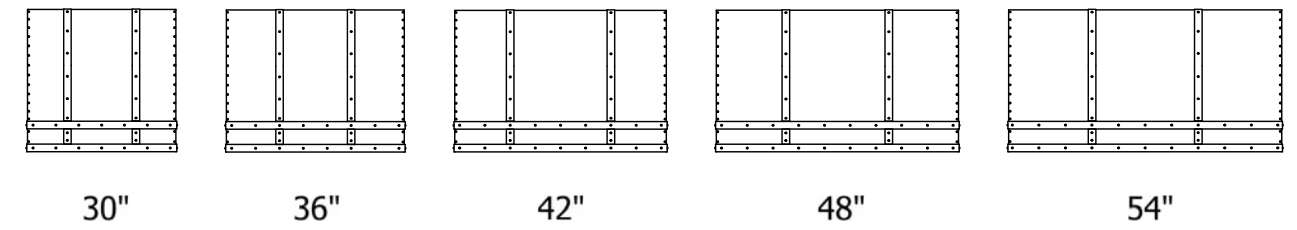
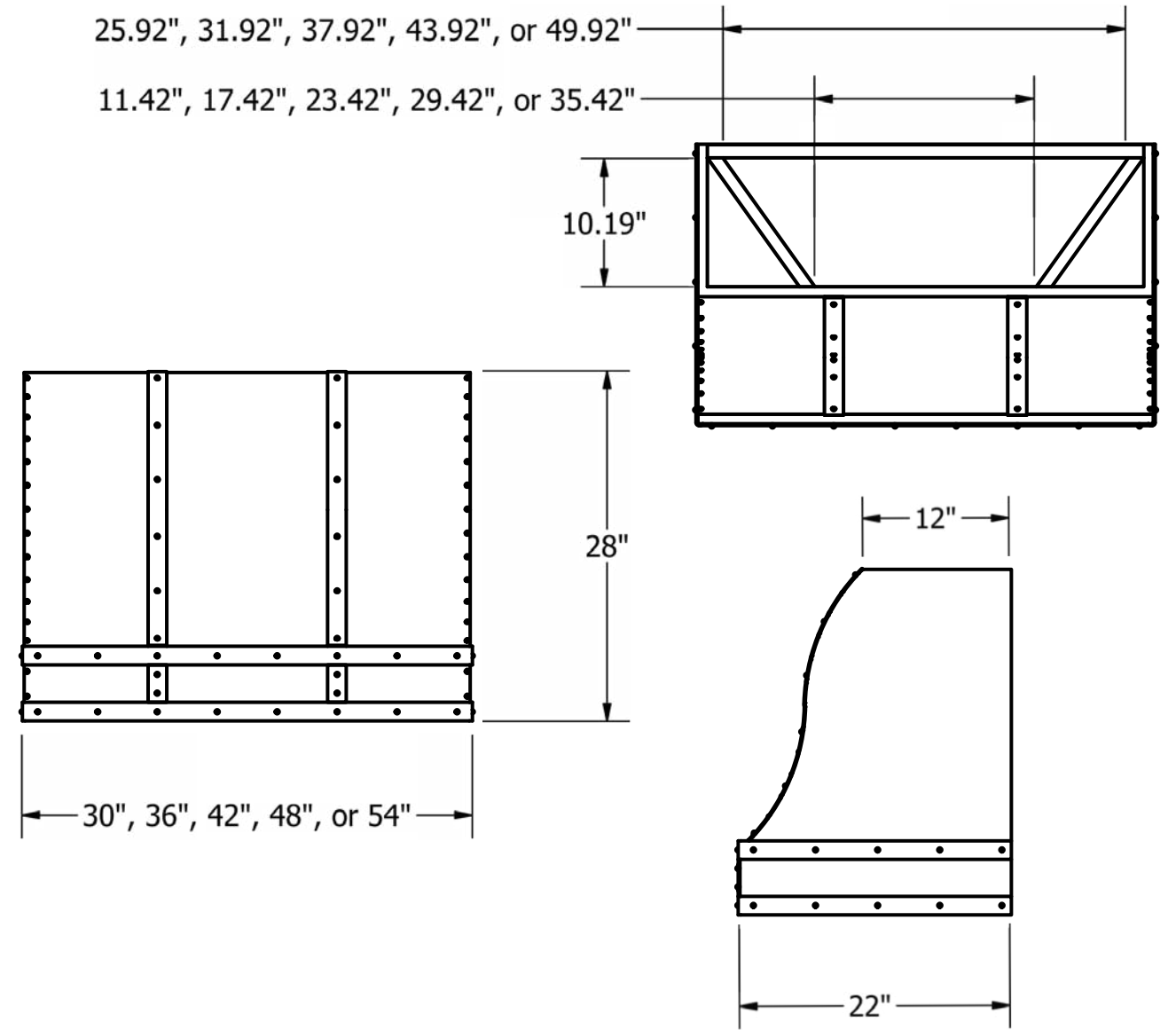
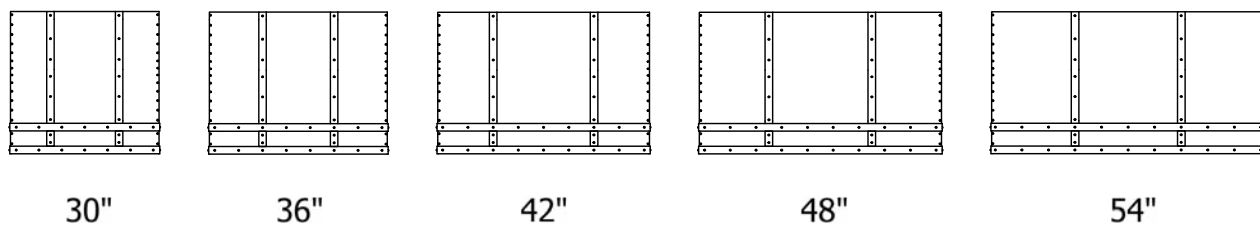
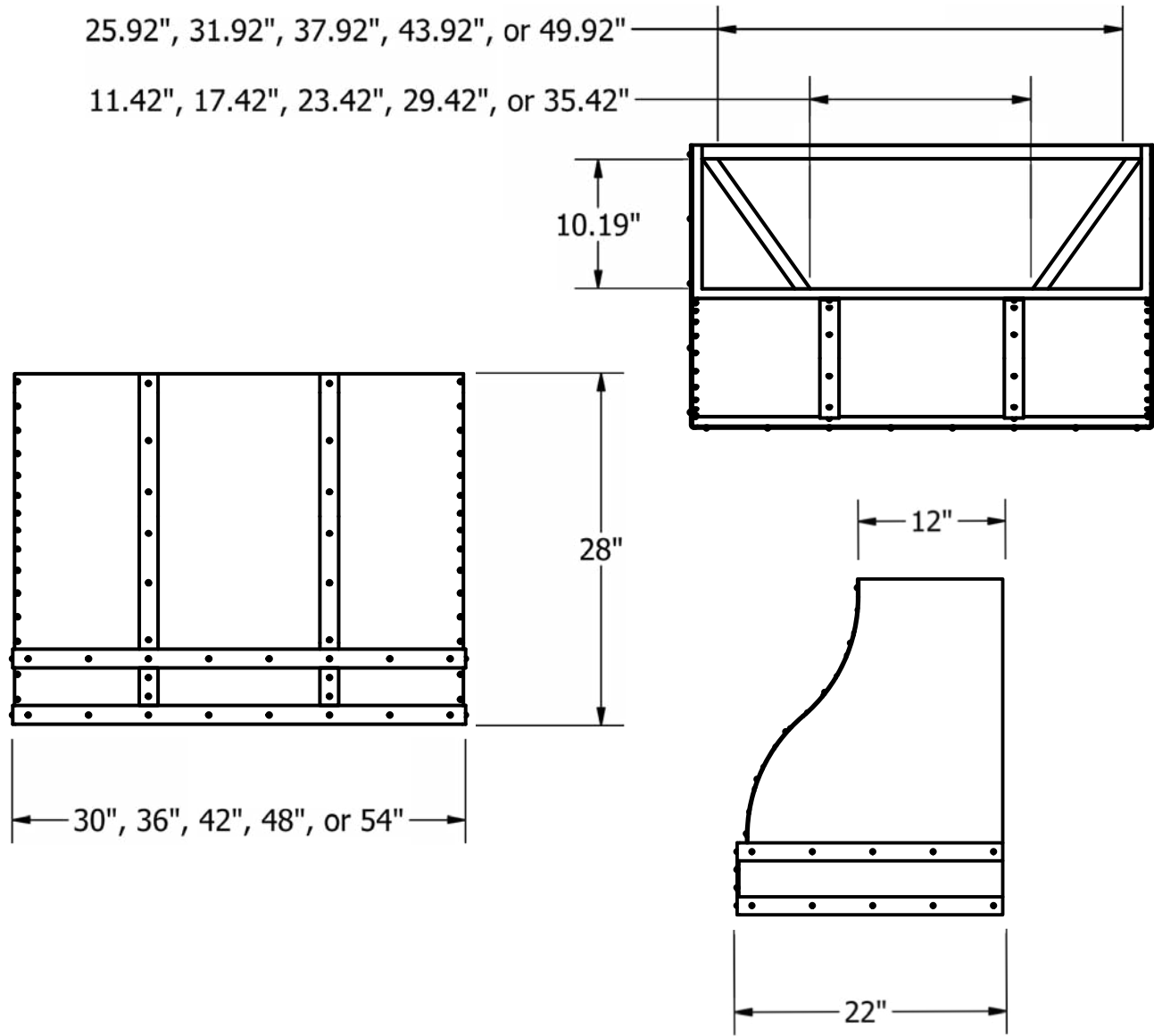
FEATURE: 2 HORIZONTAL APRON STRAPS

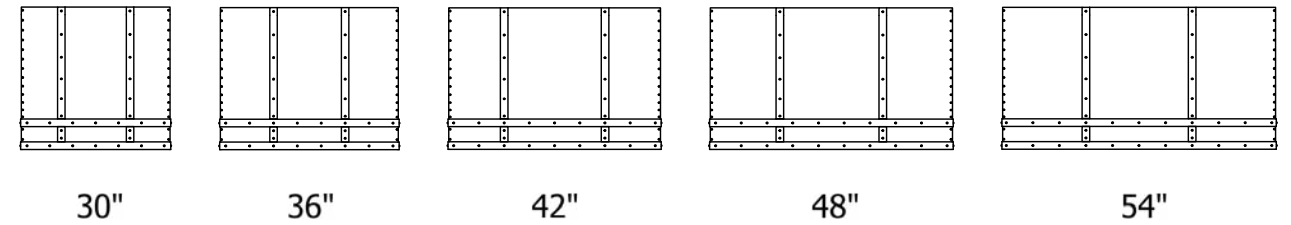
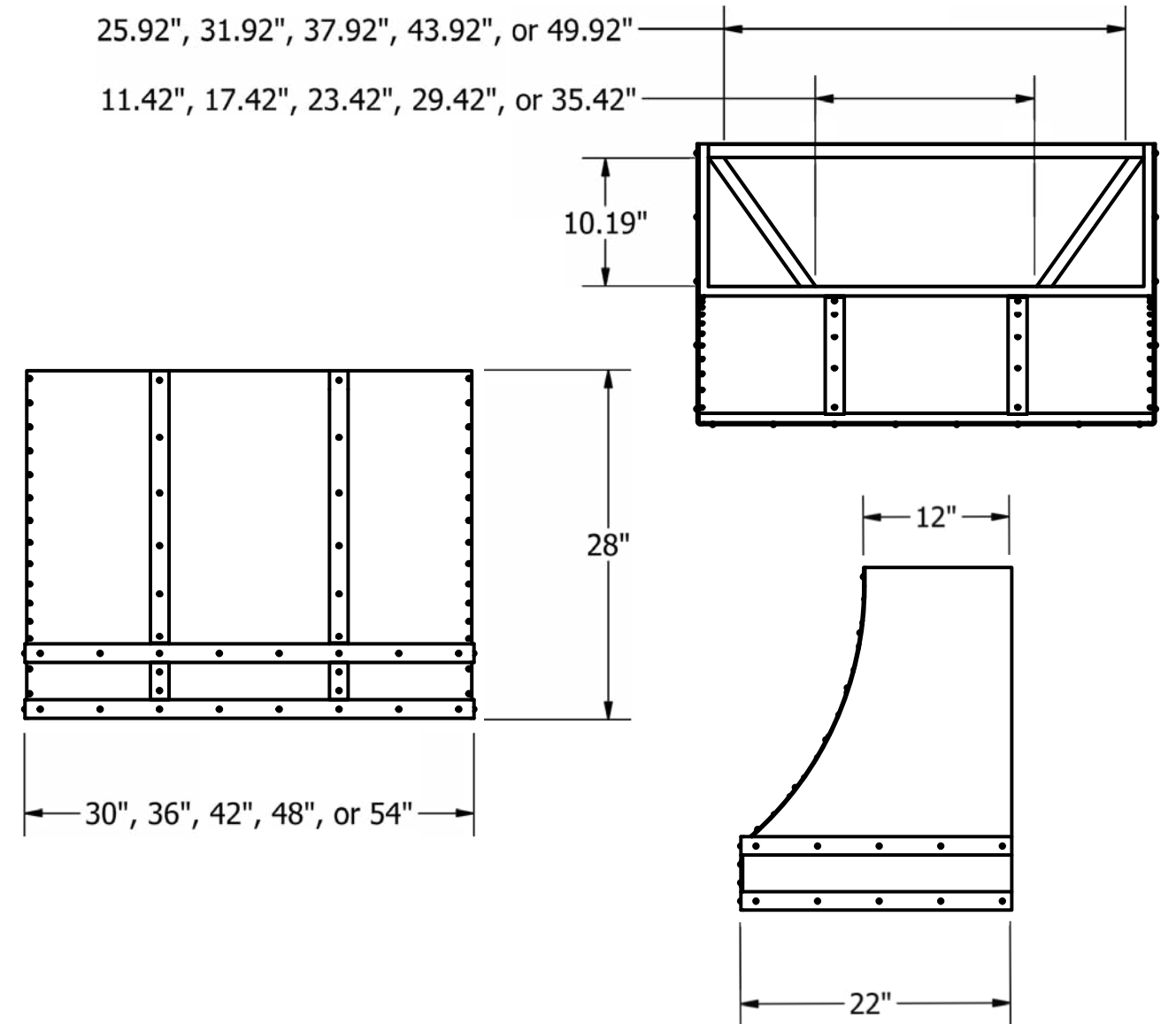
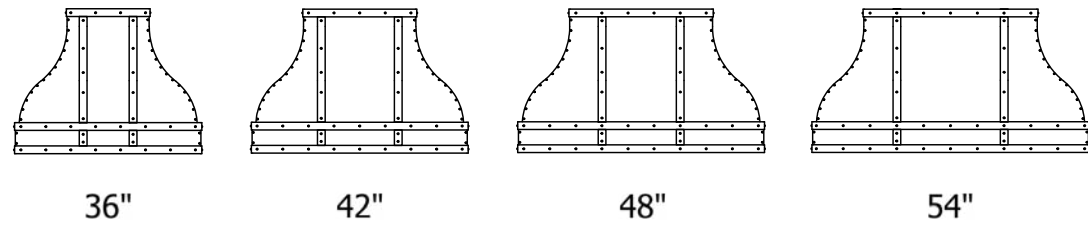
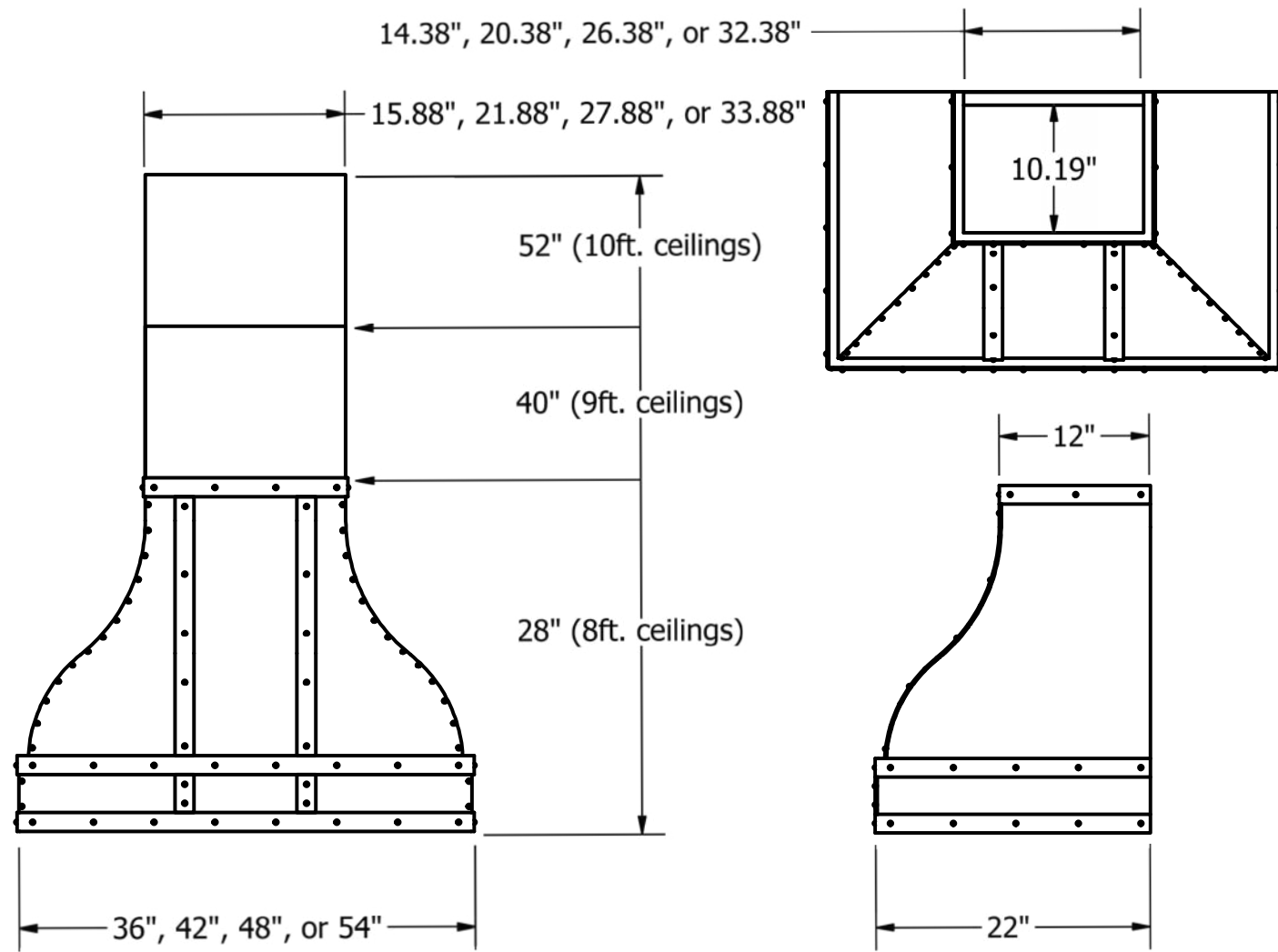


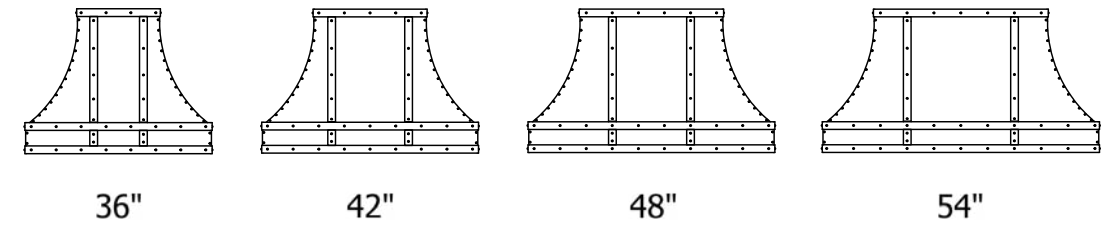
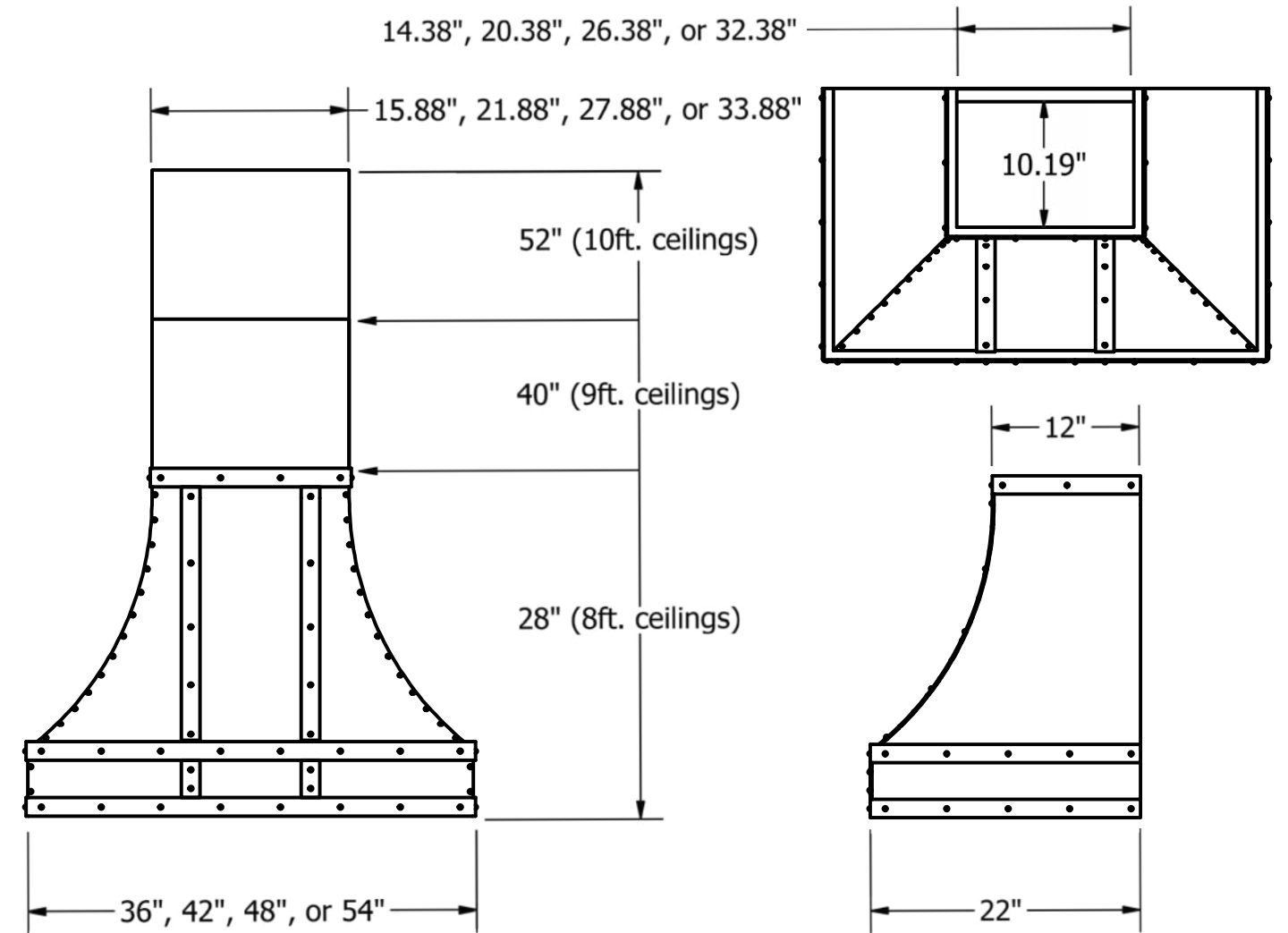
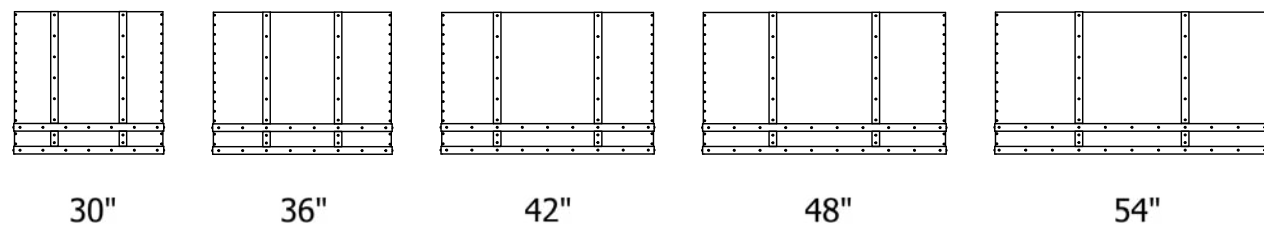
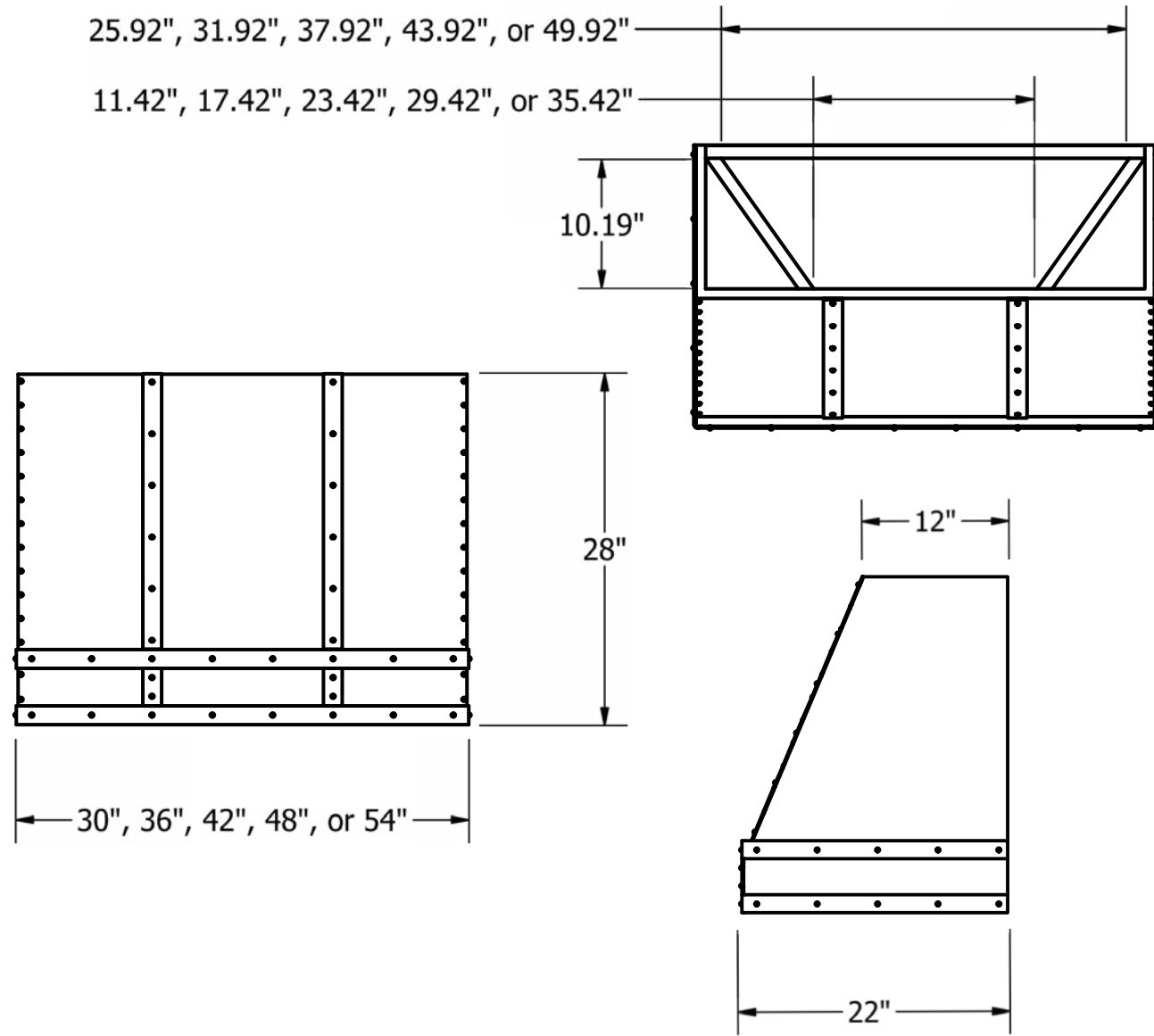
For metal finishes, please turn to page 45





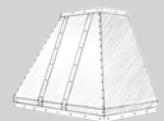




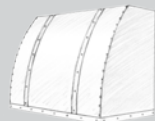


TRANSITIONAL

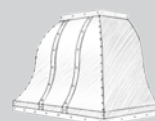
Change is good. The simplicity of our Transitional series will bring a refined look to your kitchen, and show everyone that you're not afraid of moving forward.



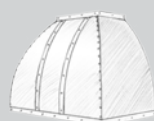
ANGLED



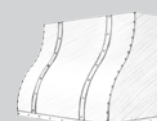
BARREL



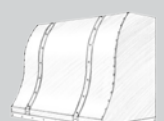
BELL



DOME



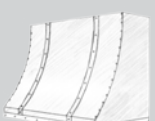
OGEE



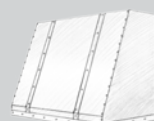
ROLL



S-CURVE



SLOPE

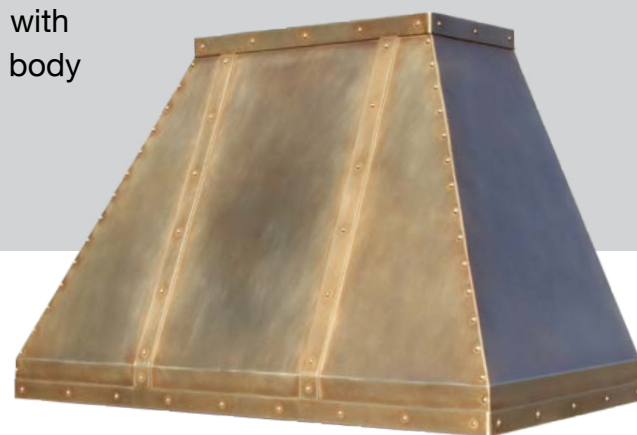


STRAIGHT



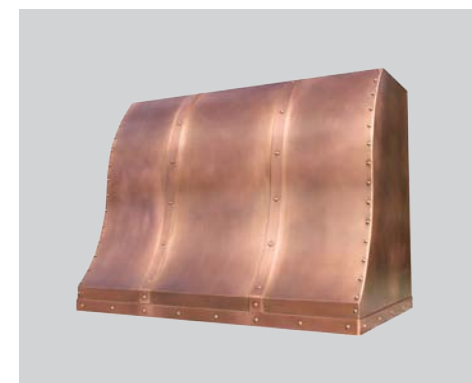
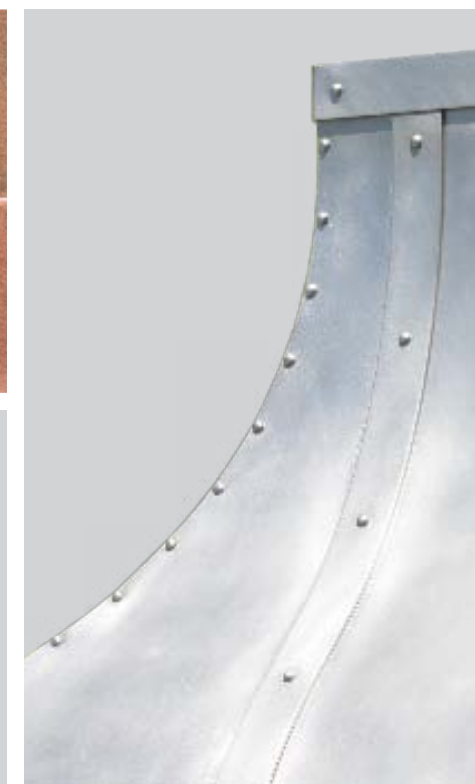
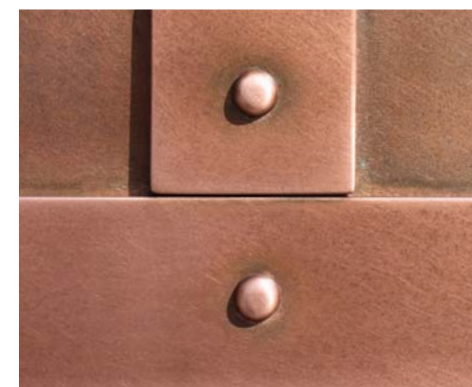
SWEEP

This series features 10 different body shapes along with a sleek strapping package to accent the hood. The body and straps are available in the following materials: Brass, Copper, Stainless Steel, Steel, and Zinc.

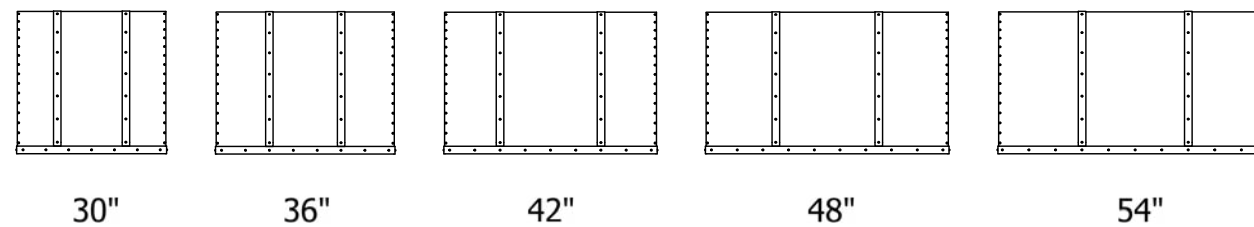
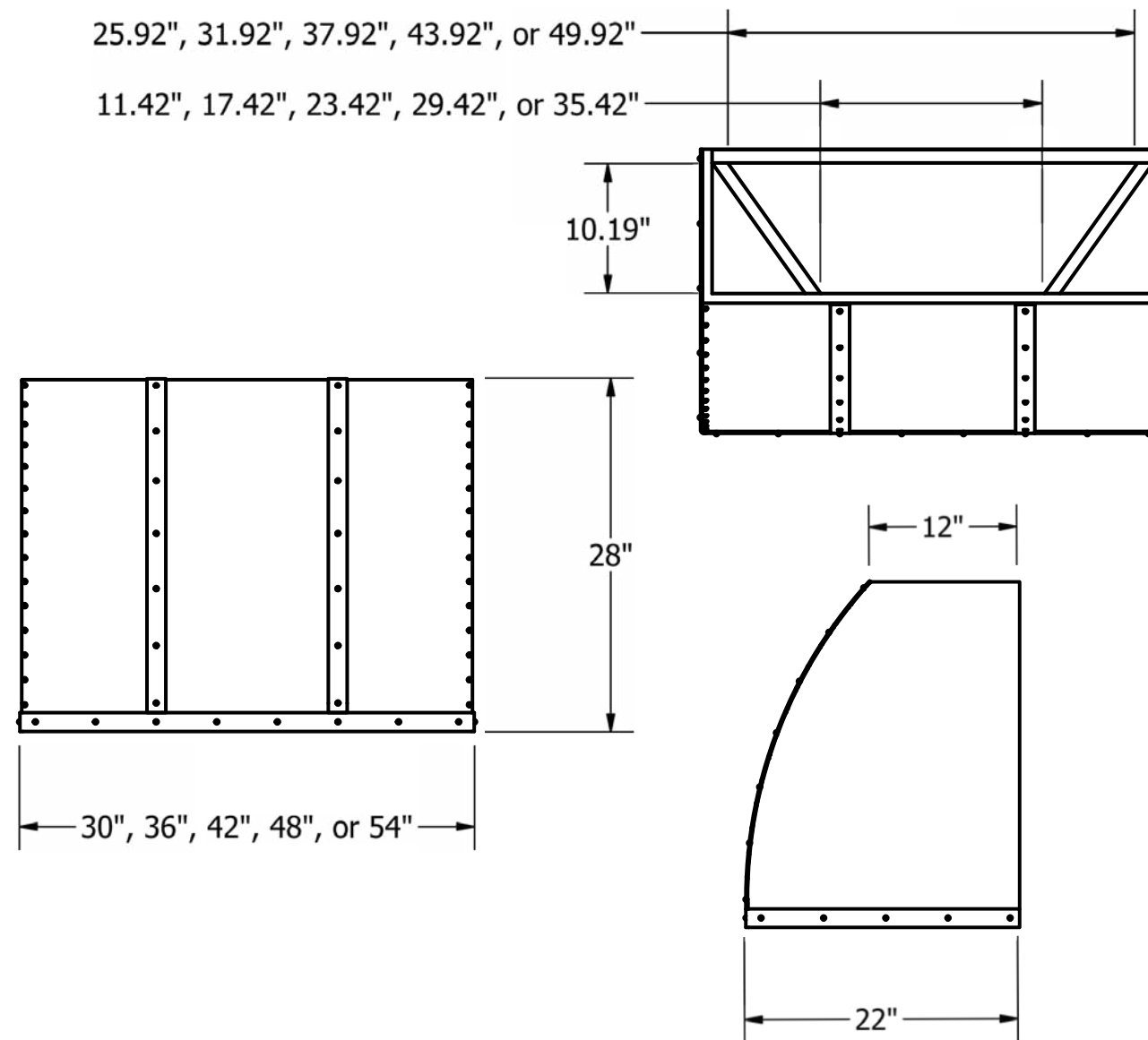
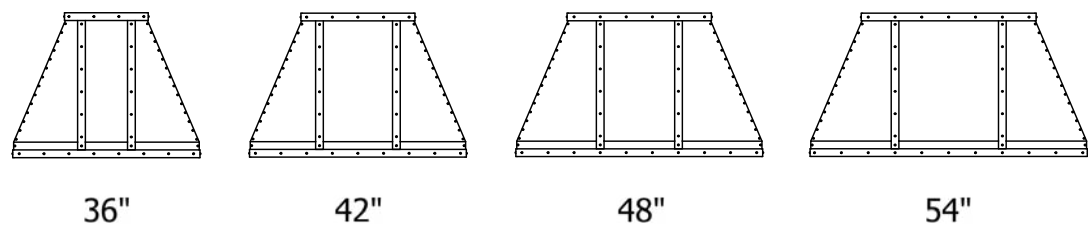
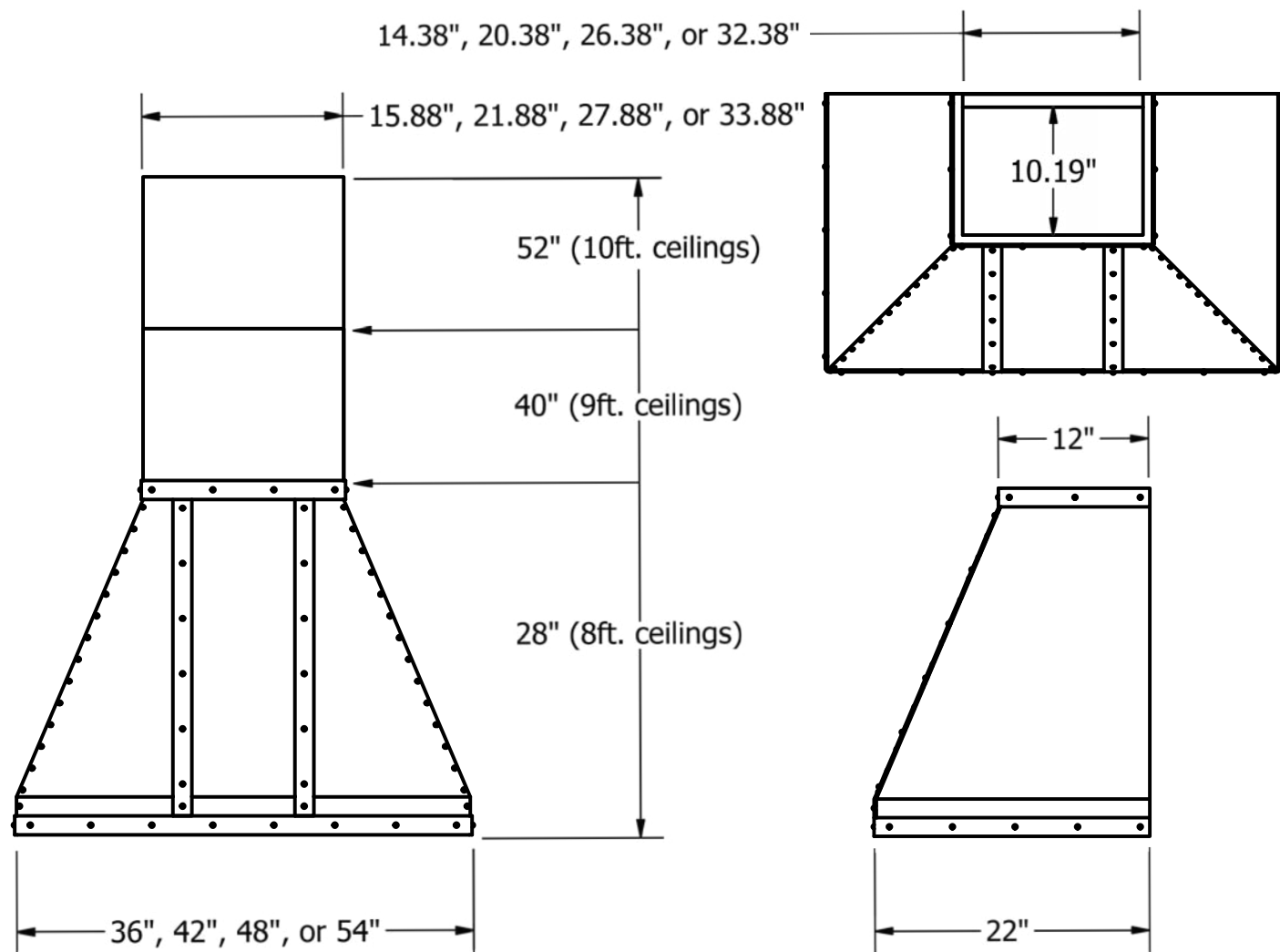


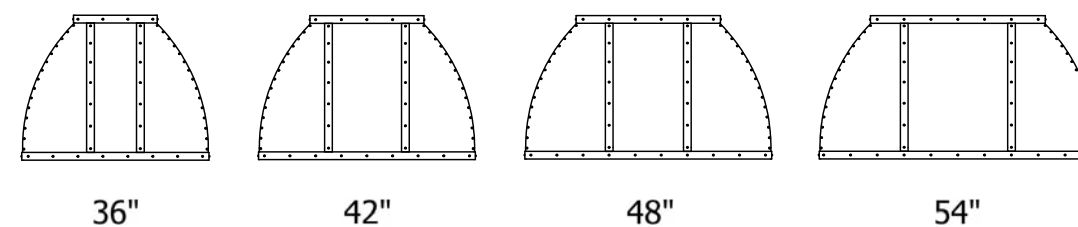
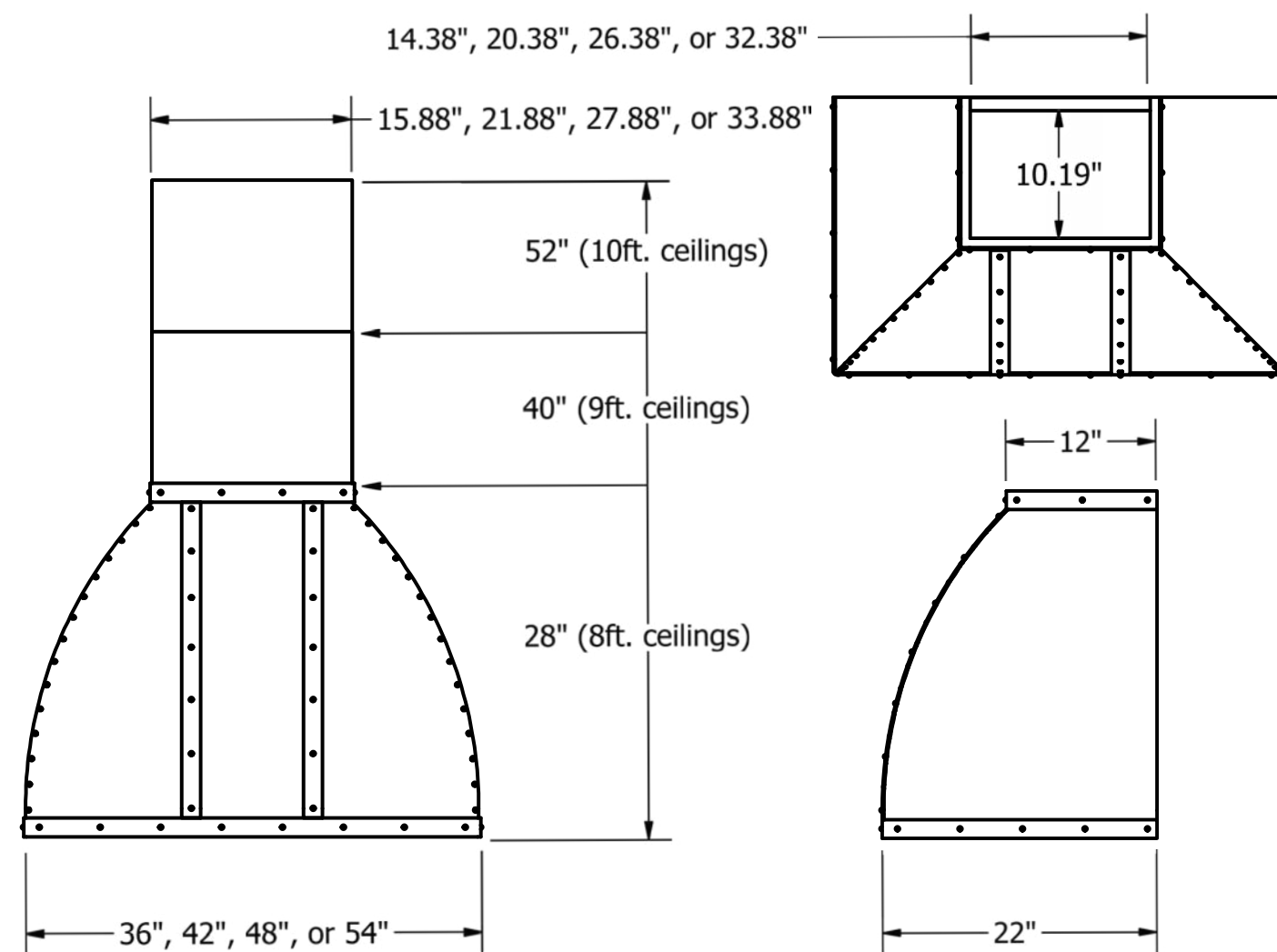
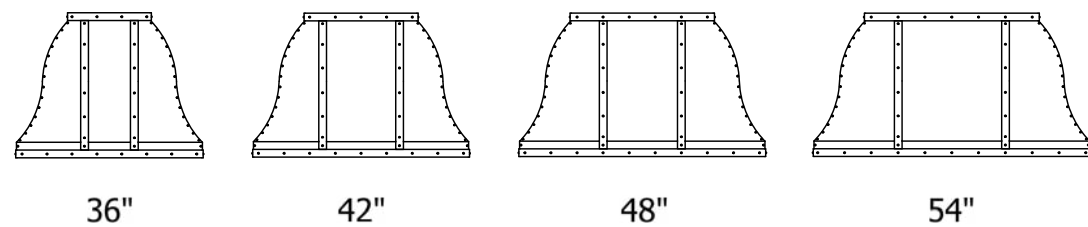
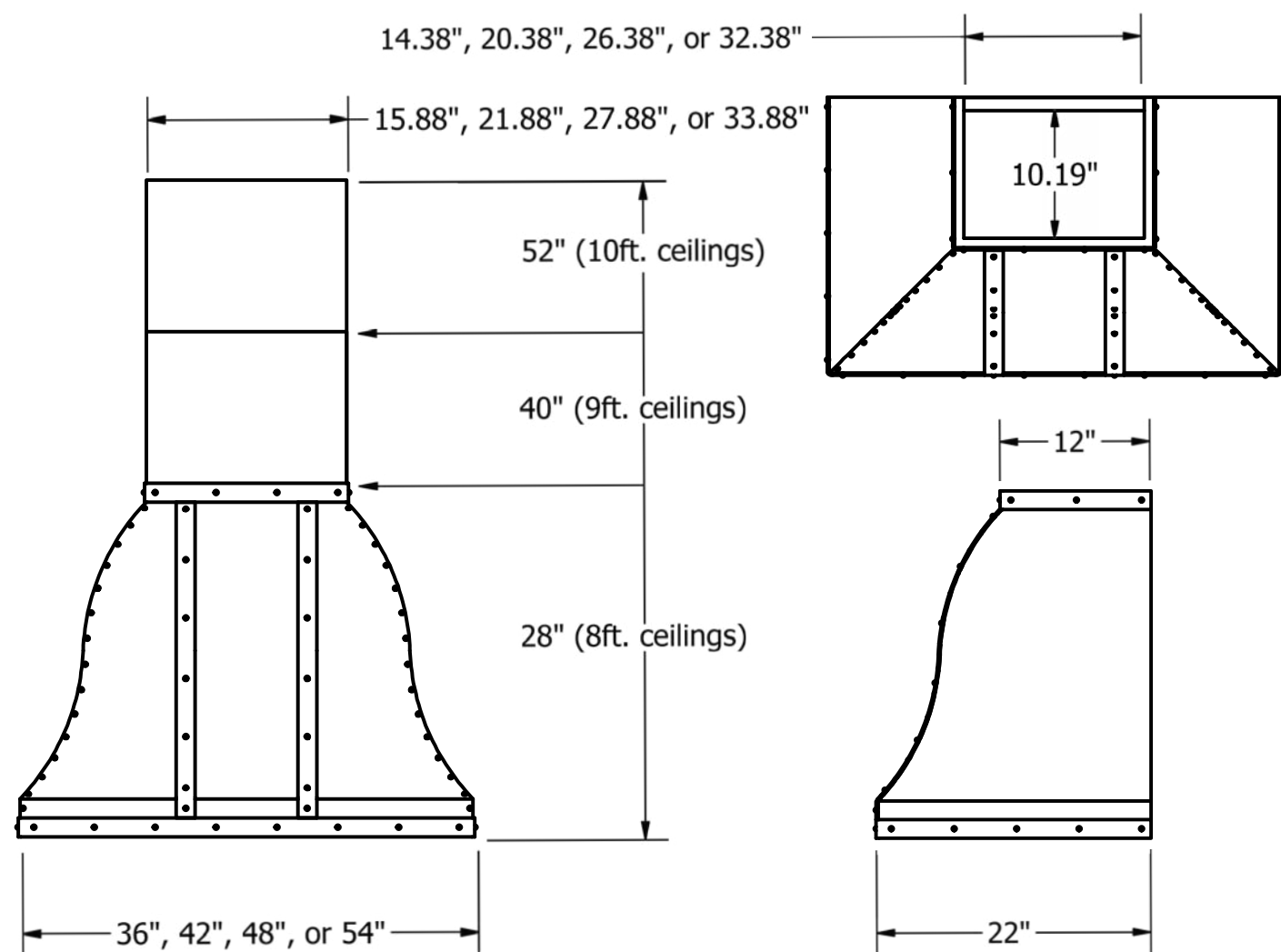
Transitional Angled - 36x22x28
Antique Brass

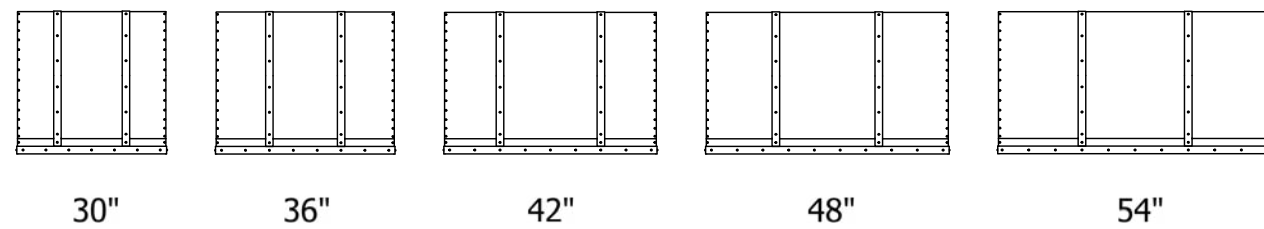
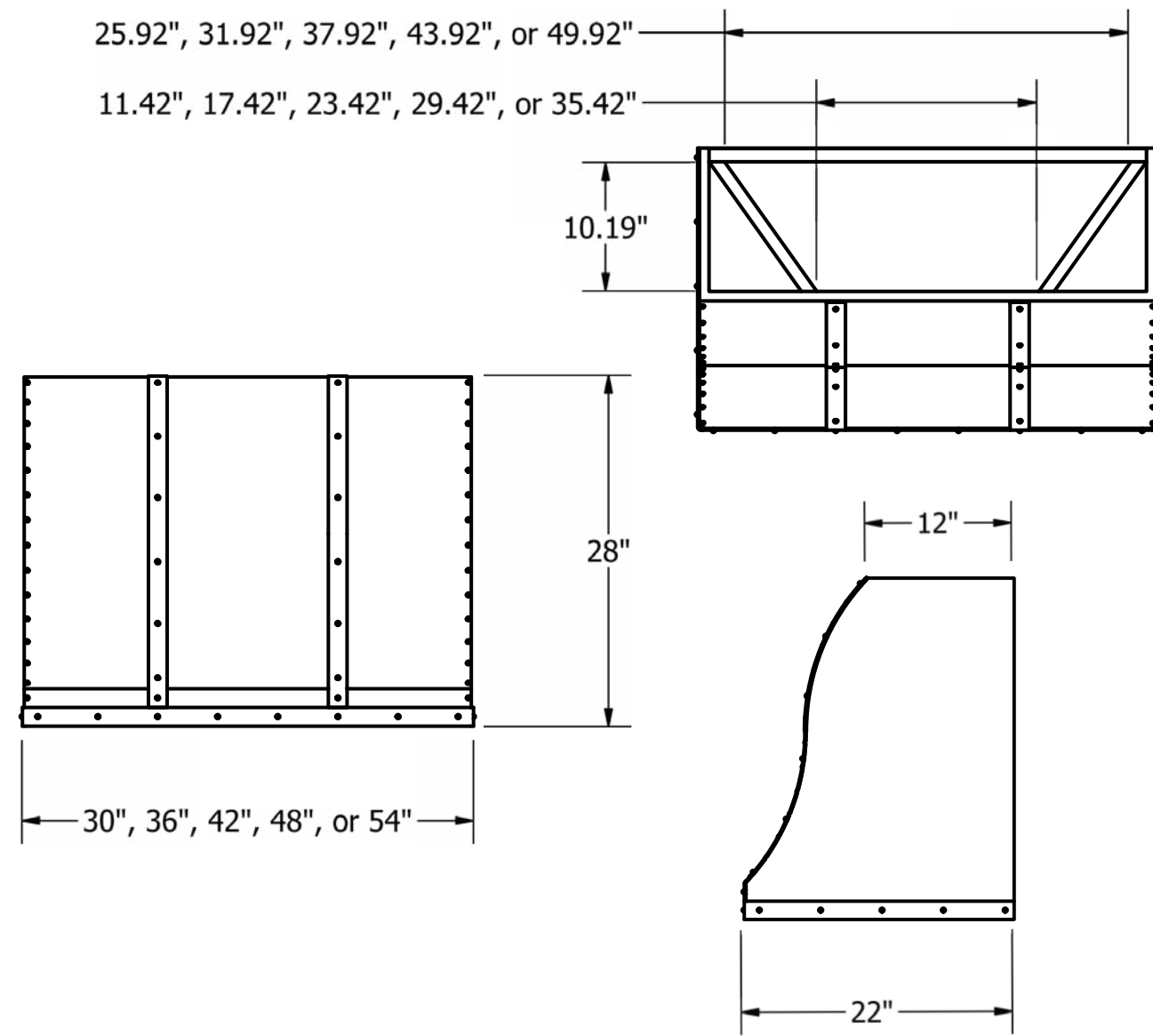
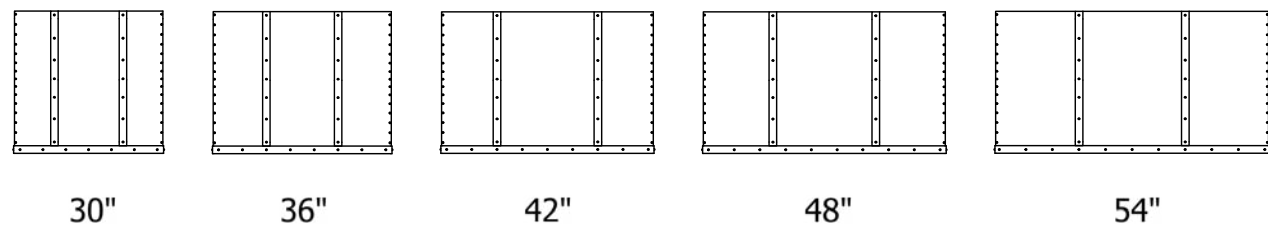
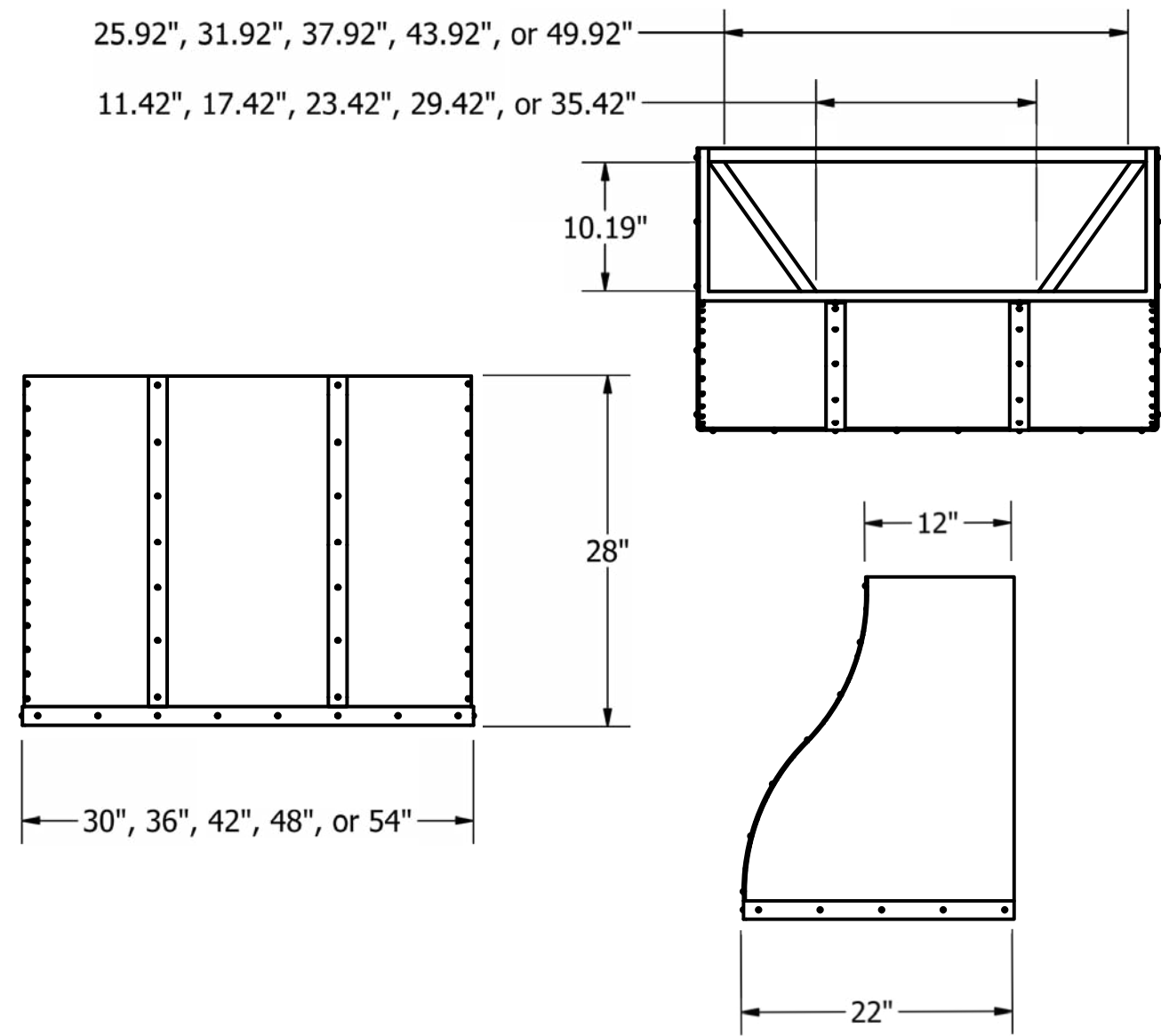
FEATURE: SLEEK STRAP DESIGN

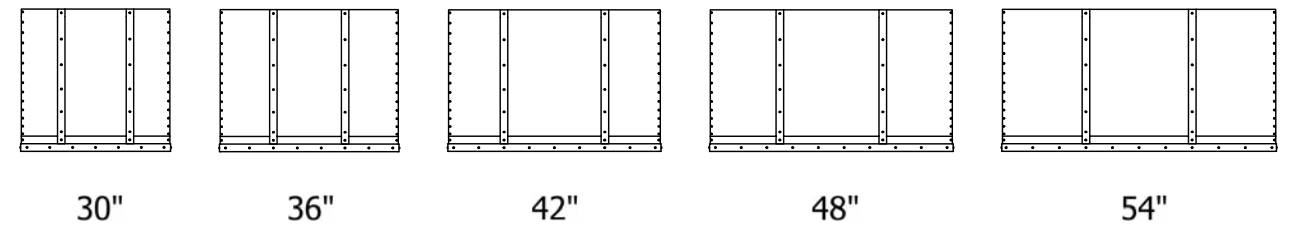
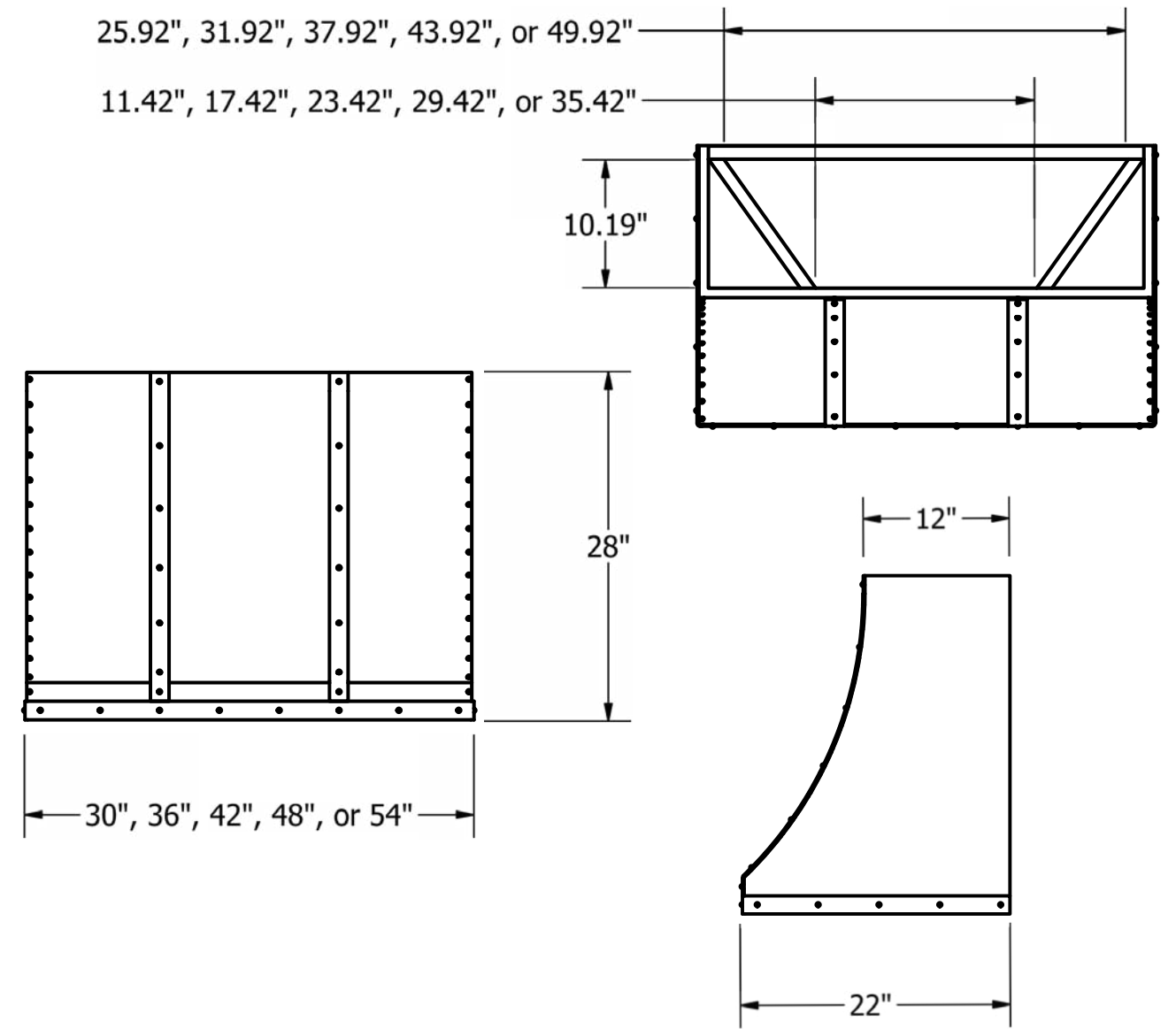
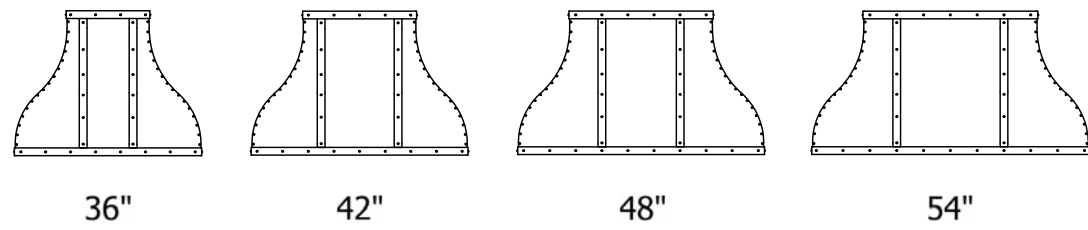
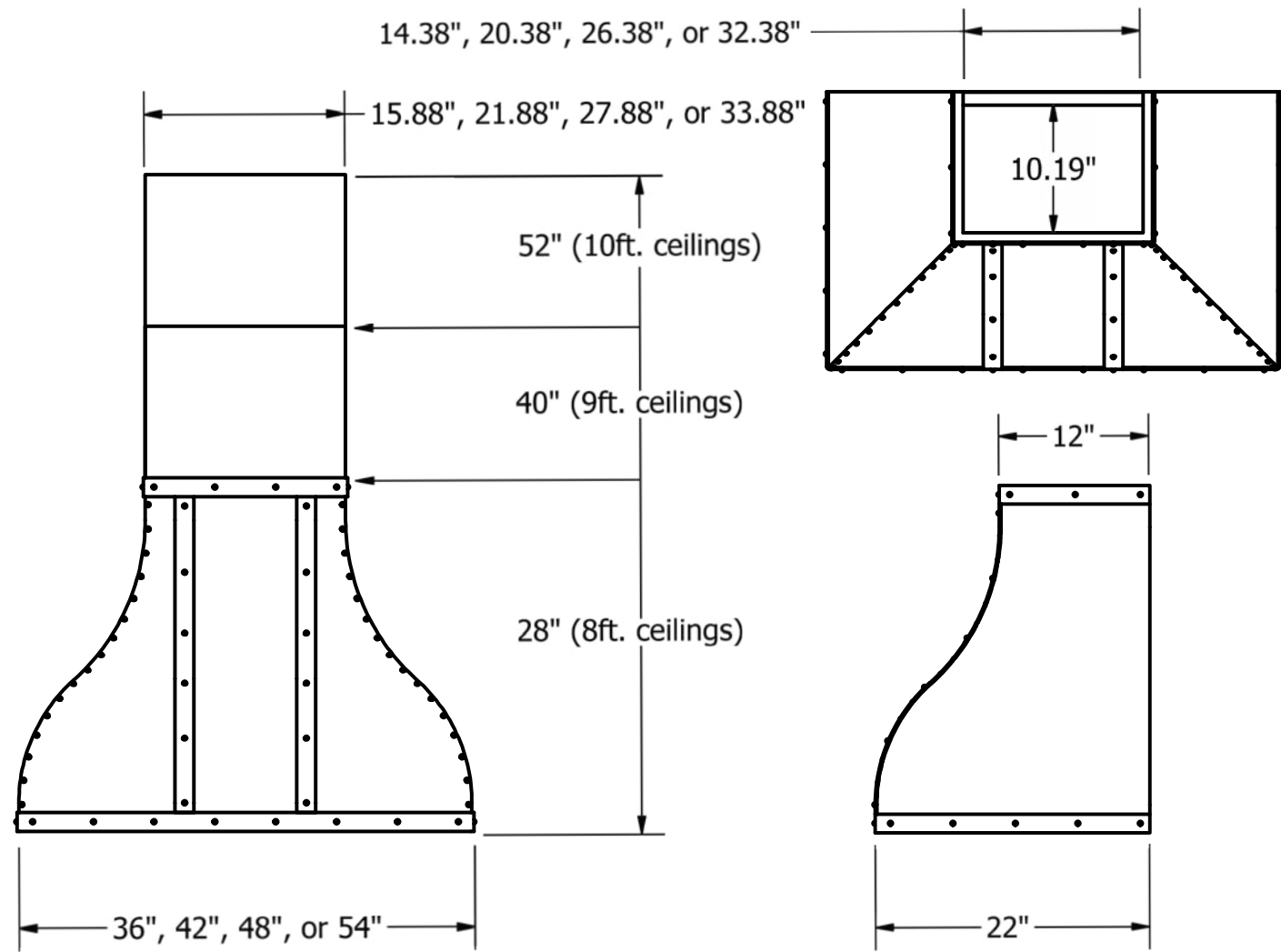


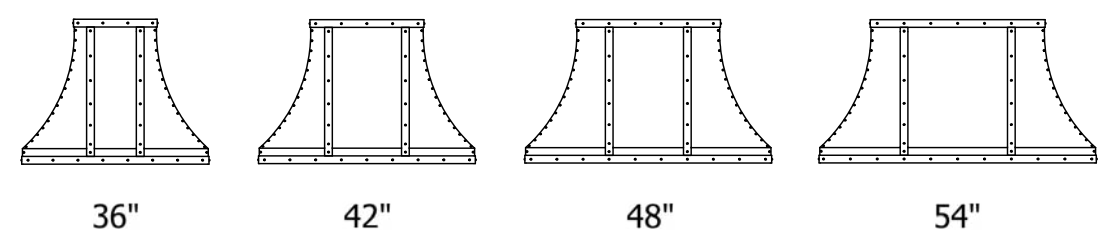
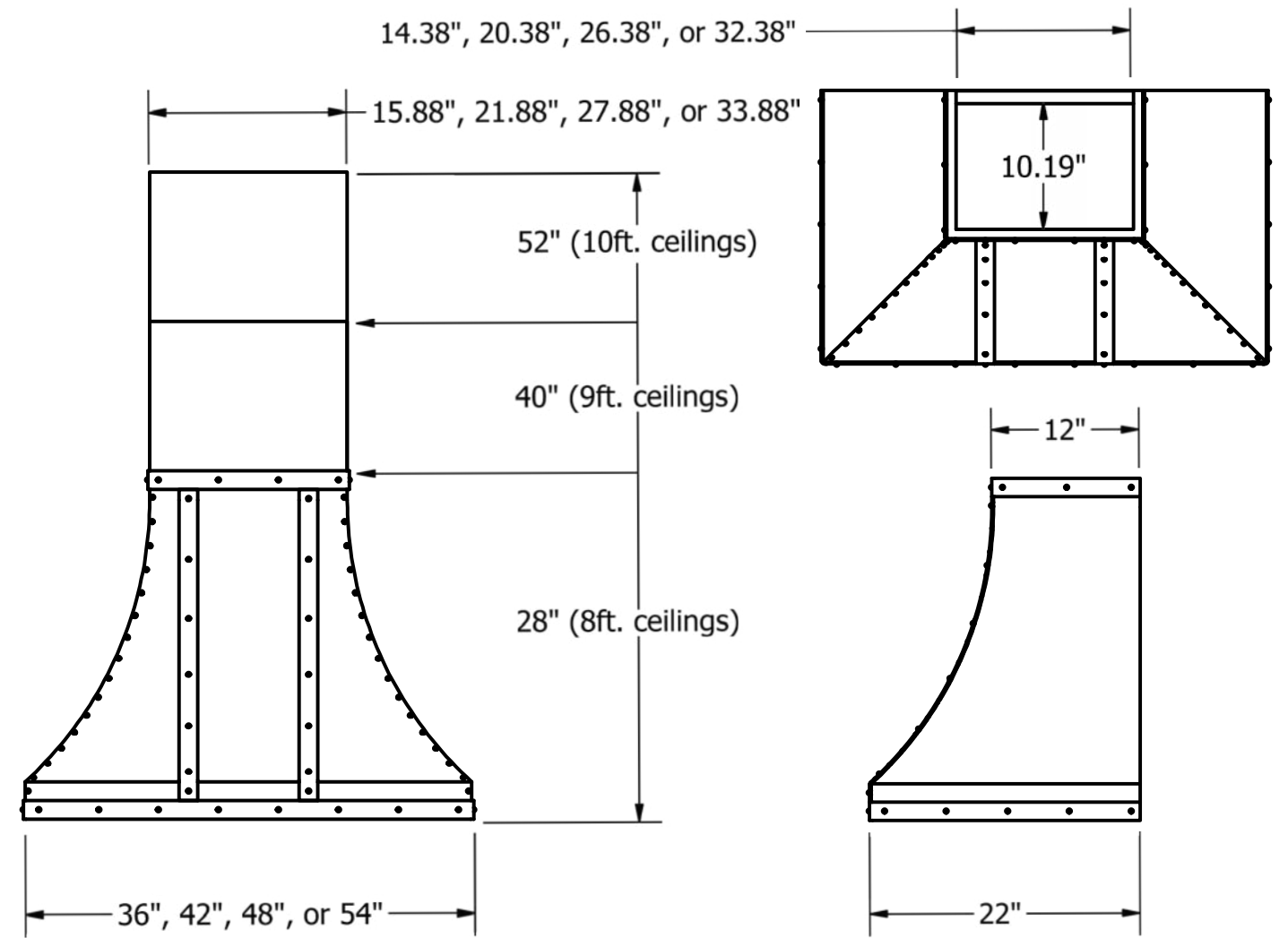
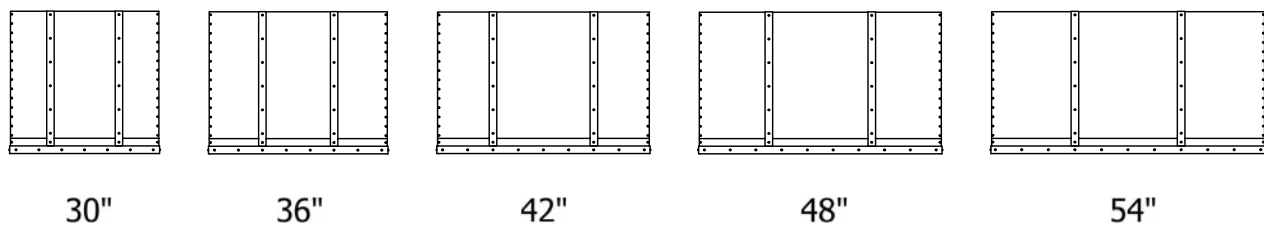
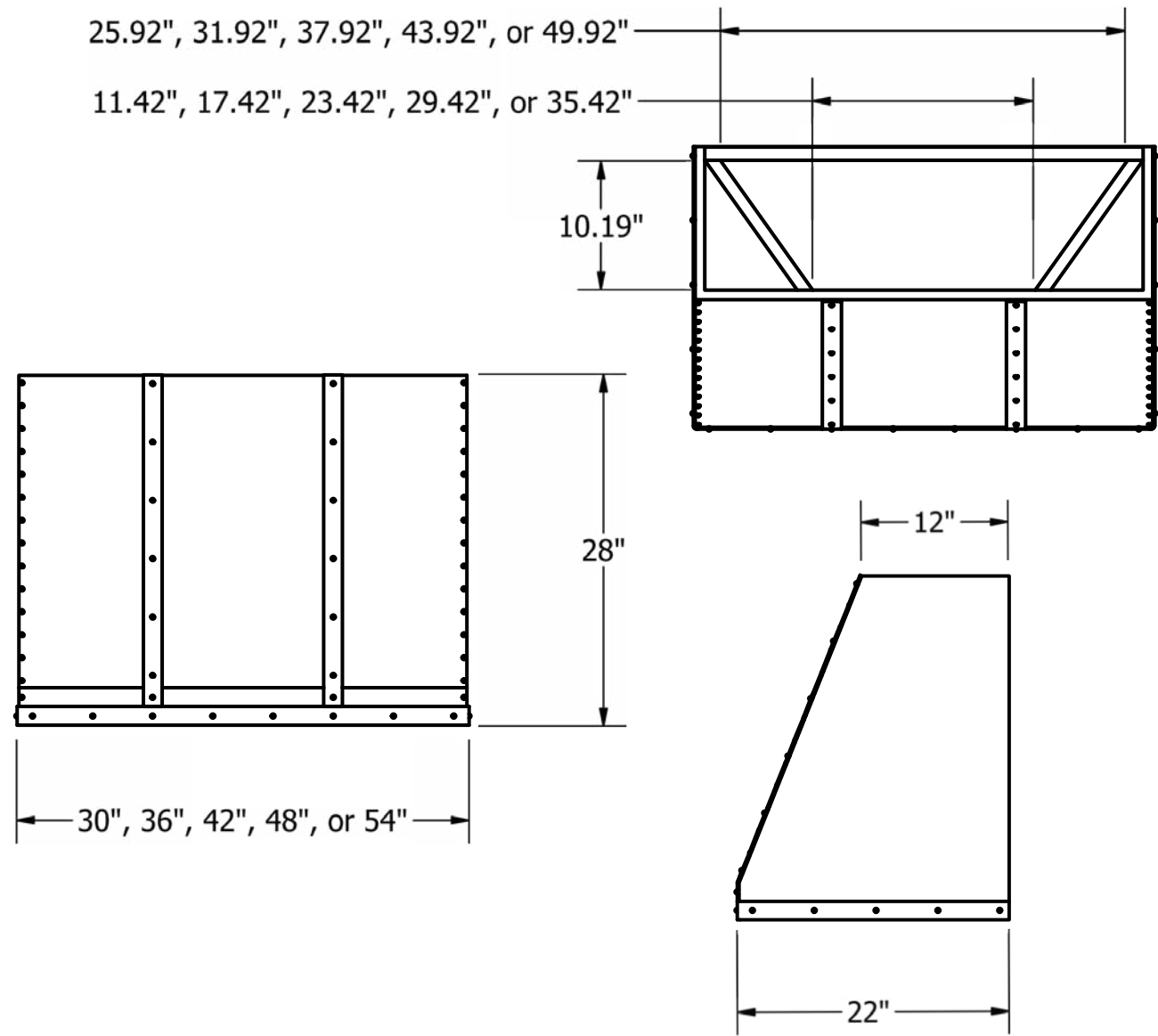
For metal finishes, please turn to page 45





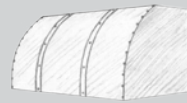




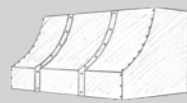


UNDER CABINET

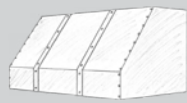
Fit just right. No one has ever walked into your kitchen and complimented your microwave. Now, there is finally a space efficient way to update your interior for a more elegant look.



BARREL

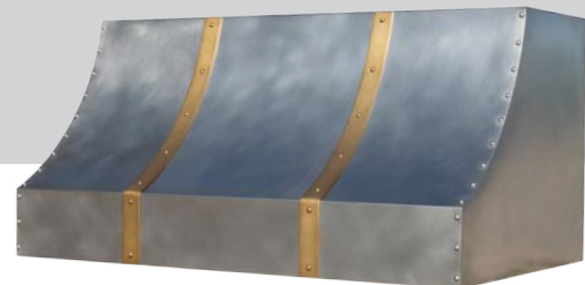


SLOPE



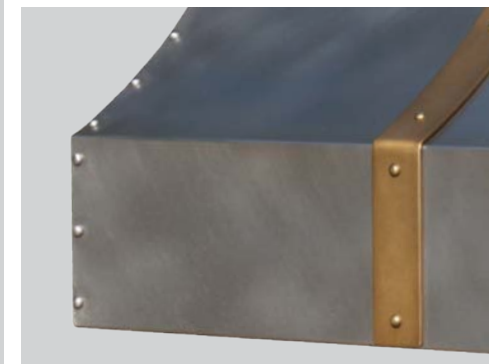
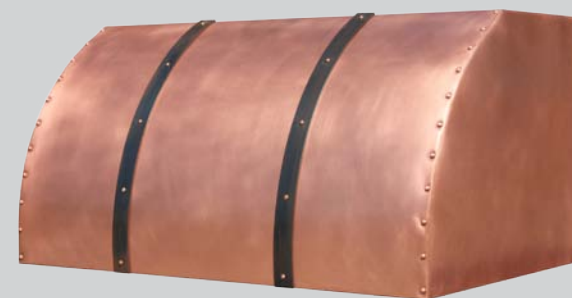
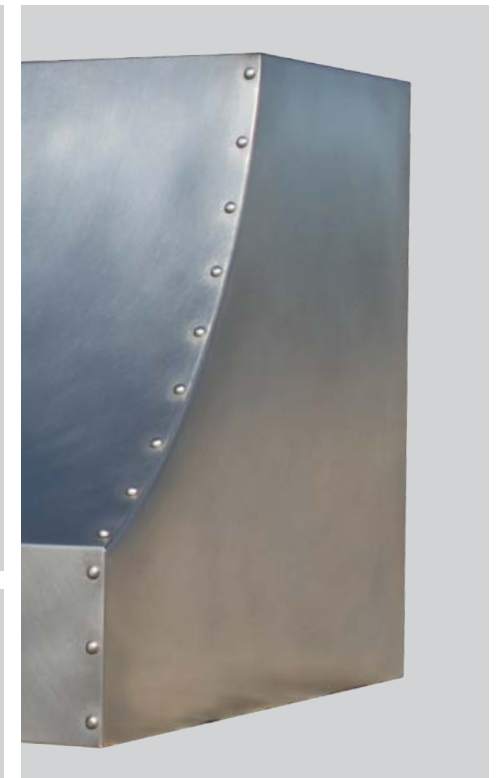
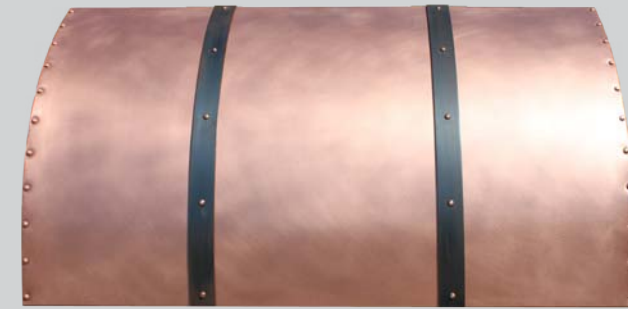
STRAIGHT

This series features 3 different body shapes, all sized to fit under your overhead cabinets. This hood series is the perfect option to give your kitchen a classic upgrade. The body and straps are available in the following materials: Brass, Copper, Stainless Steel, Steel, and Zinc.

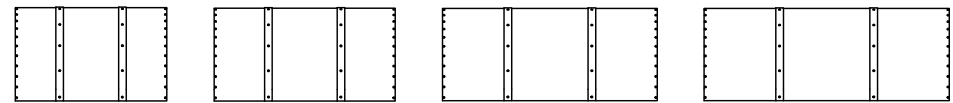
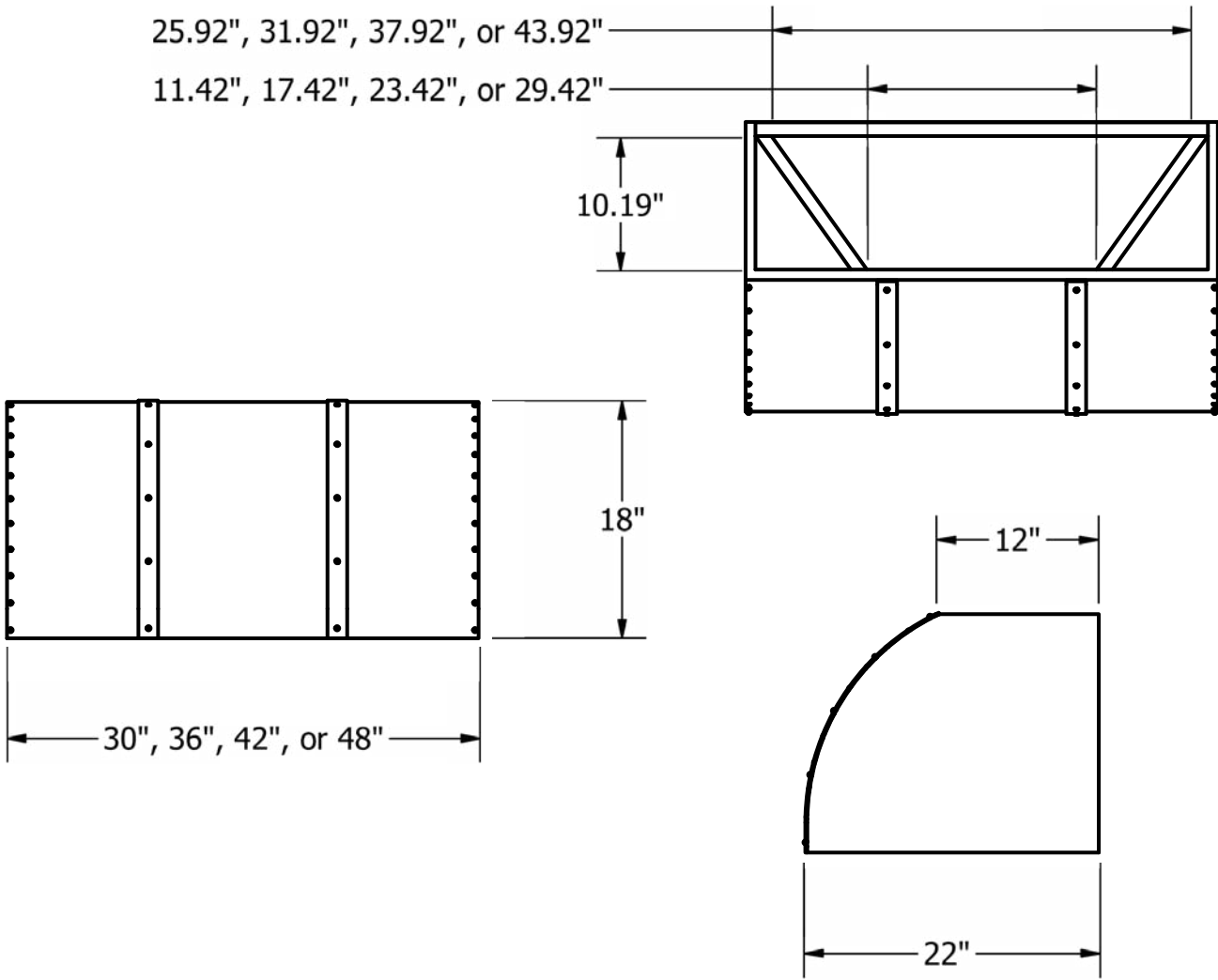


Under Cabinet Slope - 48x22x18
Natural Zinc

FEATURE: SIZED TO FIT



For metal finishes, please turn to page 45

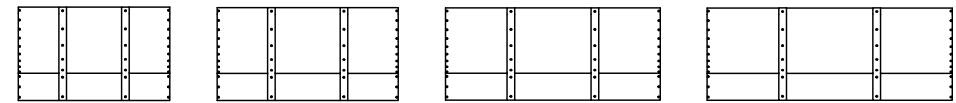
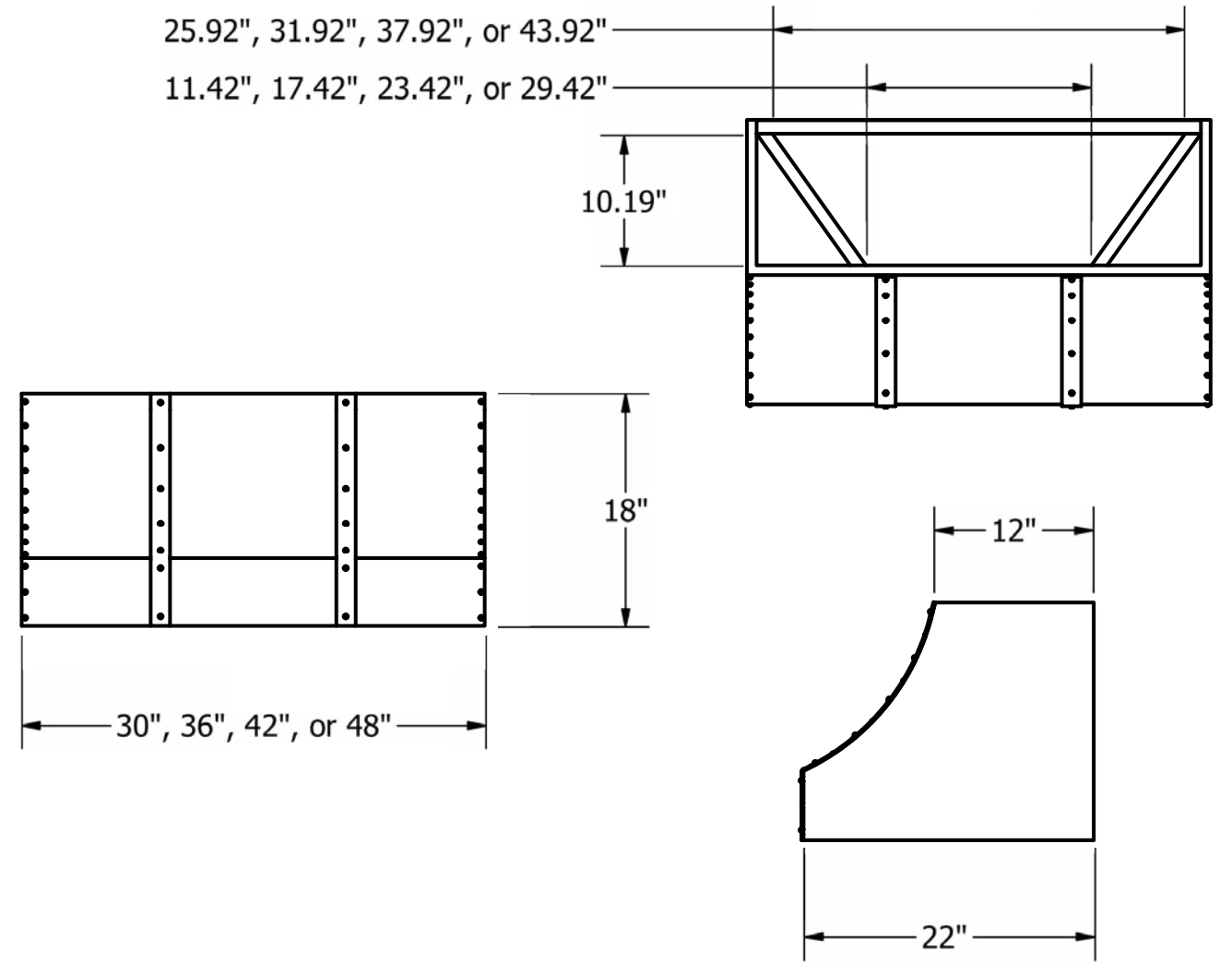


30"

36"

42"

48"

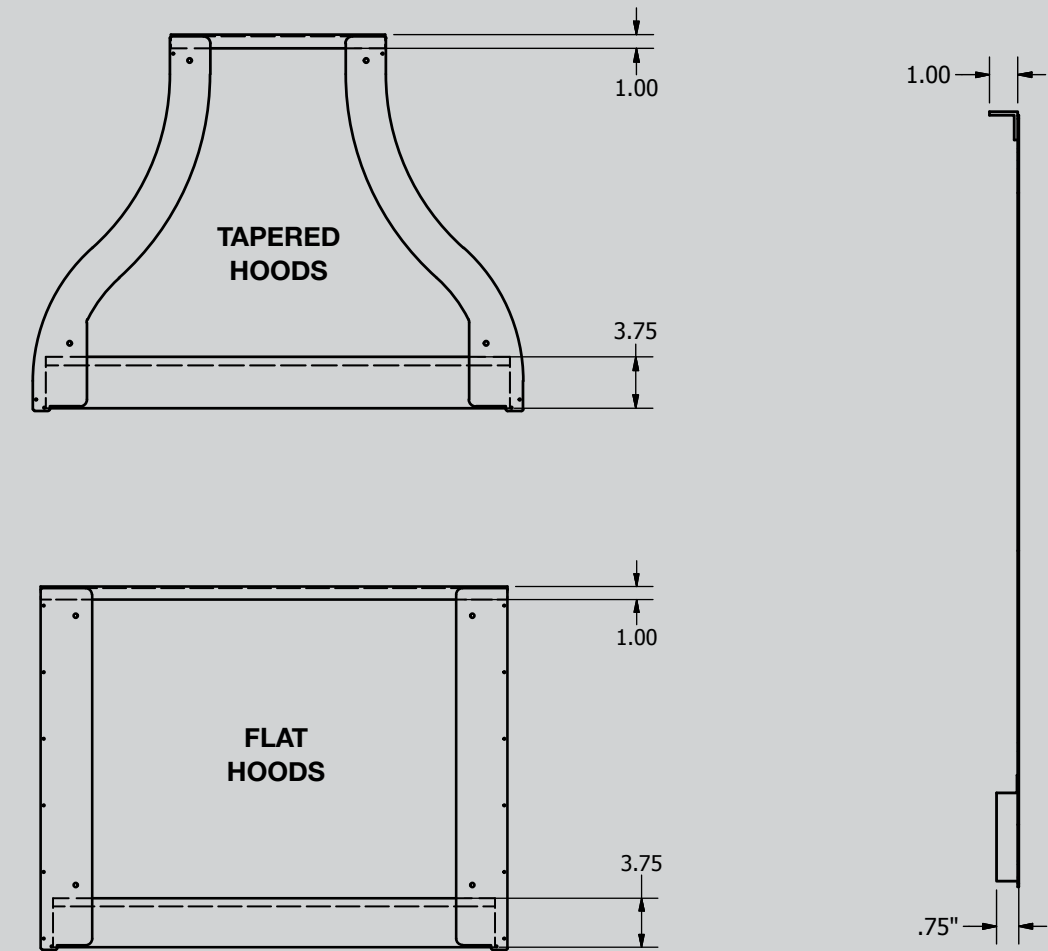
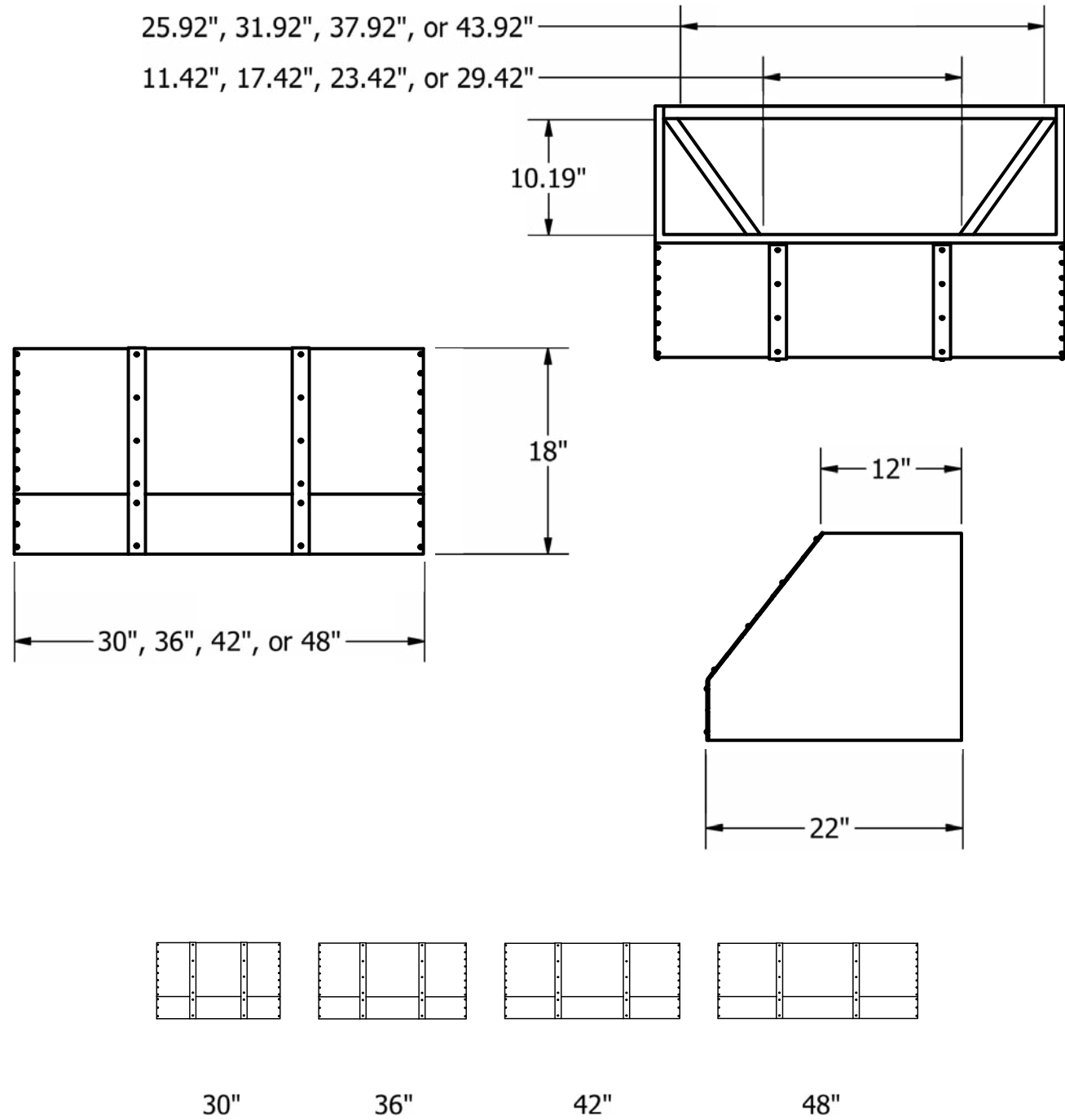


30"

36"

42"

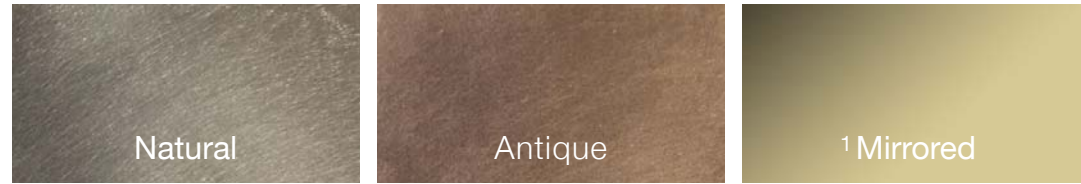
48"



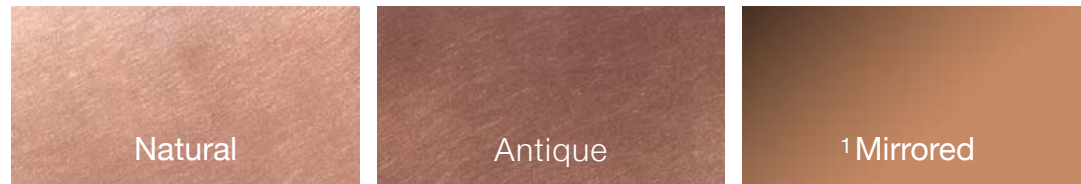
Haube hoods were designed to provide a flexible amount of space for a variety of ducting situations. Each one allows the options to duct through the top or back of the hood. This allows for more ducting options for an easier installation process. The sooner your hood is up, the sooner you can enjoy your thoughtfully crafted kitchen.

METAL FINISHES

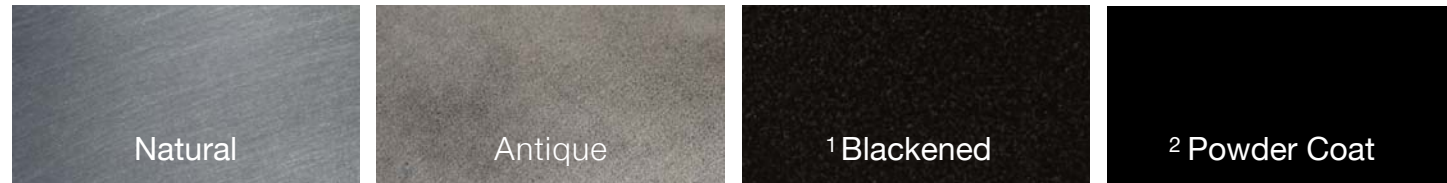
BRASS



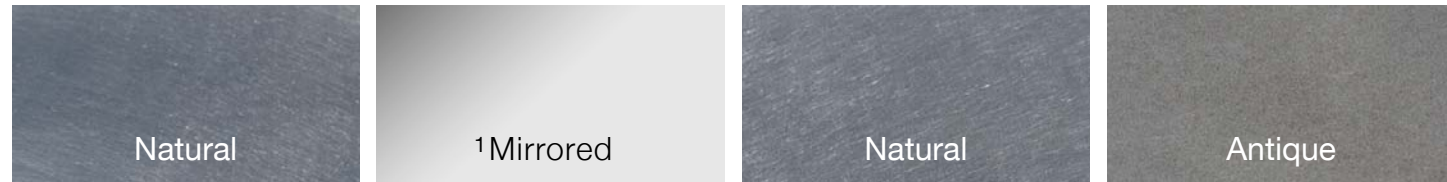
COPPER



STEEL



STAINLESS STEEL



TEXTURES



1) Mirrored Finish and Blackened Steel for accents only
2) To see available Powder Coat colors, please visit prismaticpowders.com

VENTILATION

Insert Options



Air Pro

Our 30" hoods come with this American made power pack. Just small enough to fit in a hood, but still offers a 290 CFM or 390 CFM pull. For more info and specs, please visit www.vmi-inc.net.



Faber Inca Pro Plus

Any hood 36" - 54" wide hood comes with this Italian beauty. It includes a wide variety of blower options and dishwasher safe baffle filters. For more info and specs, please visit www.faberonline.com.

Blower Options

Internal - Blower(s) located inside the fan system

Air Pro - Available in 290 or 390 CFM, **Faber Inca Pro Plus** - 300, 600, or 1200 CFM

Inline - Blower(s) located at an access point inside the home (example: attic)

Faber Inca Pro Plus - There are 14 different options in the range of 300 to 2000 CFM, please inquire about your needs for the appropriate inline blower.

External - Blower(s) located on roof or outside wall

Faber Inca Pro Plus - Available in 900 or 1200 CFM

1.812.202.3847

1944 EAST 1200 SOUTH
HAUBSTADT, IN 47639

HAUBEHOODS.COM