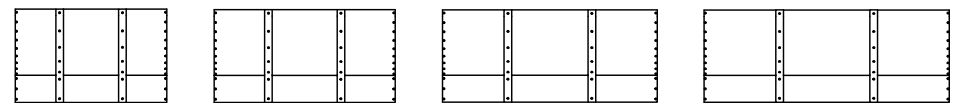
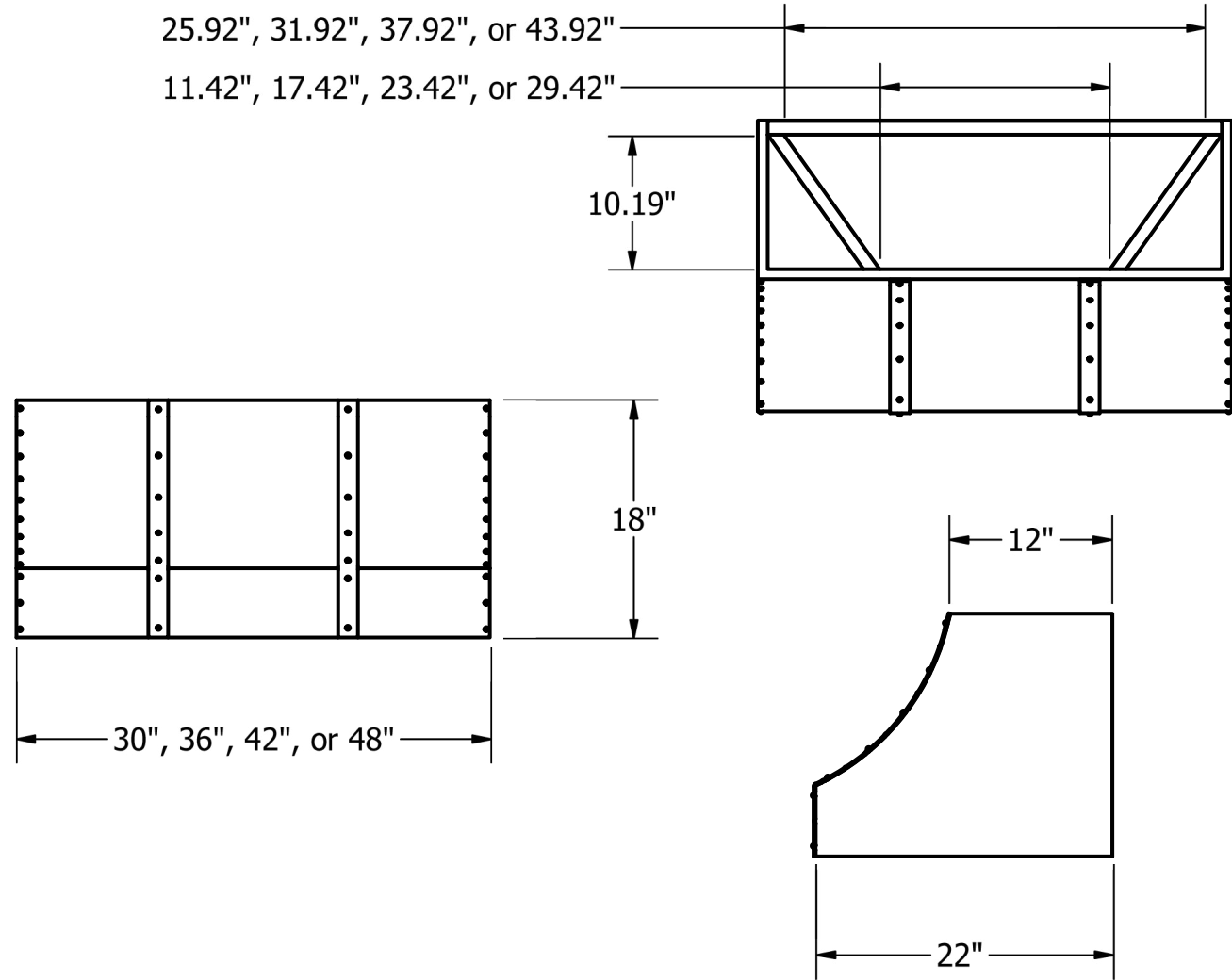


30"

36"

42"

48"

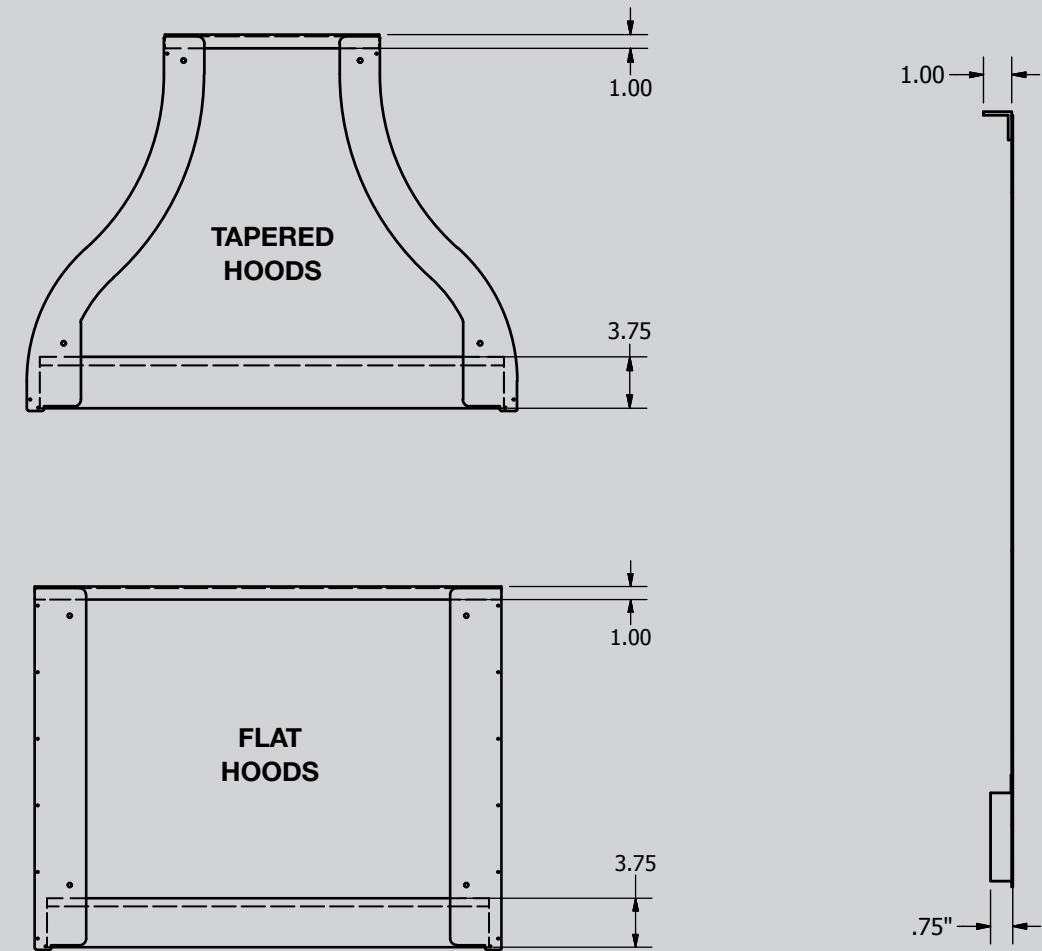
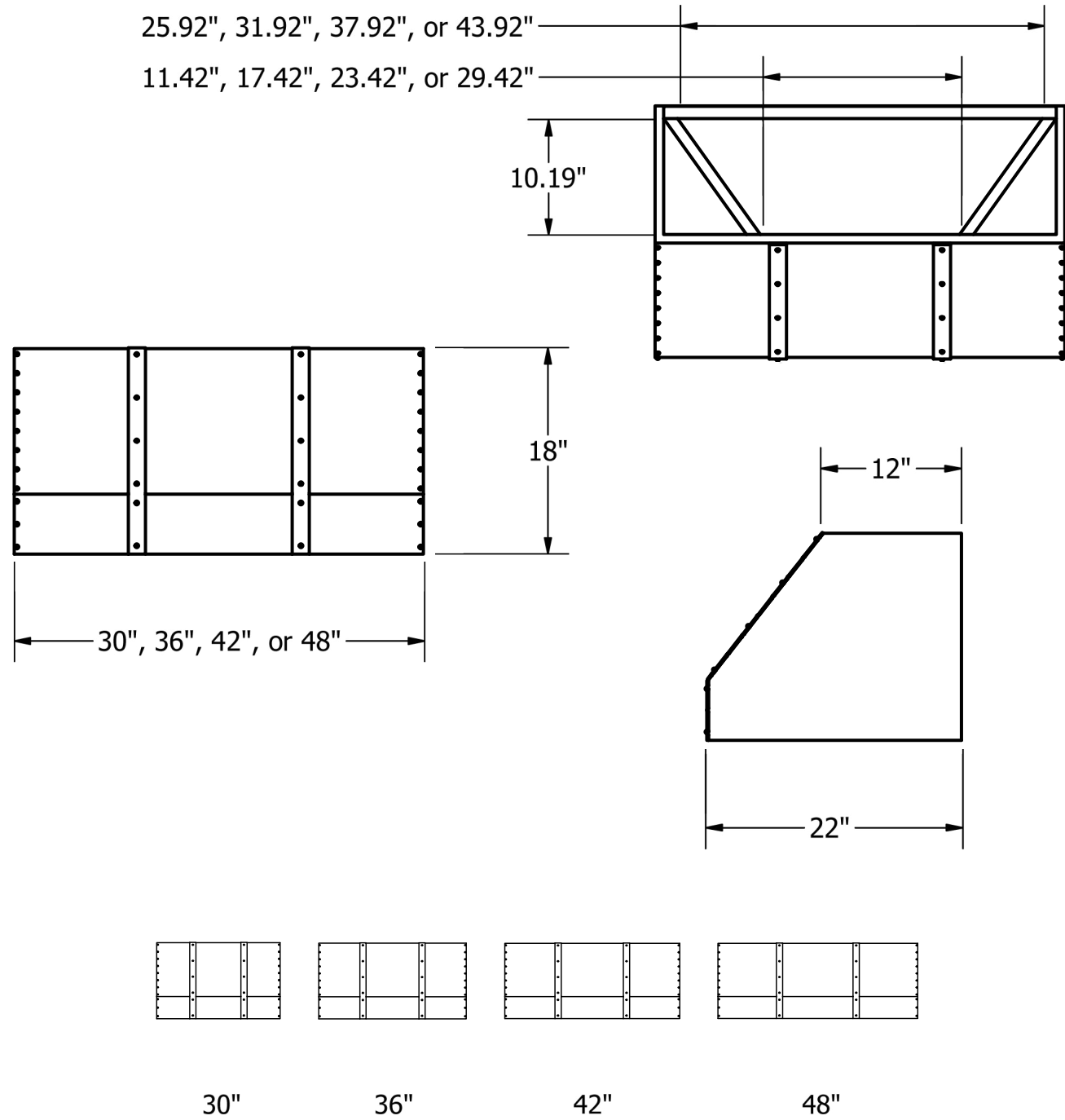


30"

36"

42"

48"



Haube hoods were designed to provide a flexible amount of space for a variety of ducting situations. Each one allows the options to duct through the top or back of the hood. This allows for more ducting options for an easier installation process. The sooner your hood is up, the sooner you can enjoy your thoughtfully crafted kitchen.